


Collection of wall mounted luminaires for exterior applications. Lift has an innovative optical system that produces pleasing graphic effects. By using a combination of flood or narrow spot beams, this luminaire offers limitless possibility of lighting effects.

<b>Luminaire characteristics:</b>	Power input system: 4W Lumens system for 3000K, 80CRI: 20lm to 38lm Luminaire efficacy for 3000K, 80CRI: Up to 5lm/W
<b>Source:</b>	LED module (LM-80 tested) 2700K: 80CRI, 3000K: 80CRI, 4000K: 80CRI.
<b>Lumen maintenance:</b>	80% of initial lumens at 70 000 hours (L80 B10) Ta 77° (25°) 80% of initial lumens at 50 000 hours (L80 B10) Ta 104° (40°)
<b>Optics:</b>	Narrow spot or flood.
<b>Material:</b>	Body: Die-cast aluminum Diffuser: Clear tempered glass. Methacrylate concentrating lens combined with a narrow beam shutter is used to achieve a blade of light effect. Hardware: Stainless steel screws and silicone gaskets
<b>Electrical:</b>	Universal high efficiency electronic LED driver rated at 50 000 hours, 120-277V.
<b>Dimming:</b>	0-10V (120-277V), down to 15%.
<b>Mounting:</b>	Install on a standard 4" octagonal junction box.
<b>Finish:</b>	Aluminum gray , black
<b>Weight:</b>	3.52lb (1.62kg).
<b>Warranty:</b>	5 year limited warranty.
<b>Ratings:</b>	IP65, IK06
<b>Certification:</b>	 cULus listed for wet location

**ORDERING INFO**

- UNV -

FIXTURE

**MODEL**

- S5067** - 3° Narrow spot       **S5077** - 43° Flood

**LED**

- H** - 2700K, 80CRI       **W** - 3000K, 80CRI       **N** - 4000K, 80CRI

**VOLTAGE**

- UNV** - 120-277V

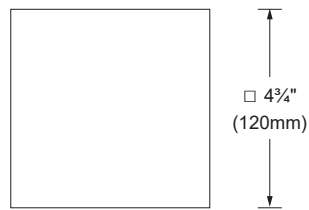
**FINISH**

- 09** - Black       **14** - Aluminum gray

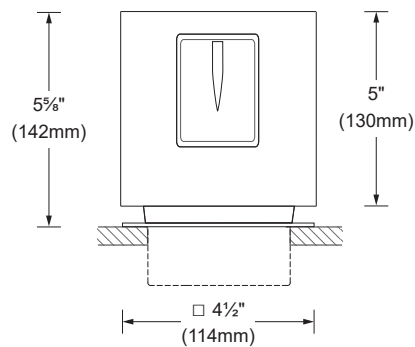
**DIMMING**

- D10** - 0-10V

**DIMENSIONS**



**FRONT VIEW**



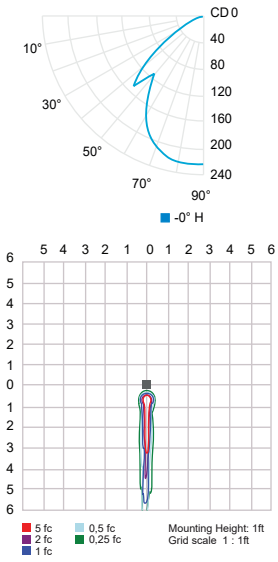
**BOTTOM VIEW**

**PHOTOMETRIC DATA**

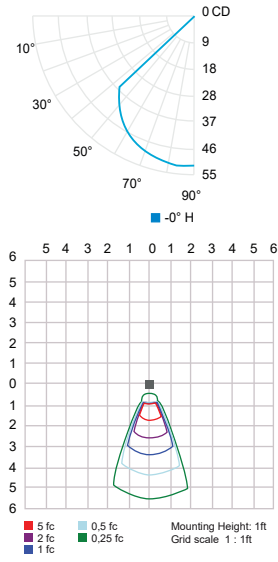
Visit [sistimalux.com](http://sistimalux.com) for complete photometric data.

CCT (K)	CRI	LOAD (W)	OPTIC	LUMENS (lm)	EFFICACY (lm / W)	MAX CANDELA (cd)	MODELS
3000K	80	3.5W	3° Narrow spot	20	5	236	S5067W
			43° Flood	38	10	54	S5077W

3° Narrow spot (3000K, 80CRI)



43° Flood (3000K, 80CRI)



CCT options	2700K	3000K	4000K
CRI options	80CRI	80CRI	80CRI
<b>Multiplier</b>	<b>0.94</b>	<b>1</b>	<b>1.07</b>