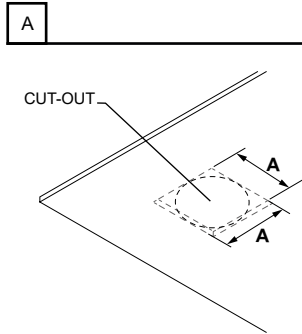


IMPORTANT - READ CAREFULLY BEFORE INSTALLING FIXTURE. RETAIN THESE INSTRUCTIONS FOR FUTURE REFERENCE. THIS PRODUCT MUST BE INSTALLED IN ACCORDANCE WITH THE NATIONAL ELECTRICAL CODE AND ALL APPLICABLE LOCAL CODES, BY A PERSON FAMILIAR WITH THE CONSTRUCTION AND OPERATION OF THE PRODUCT, AND THE HAZARDS INVOLVED. PROPER GROUNDING IS REQUIRED FOR SAFETY.

REMODEL INSTALLATION (RF)

A. MAKE THE CUT-OUT OPENING (SEE DIMENSIONS BELOW).



Model	Shape	Mounting	Trimless Kit	Cut-out Dimenions (A)	Ceiling Thickness	Clearance (H)	
						LOGP4	LOGP4H
LOGP4R LOGP4HR	Round	Trim		Ø4" (Ø100mm)	1/8" - 1" (1-25mm)	7 1/8" (180mm)	8 3/8" (207mm)
		Trimless Mud	TK-LOGP4RL-RF	Ø4 1/8" (Ø105mm)	1/8" - 1" (1-25mm)		
		Trimless Millwork	TK-LOGP4RM-RF		1/2" - 1" (12.5-25mm)		
LOGP4S LOGP4HS	Square	Trim		□3 1/8" (□97mm)	1/8" - 1" (1-25mm)		
		Trimless Mud	TK-LOGP4SL-RF	□3 3/8" (□99mm)	1/8" - 1" (1-25mm)		
		Trimless Millwork	TK-LOGP4SM-RF	□3 1/8" (□97mm)	1/2" - 1" (12.5-25mm)		

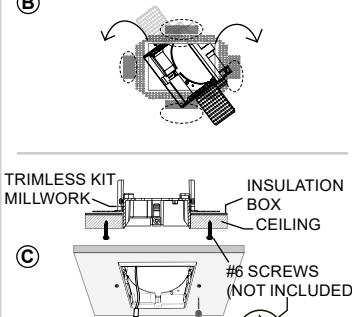
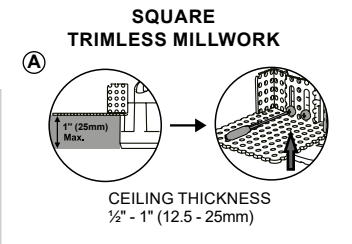
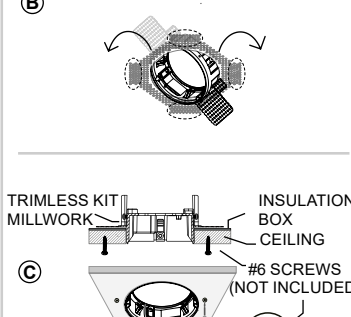
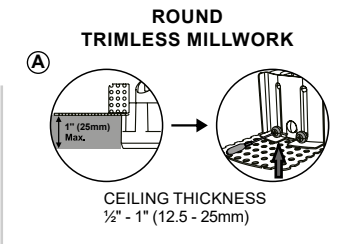
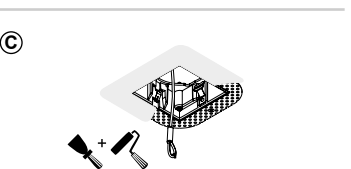
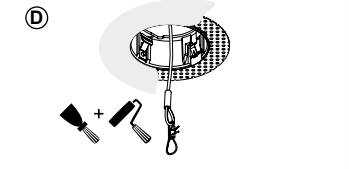
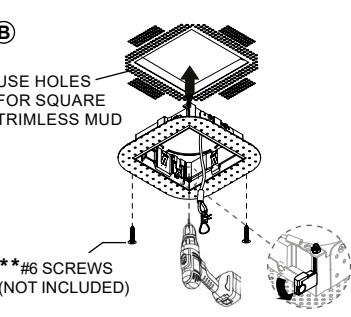
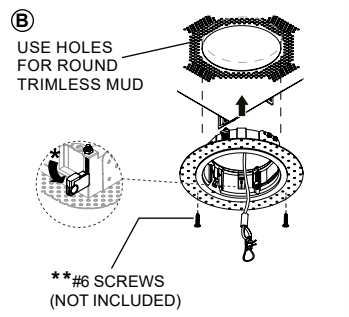
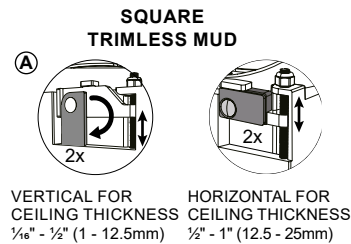
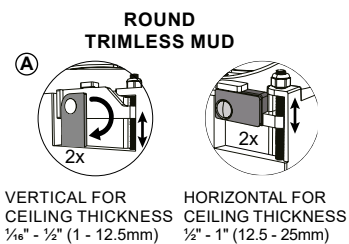
TRIMLESS KIT INSTALLATION (if applicable)

ROUND / SQUARE TRIMLESS MUD:

- CHOOSE THE BRACKET DIRECTION (VERTICAL OR HORIZONTAL) DEPENDING ON THE CEILING THICKNESS.
- INSERT THE TRIMLESS KIT INTO THE CEILING. TO HOLD THE KIT IN THE CEILING, ADJUST THE (2X) FIXATION BRACKET ADJUSTMENT SCREWS WITH A DRILL (**RECOMMENDED**).
* THE BRACKETS WILL OPEN AUTOMATICALLY WHILE SCREWING.
** FOR BETTER FIXATION (**IF NEEDED**), SECURE THE TRIMLESS KIT TO THE CEILING USING (2X) #6 SCREWS (**NOT INCLUDED**)
- FINISH THE ASSEMBLY BY PLASTERING, SANDING AND PAINTING.

ROUND / SQUARE TRIMLESS MILLWORK:

- ADJUST BRACKET POSITION DEPENDING ON THE CEILING THICKNESS.
- POSITION THE TRIMLESS KIT IN THE CEILING
- SECURE THE TRIMLESS KIT TO THE CEILING USING (2X) #6 SCREWS (**NOT INCLUDED**).
- FINISH THE ASSEMBLY BY PLASTERING, SANDING AND PAINTING.



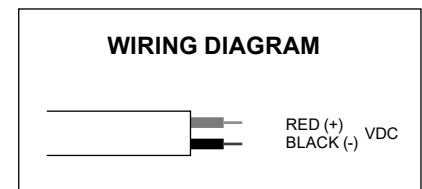
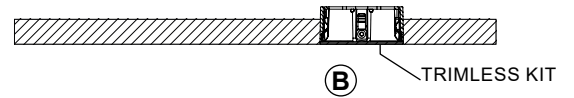
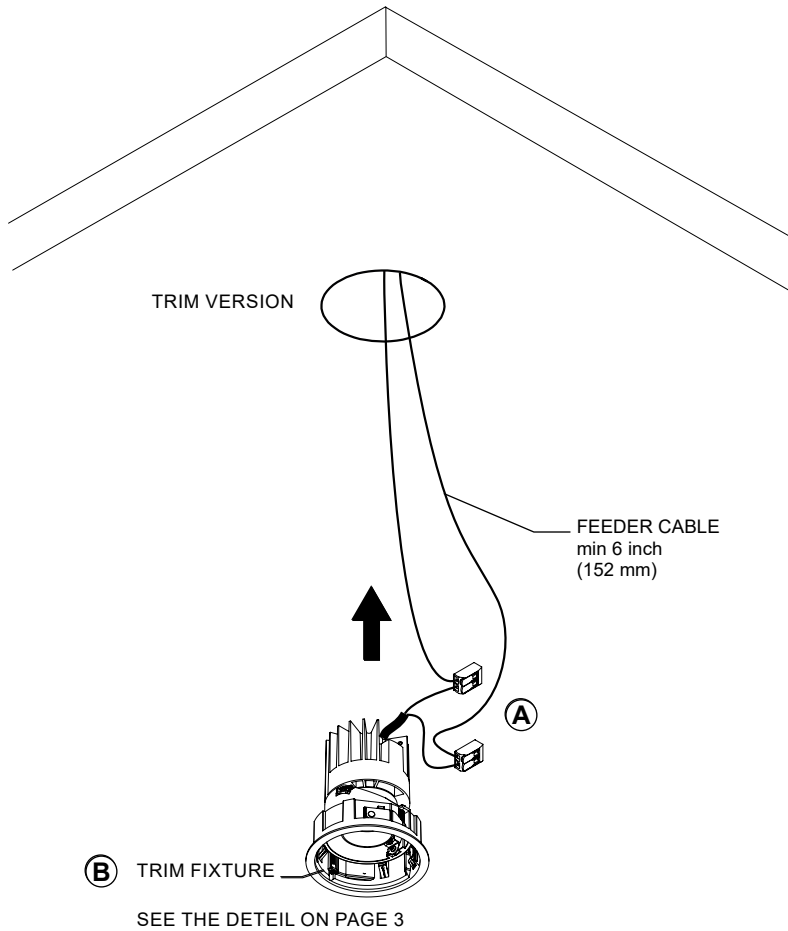
FIXTURE INSTALLATION

PAGE 2-4

- A. MAKE ALL NECESSARY CONNECTIONS USING THE QUICK CONNECTORS (INCLUDED).
- B. SEE THE DETAIL ON PAGE 5 FOR EACH CONFIGURATION.

A + B

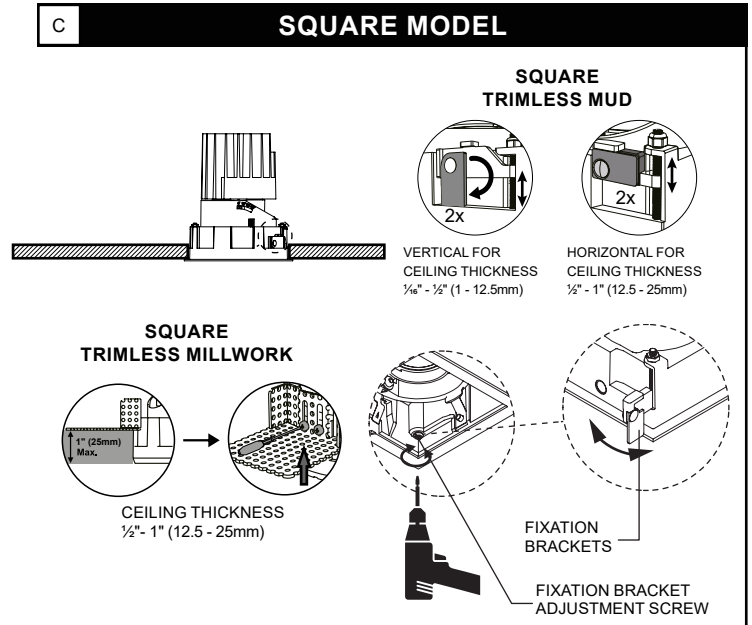
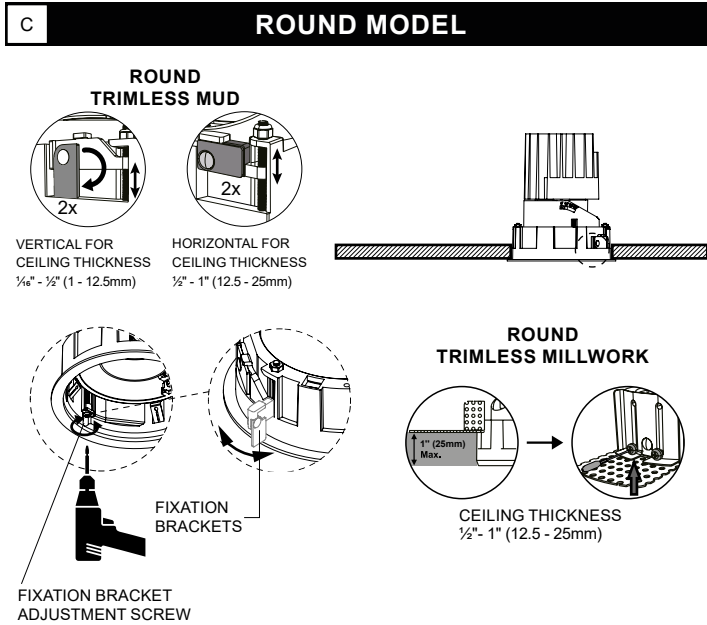
FEED BY CLASS 2 POWER SUPPLY



TRIM VERSION (ROUND / SQUARE)

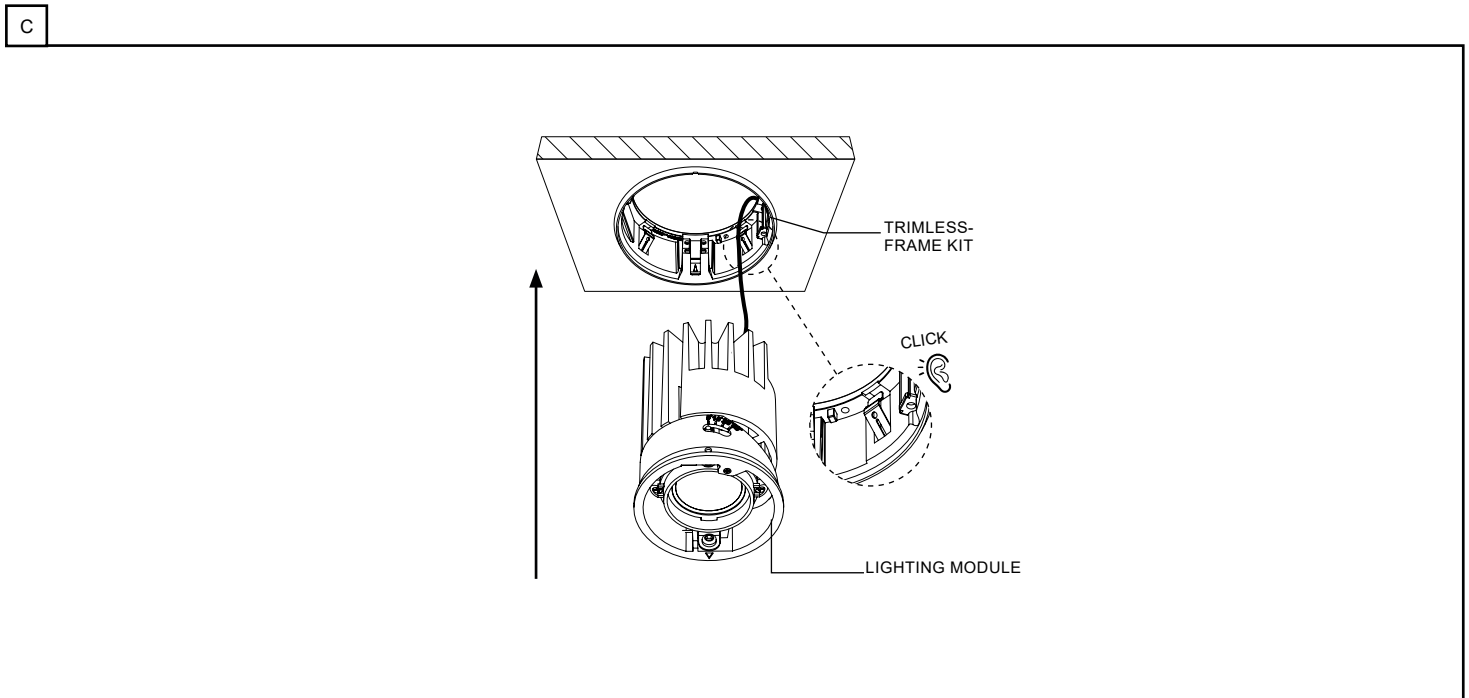
C. CHOOSE THE BRACKET DIRECTION (**VERTICAL OR HORIZONTAL**) DEPENDING ON THE CEILING THICKNESS. INSERT THE TRIM KIT INTO THE CEILING. TO HOLD THE KIT IN THE CEILING, ADJUST THE **(2X)** FIXATION BRACKET ADJUSTMENT SCREWS WITH A DRILL (**RECOMMENDED**).
* THE BRACKETS WILL OPEN AUTOMATICALLY WHILE SCREWING.

C. CHOOSE THE BRACKET DIRECTION (**VERTICAL OR HORIZONTAL**) DEPENDING ON THE CEILING THICKNESS. INSERT THE TRIM KIT INTO THE CEILING. TO HOLD THE KIT IN THE CEILING, ADJUST THE **(2X)** FIXATION BRACKET ADJUSTMENT SCREWS WITH A DRILL (**RECOMMENDED**).
* THE BRACKETS WILL OPEN AUTOMATICALLY WHILE SCREWING.



TRIMLESS VERSION (ROUND / SQUARE – THE INSTALLATION DETAIL ON PAGE 1)

* ENSURE THE TRIMLESS KIT IS PROPERLY INSTALLED (SEE PAGE 1)
* FOLLOWING STEPS **A** TO **B** FROM PREVIOUS PAGE
C. INSERT LIGHTING MODULE INTO THE FRAME KIT UNTIL IT CLICKS IN PLACE.



OPTICAL ADJUSTMENT AND FINAL ASSEMBLY

- A. THE OPTICAL ORIENTATION CAN BE MANUALLY ADJUSTED UP TO 30°(IF NECESSARY).
- B. INSERT THE BAFFLE INTO THE TRIM UNTIL IT CLICKS SECURELY INTO PLACE.

