

Ceiling mounted luminaire with excellent light control characteristics, gives improved lighting design solutions and precision with glare-free effects outside the declared angle of light emission.

**Luminaire characteristic:**

**Power input:** 21.5W  
**Lumens:** 1 269lm (for 3000K, 90CRI)  
**Luminaire efficacy:** 59lm/W

**Source:** White LED (LM-80),  
2700K: 90CRI,  
3000K: 90CRI,  
4000K: 90CRI.  
**Lumen maintenance:** 70% of initial lumens at 50 000 hours (L80)(LM-79)

**Optic:** Available in flood.

**Material:** Body and End caps: Die-cast aluminum  
Reflector: 99.98% pure anodized aluminum  
Diffuser: Clear toughened glass  
Hardware: Stainless steel screws and silicone gasket.

**Mounting:** Installed on standard 4" octagonal junction box.

**Electrical:** Integral high efficiency LED driver, rated at 50 000 hours. 120V-277V.

**Dimming:** Down to 10%, 0-10V (120-277V).

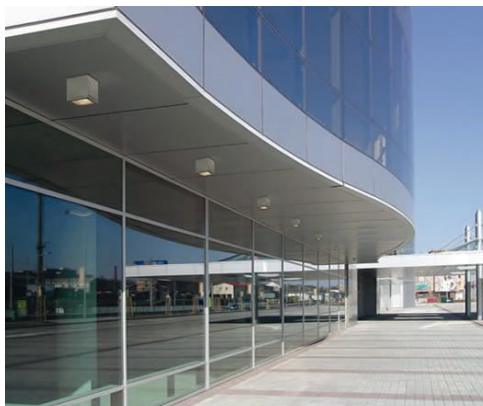
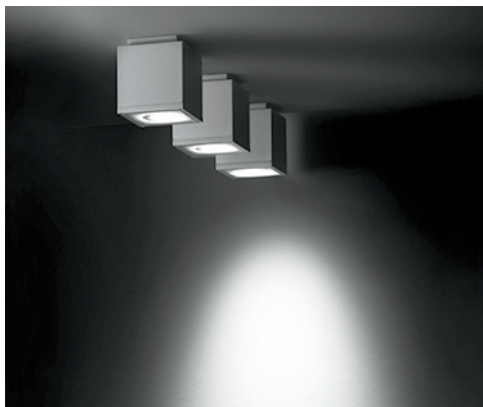
**Finish:** White, aluminum gray or anthracite gray (RAL7022) painted finish, following a double powder paint in 3 step process: surface treatment containing ceramic nano particles (Bonderite). Epoxy primer paint. Polyester powder paint with high resistance against UV rays and harsh weather conditions.

**Weight:** 7lb (3.19kg)

**Warranty:** 5 year limited warranty.

**Ratings:** IP65, IK06

**Certification:**  cULus listed for wet location.



**ORDERING INFO**

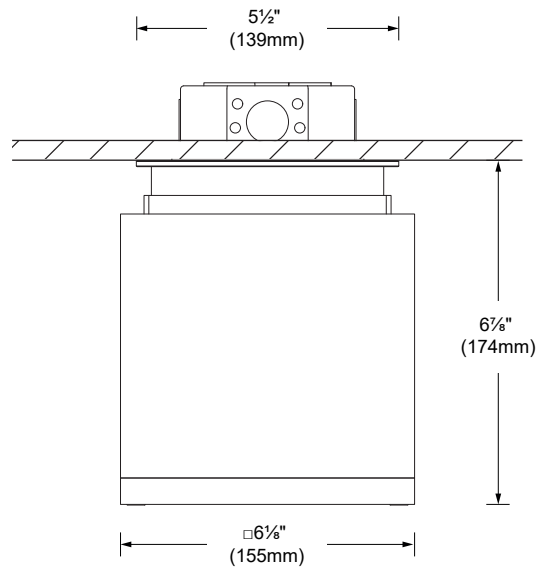


PRODUCT CODE

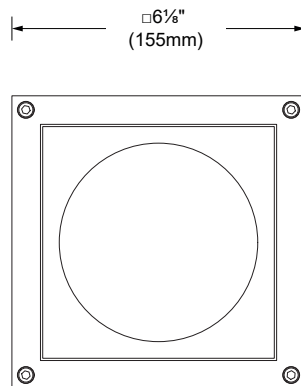
--	--	--	--	--

MODEL	LED	VOLTAGE	FINISH	DIMMING
<b>S6675</b> FLOOD 31°	<b>H</b> 90 CRI, 2700K	<b>UNV</b> 120-277V	<b>01</b> WHITE	<b>D10</b> 0-10V (down to 10%)
	<b>W</b> 90 CRI, 3000K		<b>14</b> ALUMINIUM GRAY	
	<b>N</b> 90 CRI, 4000K		<b>24</b> ANTHRACITE GRAY	

**DIMENSIONS**



**SIDE VIEW**



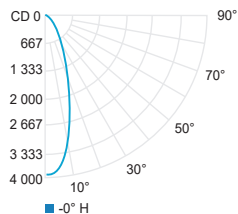
**BOTTOM VIEW**

**PHOTOMETRIC DATA**

Visit [sistimalux.com](http://sistimalux.com) for complete photometric data.

CCT (K)	CRI	LOAD (W)	OPTIC	LUMENS (lm)	EFFICACY (lm/w)	MAX CANDELA (cd)	MODELS
3000K	90	21.5W	Flood 31°	1 269	59	3 942	S6675W

Flood 31° (3000K, 90CRI)



	Center beam fc	Beam width ft
2ft	986	1.1
4ft	246	2.2
6ft	110	3.3
8ft	61.6	4.4
10ft	39.4	5.4
12ft	27.4	6.5

CCT options	2700K	3000K	4000K
CRI options	90CRI	90CRI	90CRI
<b>Multiplier</b>	<b>0.99</b>	<b>1</b>	<b>1.06</b>