



Collection of bollards for commercial and institutional applications.

Exceptional European build quality with high corrosion resistant finish. Robust marine grade die-cast aluminum construction with stainless steel fasteners and factory sealed micro-prismatic glass diffuser.

Luminaire characteristic:	Power input system: 5W Lumens system for 3000K, 90CRI : 279lm Luminaire efficacy for 3000K, 90CRI: Up to 55lm/W
Source:	White LED (LM-80), 2700K: 90CRI, 3000K: 90CRI, 4000K: 80CRI.
Lumen maintenance:	80% of initial lumens at 70 000 hours (L80 B10) Ta 77°F (25°C) 80% of initial lumens at 50 000 hours (L80 B10) Ta 104°F (40°C)
Optic:	Accent light optic.
Material:	Body: Die-cast aluminum Diffuser: Tempered glass.
Mounting:	Install with flange accessory or fasten to ground. Supplied with 3ft (1m) of the power cable.
Electrical:	Integral high efficiency LED driver, rated at 50 000 hours, 120V/277V.
Dimming:	0-10V (120-277V), down to 15%.
Finish:	White painted (RAL9003), aluminum gray or burnished bronze.
Weight:	S7212: 3.7lb (1.7kg) S7213: 5.5lb (2.5kg)
Warranty:	5 year limited warranty.
Ratings:	IP65
Certification:	cULus listed for wet location.



## ORDERING INFO



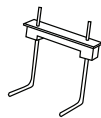
PRODUCT CODE

MODEL	LED	VOLTAGE	FINISH	DIMMING
<b>S7212</b> 8 <sup>3</sup> / <sub>16</sub> " (220mm)	<b>H</b> 2700K, 90CRI	<b>UNV</b> 120-277V	<b>01</b> White <input type="checkbox"/>	<b>D10</b> 0-10V
<b>S7213</b> 17 <sup>3</sup> / <sub>4</sub> " (450mm)	<b>W</b> 3000K, 90CRI		<b>14</b> Aluminium Gray <input type="checkbox"/>	
	<b>N</b> 4000K, 80CRI		<b>20</b> Burnished bronze <input type="checkbox"/>	

## MOUNTING ACCESSORIES

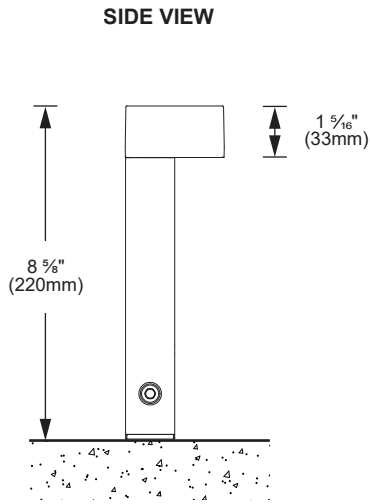
(TO BE ORDERED SEPARATELY)

- S7219** - Flange with stainless steel screws  
4<sup>13</sup>/<sub>16</sub>" x 1<sup>1</sup>/<sub>4</sub>" x 9<sup>1</sup>/<sub>4</sub>"  
(122 x 33 x 235mm)

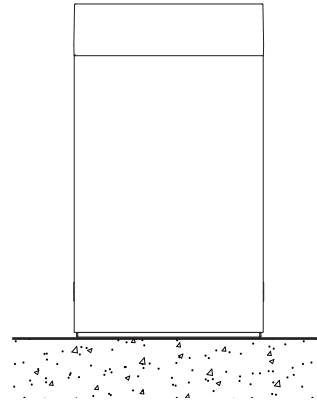


**DIMENSIONS**

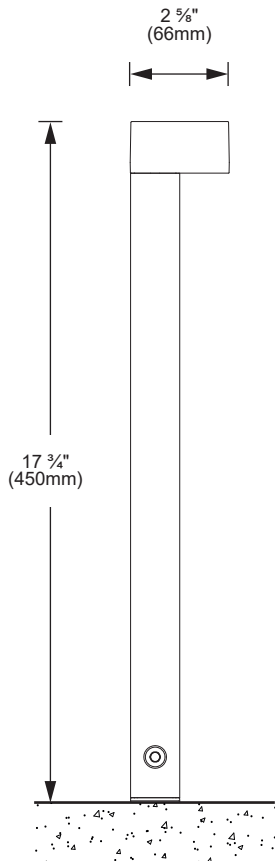
**S7212**



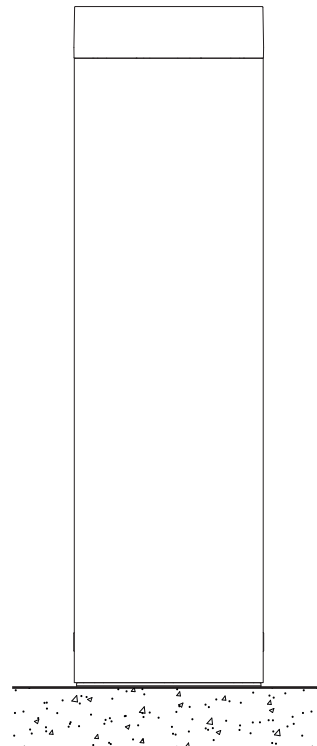
**FRONT VIEW**



**S7213**



4 <sup>15</sup>/<sub>16</sub>"  
(125mm)



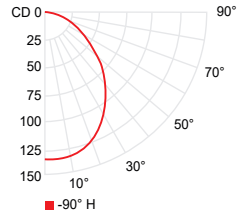
**PHOTOMETRIC DATA**

Visit [sistemalux.com](http://sistemalux.com) for complete photometric data.

CCT (K)	CRI	LOAD (W)	OPTIC	LUMENS (lm)	EFFICACY (lm / w)	MAX CANDELA (cd)	MODELS
3000K	90	5W	Accent light	279	55	141	S7212W / S7213W

\*USE MULTIPLIER TABLE FOR OTHER CCT AND CRI OUTPUT DATA

Accent light (3000K, 80CRI)



CCT options	2700K	3000K	4000K
CRI options	90CRI	90CRI	80CRI
<b>Multiplier</b>	<b>1</b>	<b>1</b>	<b>1.06</b>