




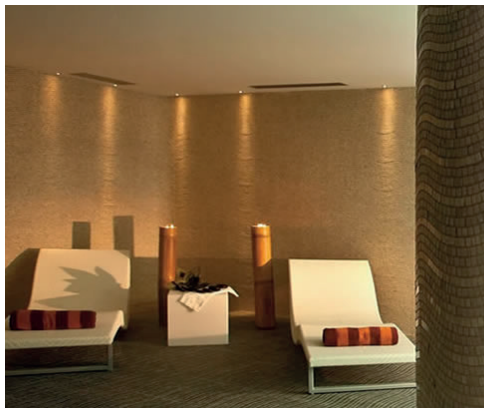
The main feature of this ceiling recessed luminaire is its extremely reduced dimensions (60mm). The lighting body is completely manufactured in 316L stainless steel to ensure an increased corrosion resistance and has no visible screws. Reduced energy consumption and very high lighting performances accomplish the profile of this extraordinary recessed spotlight for the exterior.

Luminaire characteristic:

Power input: 2.2W (system wattage)
Lumens: 131lm (for 3000K, 90CRI)
Luminaire efficacy: 59lm/W

Source:	White LED (LM-80), 2700K: 90CRI, 3000K: 90CRI, 4000K: 80CRI.
Lumen maintenance:	80% of initial lumens at 70 000 hours (L80) (LM-79).
Optic:	Narrow flood with transparent diffuser
Material:	Body: AISI 316L monoblock stainless steel
Mounting:	Downlight version supplied with clips for installation. Supplied with 16' cable (5m). Ceiling thickness: min: 5/8" (15mm), max 1 1/8" (30mm). Cut-out dimension: Ø2" (50mm)
Electrical:	High efficiency LED driver, rated at 50 000 hours. See remote LED driver options on page 2.

Finish:	Stainless steel.
Weight:	1.63lb (0.74kg)
Warranty:	5 year limited warranty.
Rating:	IP65, IP67, IK08
Certification:	 cULus listed for wet location



ORDERING INFO



PRODUCT CODE			
MODEL	LED	VOLTAGE	FINISH
S3321 Round downlight Narrow flood 29°	H 2700K, 90CRI W 3000K, 90CRI N 4000K, 80CRI	REM Remote	19 Stainless steel

REMOTE LED DRIVER OPTIONS (TO BE ORDERED SEPARATELY)

PRODUCT CODE	DRIVER CODE
Outdoor rated drivers	
Driver box model	Min-max units
	1.4W*
4545-0024-075-UNV-ND	1-33
4549-0024-075-UNV-D10	1-33
4551-0024-080-120-LTE	13-35

Indoor rated drivers	
Driver box model	Min-max units
	1.4W*
4444-0024-020-120-ND	1-9
4449-0024-060-UNV-D10	1-27

* Wattage requirement for one (1) fixture (Remote fixture only).

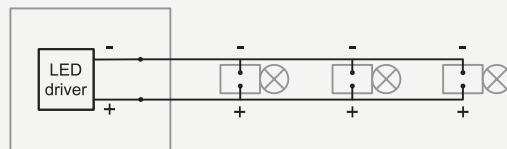
Driver code example

XXXX	-0024	-XXX	-XXX	-XXX
MODEL	CONSTANT VOLTAGE	WATTAGE	VOLTAGE	DIMMING PROTOCOL
4444 6" x 4" x 3" (152 x 102 x 76mm)	0024 24V	020 to 080 20W to 80W	120 120V UNV 120-277V	ND No dimming Max distance: 6m (20ft)** D10 0-10V Max distance: 6m (20ft)** (down to 10%) LTE Leading edge and trailing edge (ELV and TRIAC) Max distance: 6m (20ft)** (down to 15%)

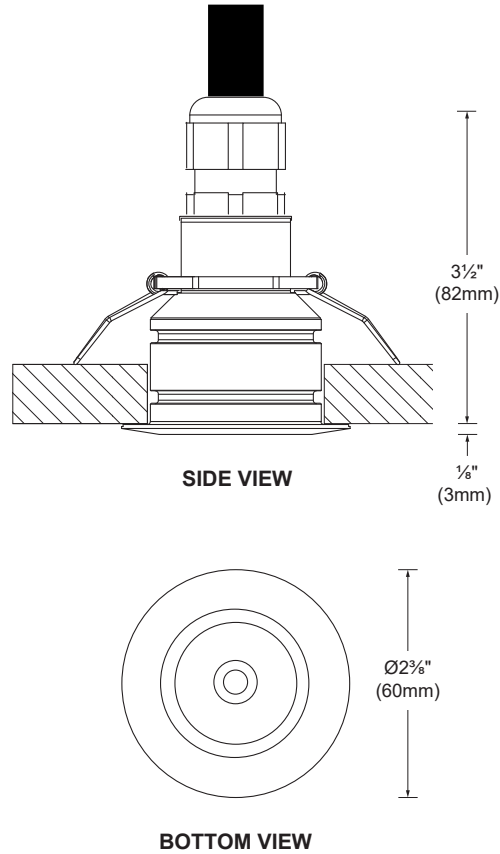
** Max distance cable calculated for 16AWG cable. Contact customer service for longer remote distance.

WIRING DIAGRAMS

Multiple luminaires must be connected in parallel.



DIMENSIONS

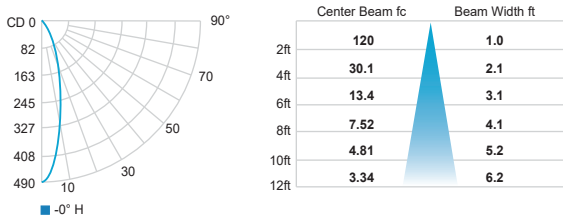


PHOTOMETRIC DATA

CCT (K)	CRI	LOAD (W)	OPTIC	LUMENS (lm)	EFFICACY (lm / W)	MAX CANDELA (cd)	MODEL
3000K	90	2.2W	Narrow flood 29°	131	59	481	S3321W

*For products that uses a remote led driver, total system wattage will varies according to the efficacy of the remote led driver selected. For this reason, the load and efficacy values given in the table above refers to the led source only and does not include the led driver consumption.

Narrow flood 29° (3000K, 90 CRI)



CCT options	2700K	3000K	4000K
CRI options	90CRI	90CRI	80CRI
Multiplier	0.95	1	1.05