

IMPORTANT - READ CAREFULLY BEFORE INSTALLING FIXTURE. RETAIN THESE INSTRUCTIONS FOR FUTURE REFERENCE.
 THIS PRODUCT MUST BE INSTALLED IN ACCORDANCE WITH THE NATIONAL ELECTRICAL CODE AND ALL APPLICABLE LOCAL CODES, BY A PERSON FAMILIAR WITH THE CONSTRUCTION AND OPERATION OF THE PRODUCT, AND THE HAZARDS INVOLVED. PROPER GROUNDING IS REQUIRED FOR SAFETY.

INSTALLING PROJECTOR WITH CANOPY (120-277V)

FOR USE WITH STANDARD 4" JUNCTION BOX (120-277V)

A - MAKE WIRE CONNECTIONS (FOLLOWING POLARITY MARKING).

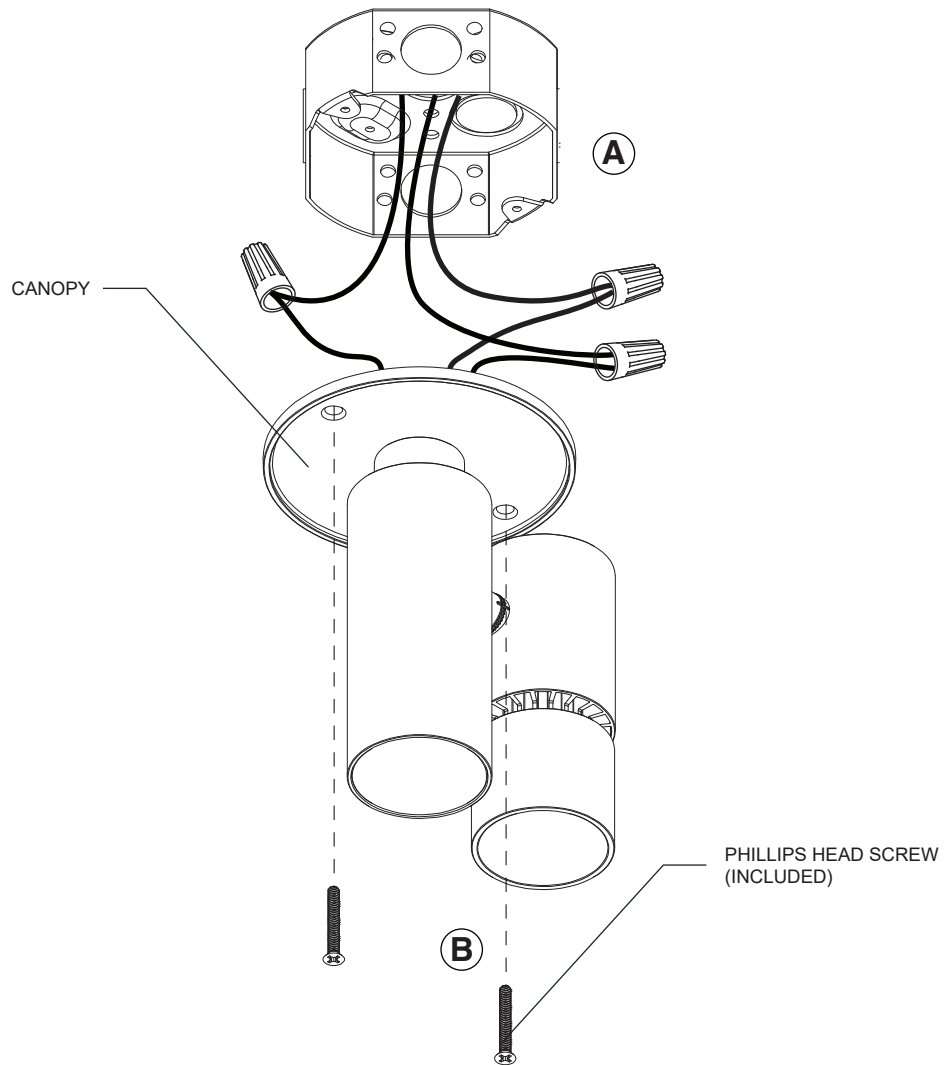
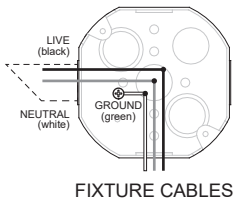
B - FASTEN CANOPY PROJECTOR IN JUNCTION BOX USING THE (2) PHILLIPS HEAD SCREWS (INCLUDED).

A + B

DISCONNECT POWER BEFORE INSTALLATION TO AVOID ELECTRICAL SHOCK OR DAMAGE TO LED ARRAY.

LIVE / DIM +	BLACK
NEUTRAL / DIM -	WHITE
⏚	GREEN

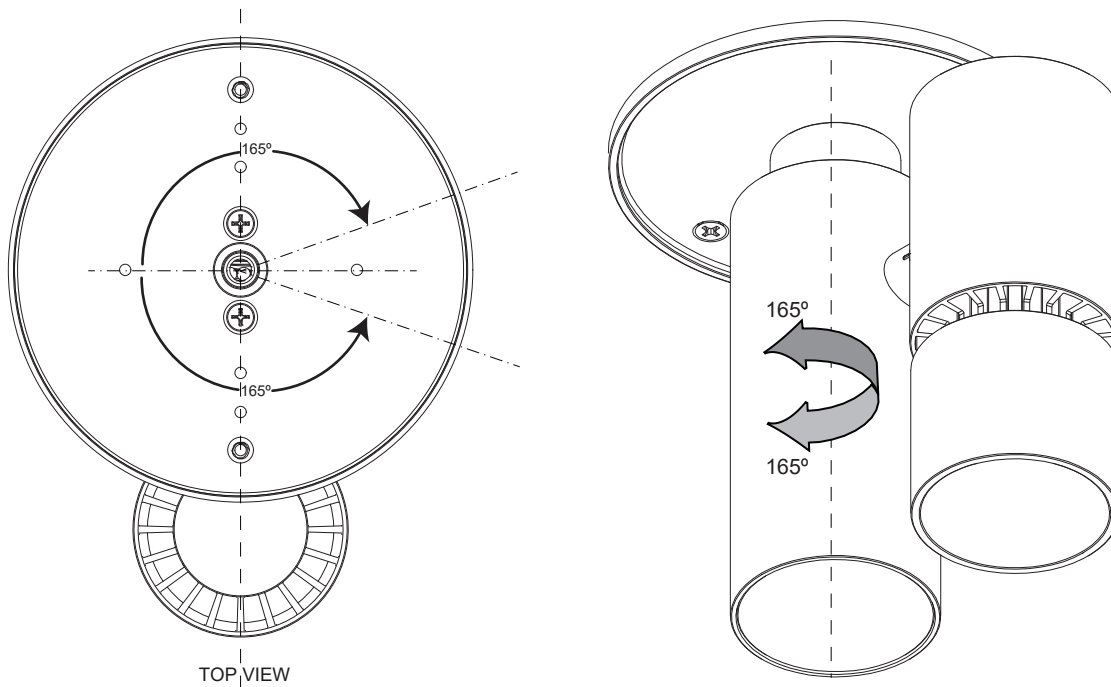
NO DIMMING (120-277V)
 OR
 DIMMING (LTE)
 TRIAC/ELV (120V ONLY)



PAN ANGLE POSITION (1590C)

A- SET THE DESIRED PAN POSITION (MAXIMUM OF 330° AXIAL ROTATION).

A

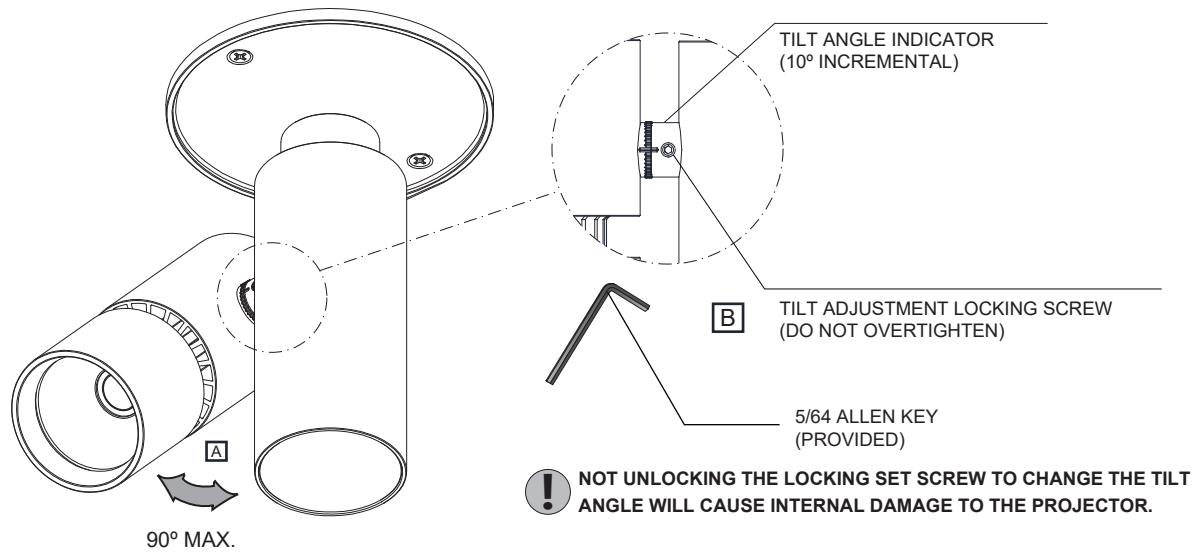


TILT ANGLE POSITION (1590C)

A- SET THE DESIRED TILT POSITION (MAXIMUM OF 90° AXIAL ROTATION).

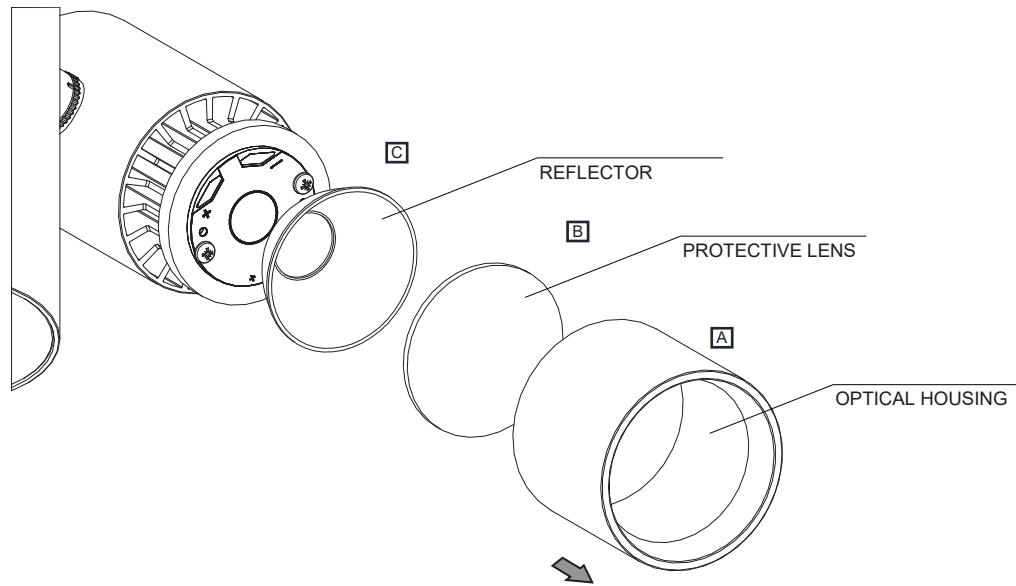
B- LOCK THE POSITION WITH THE TILT ADJUSTMENT LOCKING SCREW, USING THE 5/64 ALLEN KEY PROVIDED.

A



REPLACING OPTIC FOR REFLECTOR MODELS

- A- REMOVE OPTICAL HOUSING BY ROTATING COUNTERCLOCKWISE.
- B- LEAVE THE PROTECTIVE LENS IN THE OPTICAL HOUSING.
- C- REMOVE OLD REFLECTOR AND INSERT THE NEW ONE INTO THE OPTICAL HOUSING.
- D- RE-INSTALL THE PROTECTIVE LENS, OPTICAL HOUSING AND REFLECTOR TOGETHER BY ROTATING CLOCKWISE.



ACCESSORIES

- A- TO REPLACE OR ADD AN ACCESSORY, REMOVE OPTICAL HOUSING BY ROTATING IT COUNTERCLOCKWISE.
 - B- INSERT ONE OR MORE ACCESSORIES INTO THE OPTIC HOUSING.
 - C- RE-INSTALL THE ACCESSORIES AND OPTICAL HOUSING TOGETHER BY ROTATING CLOCKWISE.
- (A MAXIMUM OF 3 ACCESSORIES IN COMBINATION)

