



Collection of multi-lamps directional LED downlights. Multiple Large is most suitable for large scale retail and architectural lighting applications where scalable lighting solutions are required. Highly reliable thermal design ensures long lasting performance and color consistency.

Luminaire characteristic:

Power input: 22W or 28.5W (per lamp)
Lumens: 2430 to 3155lm per lamp (for 3000K, 80CRI)
Luminaire efficacy: Up to 112lm/W

Source: BRIDGELUX VERO18 LED module, (LM-80 tested).
2700K: 90CRI or 97CRI
3000K: 80CRI, 90CRI or 97CRI
3500K: 80CRI or 90CRI
4000K: 80CRI
Lumen maintenance: 90% of initial lumens at 132 000 hours (L90), (LM-79 tested).

Optic: Spot, narrow flood or flood. Each optical assembly is adjustable 45° on all axes.

Material: Optical assembly: Die-cast aluminum
Heatsink: Extruded aluminum
Reflector: High bright anodized aluminum
Housing: Black oxide steel
Connection box and hardware: Galvanized steel

Mounting: New construction plaster frame or remodeling.
No plaster frame needed for remodeling option.
See page 3 for details.

Electrical: Integral high efficiency electronic power supply, rated 50 000 hours, 120V, 277V or 120-277V.

Dimming: Standard power supply compatible with 0-10V dimming. Optional power supply available for Lutron Hi Lume® 1% EcoSystem™ (Soft-on, Fade to Black).

Finish: White RAL9003, Black RAL9004, or Gray RAL9006 painted finish.

Weight: TBC.

Warranty: 5 year limited warranty.

Rating: IP20.

Certification: cULus listed for damp location.



Energy star certified product. To confirm which versions are certified, please consult the product list: www.energystar.gov/productfinder

ORDERING INFO









PRODUCT CODE			INSTALLATION CODE				
MODEL	INSTALLATION	OUTPUT	LED	OPTIC	VOLTAGE	FINISH	DIMMING
8208 Single, round	Remodel New construction plaster frame	BO Base output	830 3000K, 80CRI	20 Spot 22°	120 ² 120V	01 White	DEFAULT
8218 Single			835 3500K, 80CRI	30 Narrow flood 26°	277 ² 277V	02 Black	D10 0-10V
8228 Double			840 4000K, 80CRI	40 Flood 37°	UNV 120-277V	10 Gray	OPTIONAL
8238 Triple			927 2700K, 90CRI				D2B Lutron Hi Lume® 1% EcoSystem™ (Soft-on, Fade to Black)
8248 Four, square			930 3000K, 90CRI				
8248L Four, long			935 3500K, 90CRI				
8268 Six			027 ¹ 2700K, 97CRI				
			030 ¹ 3000K, 97CRI				

1 LED option may require a longer lead time than standard. Please contact customer service for details.
2 Available for the single (8218) model.

ACCESSORIES (TO BE ORDERED SEPARATELY)

*Maximum of 3 accessories per optical assembly.

- | | | | |
|--|---|---|---|
| <input type="checkbox"/> 1701A - Frosted lens | | <input type="checkbox"/> 1695A-52 - Black cross baffle
Length: 7/8" (22.5mm) |  |
| <input type="checkbox"/> 1702A - Elliptic lens |  | <input type="checkbox"/> 1705A-52 - Black snoot
Length: 1 1/4" (44mm) |  |
| <input type="checkbox"/> 1703A - Soft focus lens | | <input type="checkbox"/> 1706A-52 - Black visor wall washer
Length: 1 1/4" (44mm) |  |
| <input type="checkbox"/> 1704A-52 - Black hex cell louver |  | | |
| <input type="checkbox"/> 8212-24 - Clear glass lens |  | | |

INSTALLATION

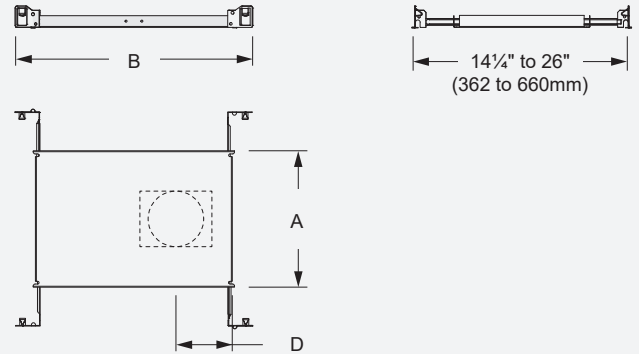
Remodel

Versatile housing for new or existing ceiling structure. Suitable for non-insulated ceiling assemblies, like sheetrock, or paneling. Fixture is ready for remodeling installation. See page 2 for dimensions.

New construction with plaster frame

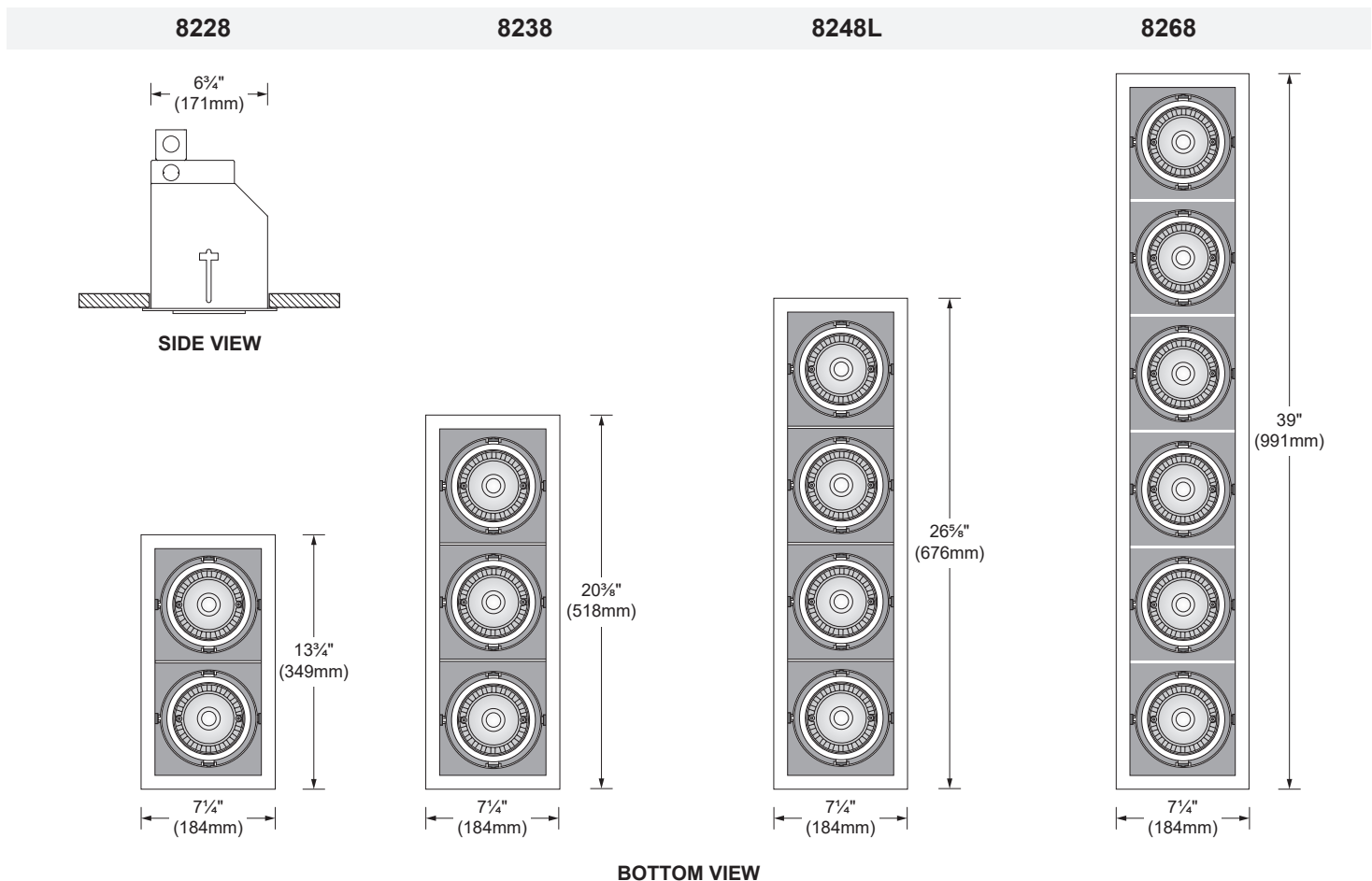
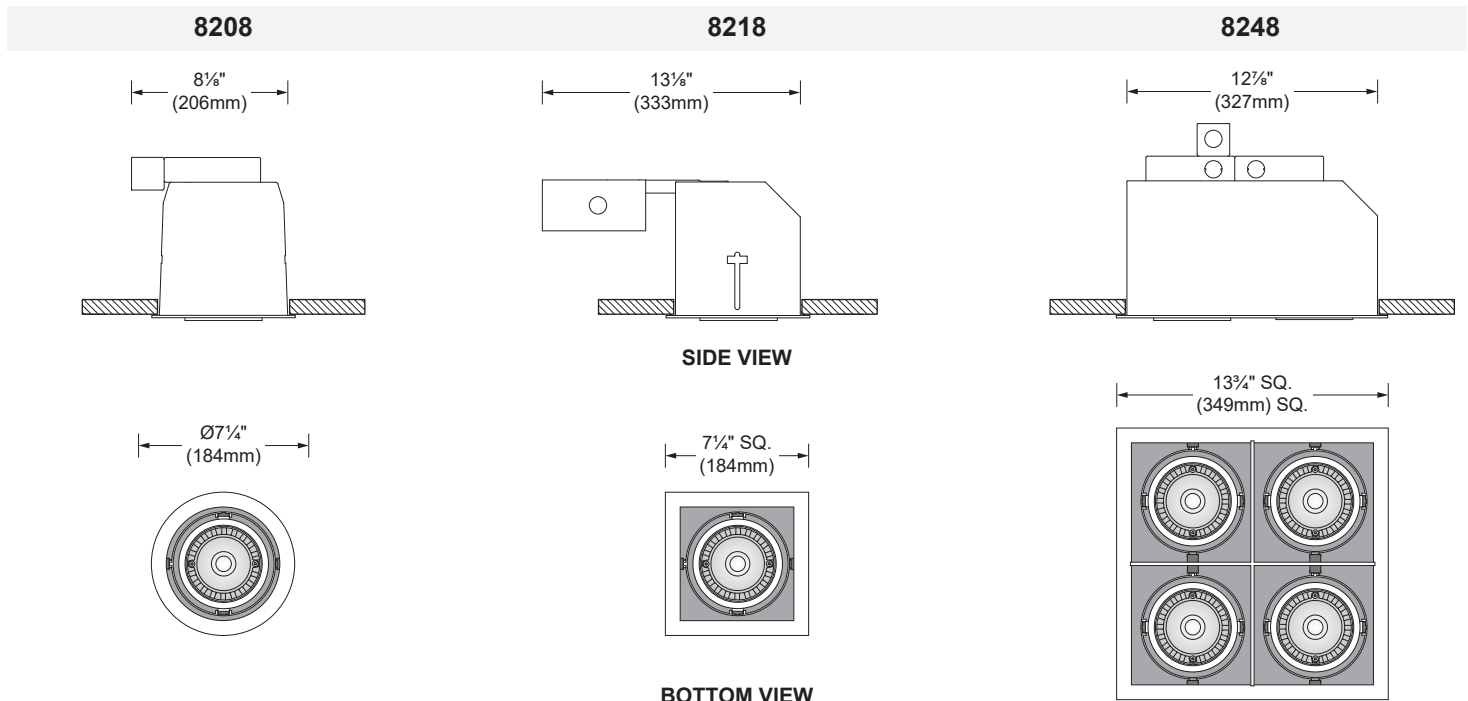
Plaster frame with hanger bars system to be installed during rough-in phase. Suitable for non-insulated new construction ceiling assemblies, like sheetrock, acoustic tiles, or paneling. Housing and trim can be shipped separately.

Ceiling thickness: 1/8" to 1 3/8" (3mm - 35mm)



Model	Plaster frame	Overall dimensions (AxB)	Cut-out position (D)	Cut-out dimensions	Clearance
Single round	MUL-210R-KIT	9 1/2" x 14 1/8" (241mm x 359mm)	4 3/4" (121mm)	Ø 6 3/4" (171mm)	8 3/4" (222mm)
Single square	MUL-210C-KIT	9 1/2" x 14 1/8" (241mm x 359mm)	4 3/4" (121mm)	6 1/2" x 6 1/2" (165mm x 165mm)	6 5/8" (175mm)
Double	MUL-220C-KIT	9 1/2" x 20 5/8" (241mm x 524mm)	8" (203mm)	13" x 6 1/2" (330mm x 165mm)	9 5/8" (251mm)
Triple	MUL-230C-KIT	9 1/2" x 27 1/8" (241mm x 689mm)	11 1/4" (286mm)	19 1/2" x 6 1/2" (495mm x 165mm)	
Four square	MUL-240C-KIT	15 3/8" x 20 1/4" (391mm x 514mm)	8 5/8" (219mm)	13 1/8" x 13 1/8" (333mm x 333mm)	10" (254mm)
Four long	MUL-240-L-C-KIT	9 1/2" x 33 3/8" (241mm x 848mm)	14 3/8" (365mm)	25 3/4" x 6 1/2" (654mm x 165mm)	9 5/8" (251mm)
Six	MUL-260C-KIT	9 1/2" x 45 3/8" (241mm x 1165mm)	20 5/8" (524mm)	38 1/4" x 6 1/2" (971mm x 165mm)	

MODEL



LED COLOR FIDELITY DATA

CRI	CCT	R1	R2	R3	R4	R5	R6	R7	R8	R9	R10	R11	R12	R13	R14	R15	Rf	Rg	Melanopic ratio
80	3000K	82	92	97	83	83	90	84	61	12	81	82	75	85	99	75	86	96	0.52
	3500K	81	89	95	80	80	84	85	63	9	73	78	61	82	97	75	83	97	0.58
	4000K	80	88	93	81	80	83	87	66	10	71	79	56	82	96	74	83	95	0.67
90	2700K	91	94	93	90	89	91	93	82	60	83	89	74	91	95	88	89	101	0.44
	3000K	94	96	96	91	92	94	93	85	66	89	90	77	94	97	92	90	100	0.51
	3500K	95	98	96	92	93	94	94	88	74	91	91	74	96	97	94	90	99	0.65
97	2700K	99	99	98	98	99	97	95	92	84	98	97	89	99	98	98	94	102	0.50
	3000K	99	99	97	99	99	97	98	98	95	98	97	85	99	97	99	95	101	0.58

PHOTOMETRIC DATA

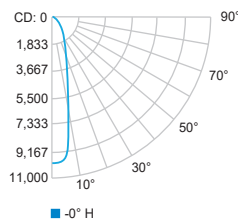
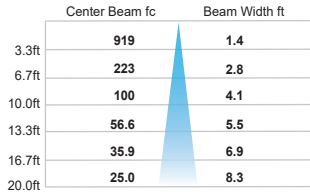
Photometric performance is measured at an accredited independant laboratory in accordance with IESNA LM-79. Visit sistemalux.com for complete photometric data.

REFER TO ONE LAMP

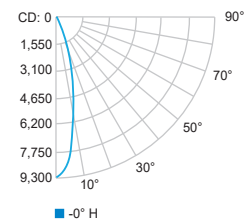
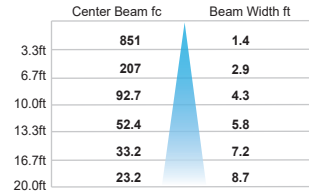
CCT (K)	CRI	OUTPUT (W)	LOAD (W)	OPTIC	LUMENS (lm)	EFFICACY (lm / w)	MAX CANDELA (cd)	MODEL
3000K	80	BO	22W	Spot	2465	112	10 000	8218-830-20
				Narrow Flood	2455	111	9270	8218-830-30
				Flood	2430	110	5295	8218-830-40
		HO	28.5W	Spot	3155	110	12 800	8218-HO-830-20
				Narrow Flood	3140	110	11 865	8218-HO-830-30
				Flood	3110	109	6775	8218-HO-830-40

*USE MULTIPLIER TABLE BELOW FOR OTHER CCT AND CRI OUTPUT DATA

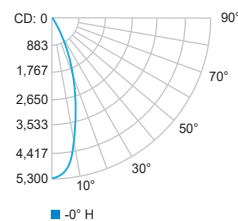
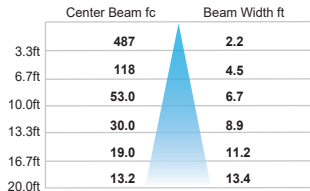
22W - 3000K - 80 CRI - 22° Spot



22W - 3000K - 80 CRI - 26° Narrow Flood



22W - 3000K - 80 CRI - 37° Flood



MULTIPLIER TABLE

CCT options	2700K	2700K	3000K	3000K	3000K	3500K	3500K	4000K
CRI options	90CRI	97CRI	80CRI	90CRI	97CRI	80CRI	90CRI	80CRI
Multiplier	0.80	0.69	1	0.83	0.74	1.03	0.86	1.04