

Collection of LED track projectors for commercial applications. Timeless design with harmonious proportions this elegant series of projectors is suitable for most modern interiors. Proprietary heat sink design with exceptional thermal performance yields reliable color consistency and output performance during the life of the product.

**Luminaire characteristics:**

**Power input:** 14W to 18.5W  
**Lumens:** 890lm to 1715lm (for 3000K, 80CRI)  
**Luminaire efficacy:** Up to 103lm/W

**Source:** BRIDGELUX VERO LED MODULE (LM-80 tested)  
2700K: 90CRI,  
3000K: 80CRI, 90CRI,  
3500K: 80CRI, 90CRI,  
4000K: 80CRI.

**Lumen maintenance:** 90% of initial lumens at 100 000 hours (L90).

**Optics:** Available in spot, narrow flood, flood and wide flood.

**Material:** Body: Extruded aluminum housing and heatsink, die-cast aluminum pivot arm and trim.  
Reflector: High bright faceted aluminum.  
Lens: PMMA TIR.

**Mounting:** **Tracks:** Sistemalux one circuit. Juno®.  
**Canopy:** Round canopy, mounted on a 4" standard octagonal junction box.

**Adjustment:** Tilt adjustment: 90°, Pan ajustement: 165°/165°.

**Electrical:** Integral high efficiency LED driver rated at 50 000 hours, 120V or 120-277V.

**Dimming:** Leading (Triac) and trailing edge (ELV), down to 15% (120V) and 0-10V down to 15% (120-277V) for canopy model.

**Finish:** White (RAL9003) or matte black.  
Track adaptor or canopy will match fixture color.

**Weight:** 1.4lbs (0.64kg)

**Warranty:** 5 year limited warranty.

**Ratings:** IP20

**Certification:**   cULus listed for damp location for canopy model. cULus listed for dry location for track model. Design Lights Consortium® (DLC). To confirm which versions are qualified, please consult the product list: [www.designlights.org/QPL](http://www.designlights.org/QPL).

## ORDERING INFO

**1760** - - - - -  
FIXTURE

### MOUNTING

- S1** - Sistemalux one circuit track<sup>(1)</sup>     **J** - Juno<sup>(2)</sup>     **C** - Canopy

### OUTPUT

- BO** - Base output     **HO** - High output

### LED

- 927** - 2700K, 90 CRI     **830** - 3000K, 80 CRI     **835** - 3500K, 80 CRI     **840** - 4000K, 80 CRI  
 **930** - 3000K, 90 CRI     **935** - 3500K, 90 CRI

### OPTIC

#### TIR LENS

- LSP** - Lens spot (15°)<sup>(3)</sup>

#### ALUMINUM REFLECTOR

- 20** - Spot (26°)     **40** - Narrow flood (33°)     **50** - Flood (42°)     **60** - Wide flood (57°)

### VOLTAGE

- 120** - 120V     **UNV** - 120-277V<sup>(4)</sup>

### FINISH

- 01** - White     **52** - Black matte

### DIMMING

- D10** - 0-10V<sup>(4)</sup>     **LTE** - Leading and trailing edge (120V only)

<sup>(1)</sup> 8000-S1 series. Also compatible with Cooper Lighting's Halo® L series tracks.

<sup>(2)</sup> Compatible with one circuit Juno® T series tracks.

<sup>(3)</sup> Available for 927, 930, 935 LED.

<sup>(4)</sup> Available for canopy (C) mounting.

**ACCESSORIES (TO BE ORDERED SEPARATELY)**

Fixture can hold a maximum of 3 accessories at a time.



**SOFT FOCUS LENS**

**1593** - Included with reflector optic



**BLACK CROSS BAFFLE**

**1594-52** - Length: 5/8" (15mm)



**FROSTED LENS**

**1599**



**BLACK SNOOT**

**1597-52** - Length: 1 1/8" (29mm)



**ELLIPTIC LENS**

**1598**



**WHITE SNOOT / BLACK INTERIOR**

**1597-21** - Length: 1 1/8" (29mm)

**BLACK HEX CELL LOUVER**

**1596-52**



**BLACK VISOR WALL WASHER**

**1595-52** - Length: 1 5/16" (33mm)



**INTERCHANGEABLE ALUMINUM REFLECTOR**

AVAILABLE WITH REFLECTOR OPTICS

**Optic 20**

**1740**- 26°

**Optic 40**

**1741**- 33°

**Optic 50**

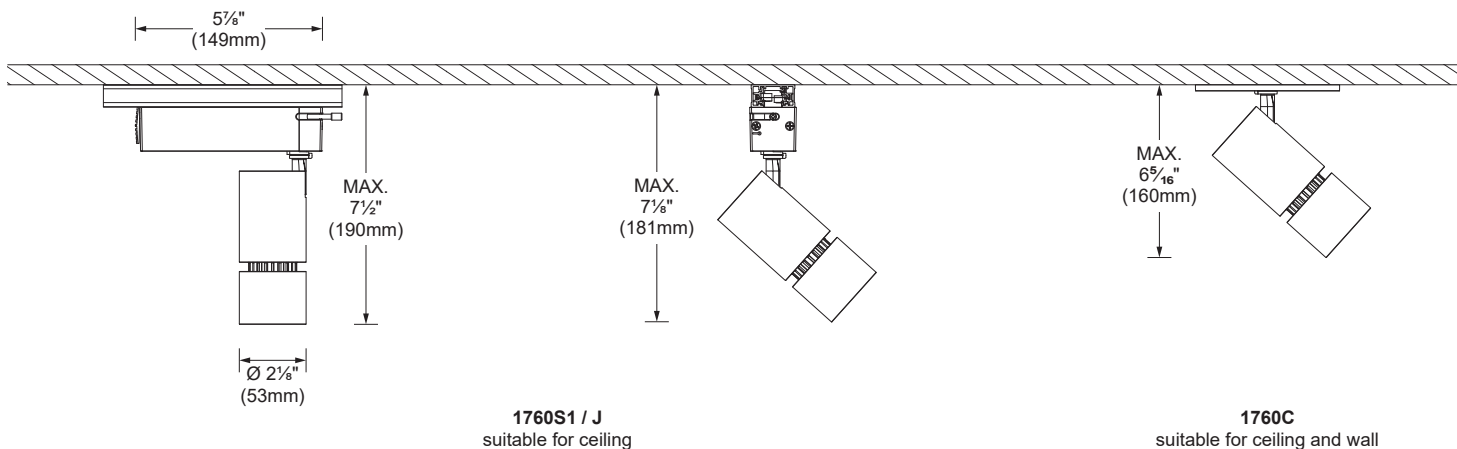
**1742**- 42°

**Optic 60**

**1743**- 57°



**DIMENSIONS**



**LED COLOR FIDELITY DATA**

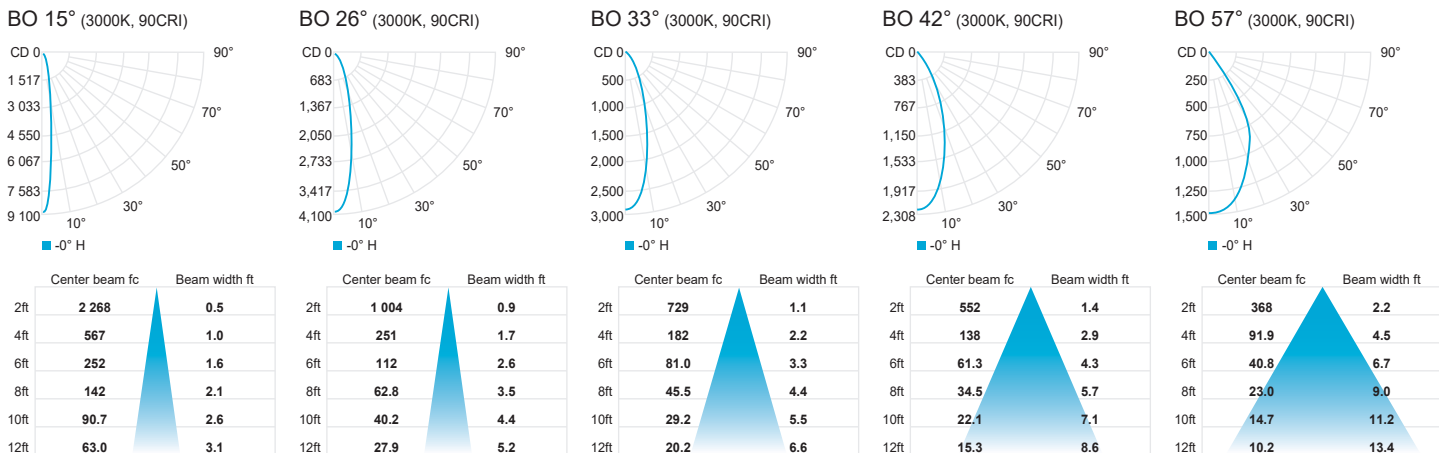
CRI	CCT	R1	R2	R3	R4	R5	R6	R7	R8	R9	R10	R11	R12	R13	R14	R15	Rf	Rg	Melanopic ratio
80	3000K	82	92	97	83	83	90	84	61	12	81	82	75	85	99	75	86	96	0.52
	3500K	81	89	95	80	80	84	85	63	9	73	78	61	82	97	75	83	97	0.58
	4000K	80	88	93	81	80	83	87	66	10	71	79	56	82	96	74	83	95	0.67
90	2700K	91	94	93	90	89	91	93	82	60	83	89	74	91	95	88	89	101	0.44
	3000K	94	96	96	91	92	94	93	85	66	89	90	77	94	97	92	90	100	0.51
	3500K	95	98	96	92	93	94	94	88	74	91	91	74	96	97	94	90	99	0.65

**PHOTOMETRIC DATA**

Photometric performance is measured at an accredited independent laboratory in accordance with IESNA LM-79. Visit [sistemalux.com](http://sistemalux.com) for complete photometric data.

CCT (K)	CRI	OUTPUT	LOAD (W)	OPTIC	LUMENS (lm)	EFFICACY (lm/W)	MAX CANDELA (cd)	MODELS
3000K	90	BO	14.5W	15°	890	61	9 070	1760-BO-930-LSP
				26°	1 250	89	4 015	1760-BO-830-20
				33°	1 190	85	2 915	1760-BO-830-40
				42°	1 200	85	2 205	1760-BO-830-50
				57°	1 230	87	1 470	1760-BO-830-60
	80	HO	16.5W	15°	1 048	56	10 670	1760-HO-930-LSP
				26°	1 715	103	5 550	1760-HO-830-20
				33°	1 705	103	4 075	1760-HO-830-40
				42°	1 700	103	3 020	1760-HO-830-50
				57°	1 695	102	2 030	1760-HO-830-60

\*USE MULTIPLIER TABLE FOR OTHER CCT AND CRI DATA



	Reflector						Lens spot 15° (LSP)		
CCT options	2700K	3000K	3000K	3500K	3500K	4000K	2700K	3000K	3500K
CRI options	90CRI	90CRI	80CRI	80CRI	90CRI	80CRI	90CRI	90CRI	90CRI
<b>Multiplier</b>	<b>0.81</b>	<b>0.85</b>	<b>1</b>	<b>1.02</b>	<b>0.84</b>	<b>1.03</b>	<b>0.94</b>	<b>1</b>	<b>1.02</b>