

IMPORTANT - READ CAREFULLY BEFORE INSTALLING FIXTURE. RETAIN THESE INSTRUCTIONS FOR FUTURE REFERENCE. THIS PRODUCT MUST BE INSTALLED IN ACCORDANCE WITH THE NATIONAL ELECTRICAL CODE AND ALL APPLICABLE LOCAL CODES, BY A PERSON FAMILIAR WITH THE CONSTRUCTION AND OPERATION OF THE PRODUCT, AND THE HAZARDS INVOLVED. PROPER GROUNDING IS REQUIRED FOR SAFETY.

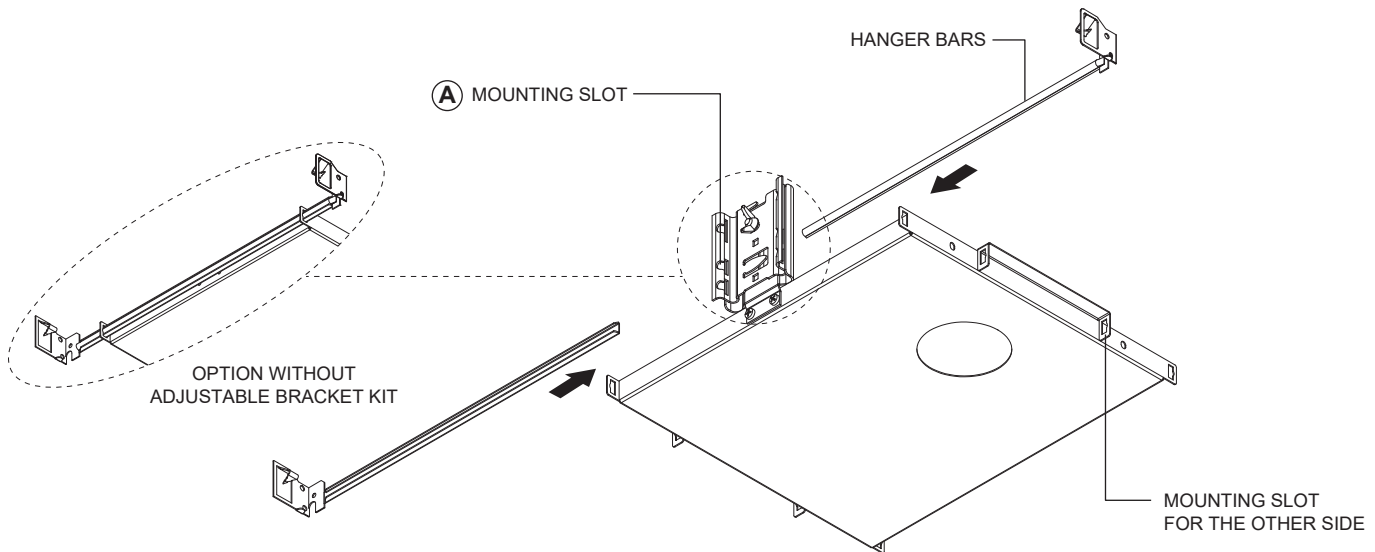
NEW CONSTRUCTION PLASTER FRAME INSTALLATION (NC) INTEGRAL DRIVER (120V / 277V) DIMMING TRIAC/ELV (LTE), 0-10V (D10), DALI (DA), CASAMBI (CAS)

PAGE 1-2

⚠ DISCONNECT THE MAIN LINE BEFORE WIRING SECONDARY CONNECTORS

A- ENGAGE (4) HANGER BARS IN HOUSING SLOTS AVAILABLE AND CONNECT THEM TOGETHER.

A

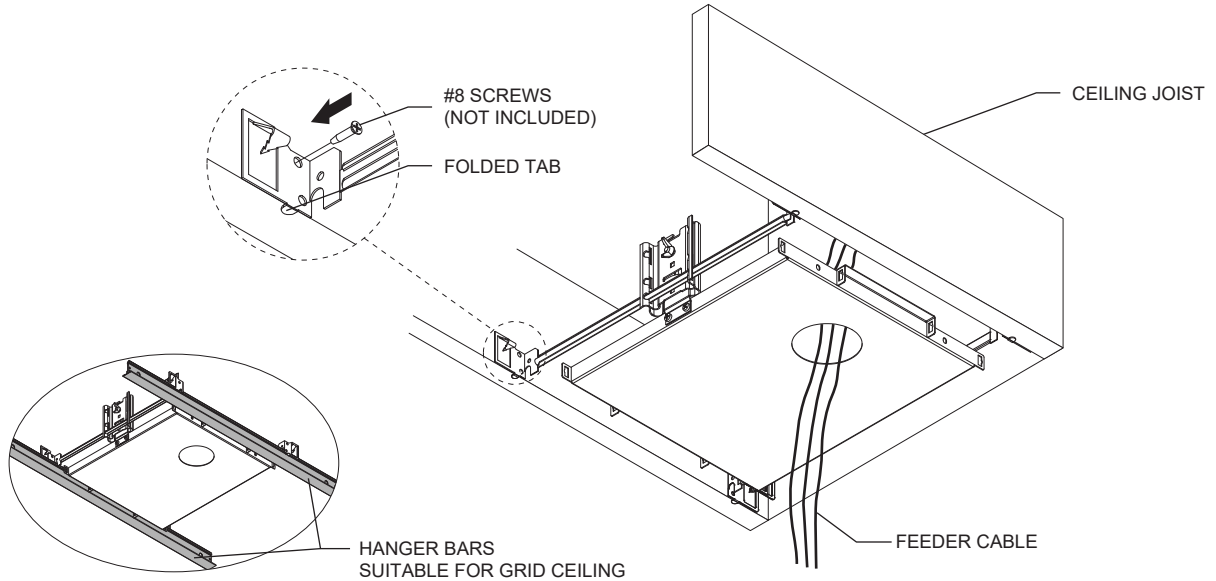


TRIM & TRIMLESS MODELS : LOGP3 - R / S - NC - INTEGRAL: 120V / 277V

B - FASTEN HANGER BARS TO CEILING BRACE WITH #8 SCREWS (**NOT INCLUDED**). USE THE SMALL FOLDED TAB AT THE END OF THE BARS TO ALIGN WITH THE CEILING JOISTS. HANGER BARS ARE ALSO SUITABLE FOR GRID CEILING. LEAVE AT LEAST 6" (152mm) OF FEEDER CABLE ACCESSIBLE FROM UNDER THE CEILING.

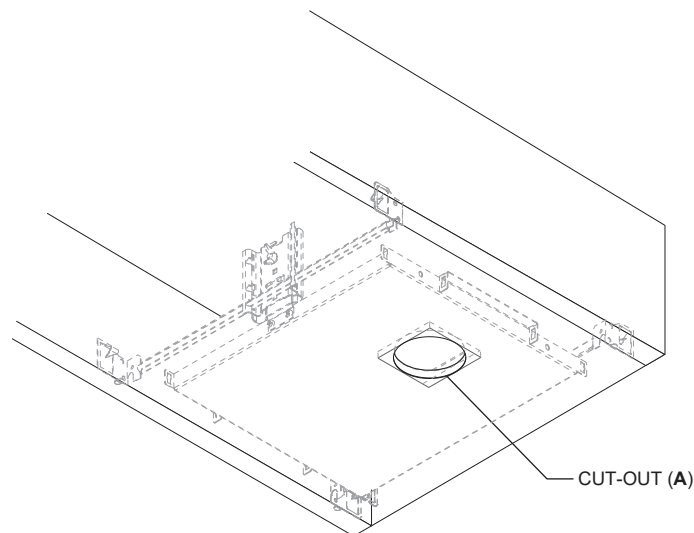
C - INSTALL THE DRYWALL AND MAKE THE CUT-OUT OPENING (**SEE DIMENSIONS BELOW**).

B

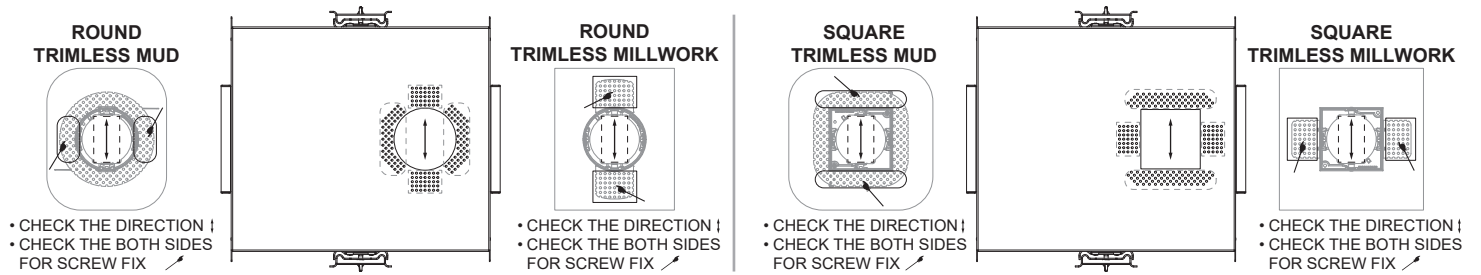


C

Model	Shape	Mounting	Housing	Cut-out dimensions (A)	Ceiling Thickness	Clearance (H)
LOGP3R	Round	Trim	BN-LOGP3RT-NC	Ø 2¾" (Ø 70mm)	¾" - 1½" (5 - 24mm)	6¾" (160mm)
		Trimless Mud	BN-LOGP3RL-NC	Ø 2⅞" (Ø 73mm)	¾" - 1½" (5 - 24mm)	7¼" (197mm)
		Trimless Millwork	BN-LOGP3RM-NC	Ø 2⅞" (Ø 73mm)	½" - ⅞" (2 - 21.5mm)	7¼" (197mm)
LOGP3S	Square	Trim	BN-LOGP3ST-NC	2⅞" x 2⅞" (68 x 68mm)	¾" - 1½" (1 - 24mm)	6¾" (160mm)
		Trimless Mud	BN-LOGP3SL-NC	2¾" x 2¾" (70 x 70mm)	¾" - 1½" (1 - 24mm)	7¼" (197mm)
		Trimless Millwork	BN-LOGP3SM-NC	2⅞" x 2⅞" (68 x 68mm)	½" - ⅞" (12.5 - 21.5mm)	7¼" (197mm)



TRIMLESS KIT INSTALLATION (Before Fixture Installation if applicable)



⚠ IMPORTANT: INSTALL TRIMLESS KIT IN THE CORRECT ORIENTATION TO ALLOW THE DRIVER TO PASS THROUGH AND FIT INSIDE THE PLASTER FRAME.

ROUND TRIMLESS MUD:

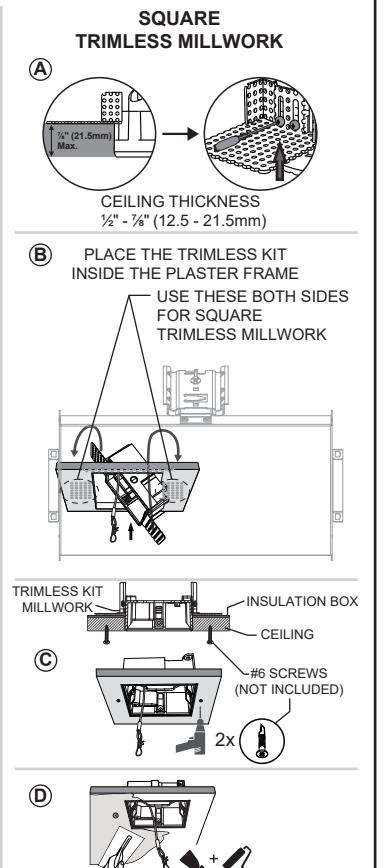
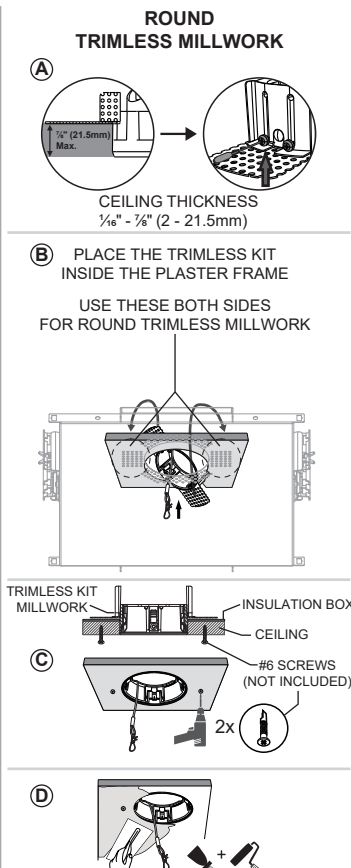
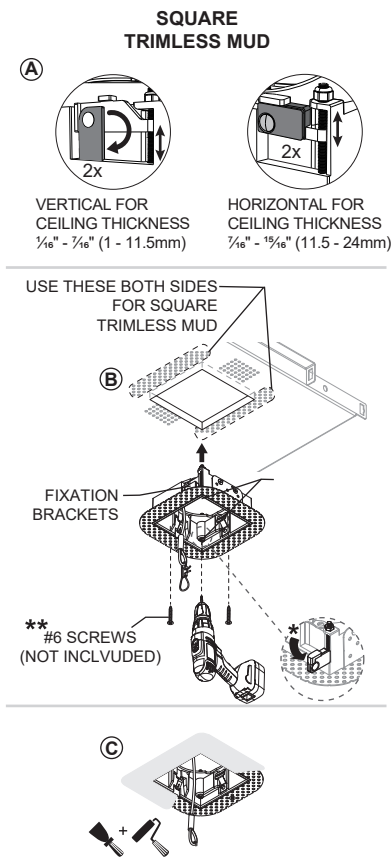
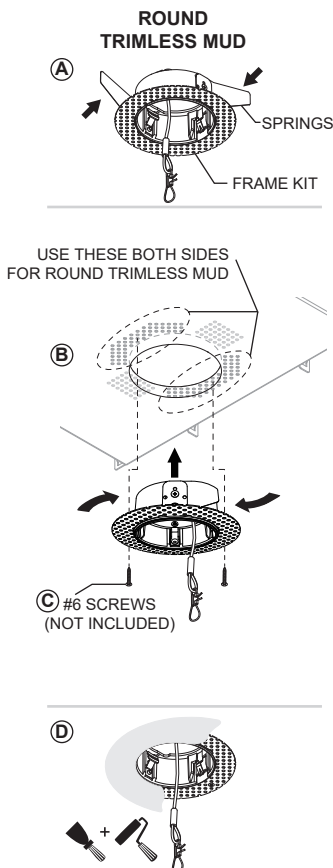
- A - BEND AND HOLD THE SPRINGS AGAINST THE TRIM KIT.
- B - ROTATE IN THE SPECIFIED DIRECTION (**SEE BELOW**) WHILE PUSHING UPWARD TO INSERT THE TRIM KIT INTO THE CEILING.
- C - SECURE THE TRIMLESS KIT TO THE CEILING USING (2x) #6 SCREWS (**NOT INCLUDED**).
- D - FINISH THE ASSEMBLY BY PLASTERING, SANDING AND PAINTING.

SQUARE TRIMLESS MUD:

- A - CHOOSE THE BRACKET DIRECTION (VERTICAL OR HORIZONTAL) DEPENDING ON THE CEILING THICKNESS.
- B - INSERT THE TRIMLESS KIT INTO THE CEILING. TO HOLD THE KIT IN THE CEILING, ADJUST THE (2x) FIXATION BRACKET ADJUSTMENT SCREWS WITH A DRILL (**RECOMMENDED**).
* THE BRACKETS WILL OPEN AUTOMATICALLY WHILE SCREWING.
** FOR BETTER FIXATION (IF NEEDED), SECURE THE TRIMLESS KIT TO THE CEILING USING (2x) #6 SCREWS (**NOT INCLUDED**)
- C - FINISH THE ASSEMBLY BY PLASTERING, SANDING AND PAINTING.

ROUND / SQUARE TRIMLESS MILLWORK:

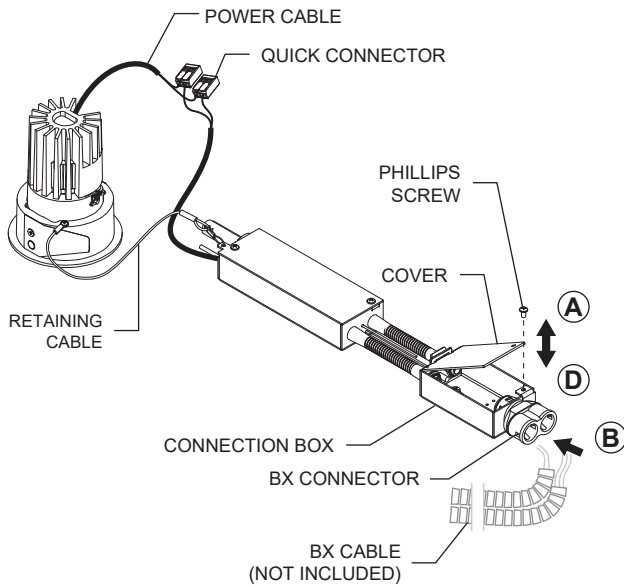
- A - ADJUST BRACKET POSITION DEPENDING ON THE CEILING THICKNESS.
- B - POSITION THE TRIMLESS KIT IN THE CEILING
- C - SECURE THE TRIMLESS KIT TO THE CEILING USING (2x) #6 SCREWS (**NOT INCLUDED**).
- D - FINISH THE ASSEMBLY BY PLASTERING, SANDING AND PAINTING.



**FIXTURE CONNECTION
INTEGRAL DRIVER (120V / 277V)
DIMMING TRIAC/ELV, 0-10V, DALI**

- A- REMOVE THE CONNECTION BOX PHILLIPS SCREW (INCLUDED) AND REMOVE THE COVER.
- B- INSTALL A BX CABLE (NOT INCLUDED) USING A BX CONNECTOR (INCLUDED). LEAVE AT LEAST 6" OF WIRE IN THE BOX.
- C- MAKE ALL THE NECESSARY CONNECTIONS (SEE WIRING DIAGRAM) USING QUICK CONNECTORS (INCLUDED) OR CONNECTION BLOCK. ***DAISY CHAIN READY FOR LTE DIMMING ONLY.**
- D- CLOSE THE CONNECTION BOX COVER AND TIGHTEN THE PHILLIPS SCREW.

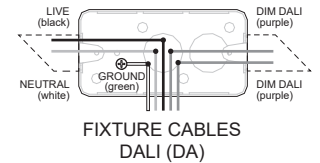
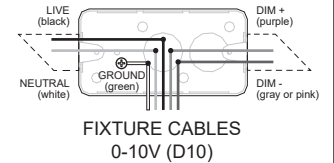
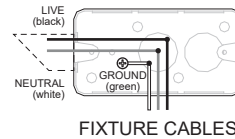
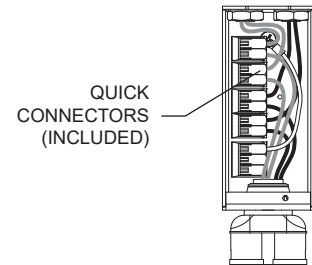
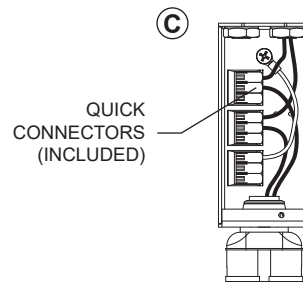
A + B + C + D



WIRING DIAGRAM

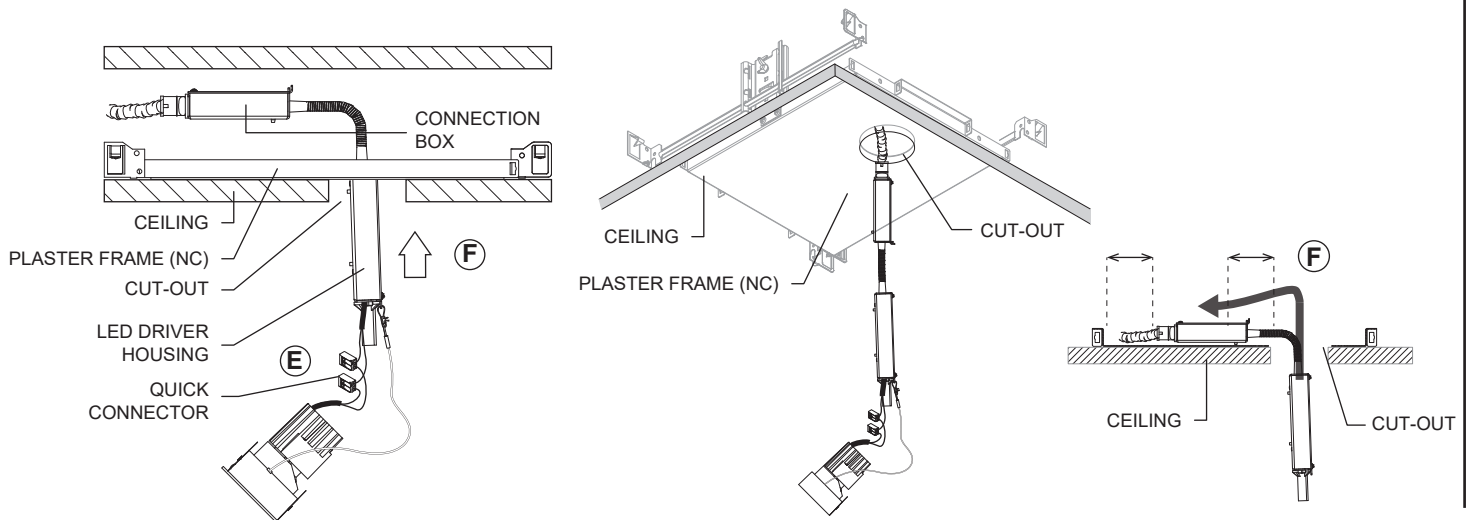
DIMMING TRIAC/ELV (LTE)
120V ONLY
DAISY CHAIN READY

DIMMING 0-10V (D10) & DALI (DA)
120-277V
NO DAISY CHAIN



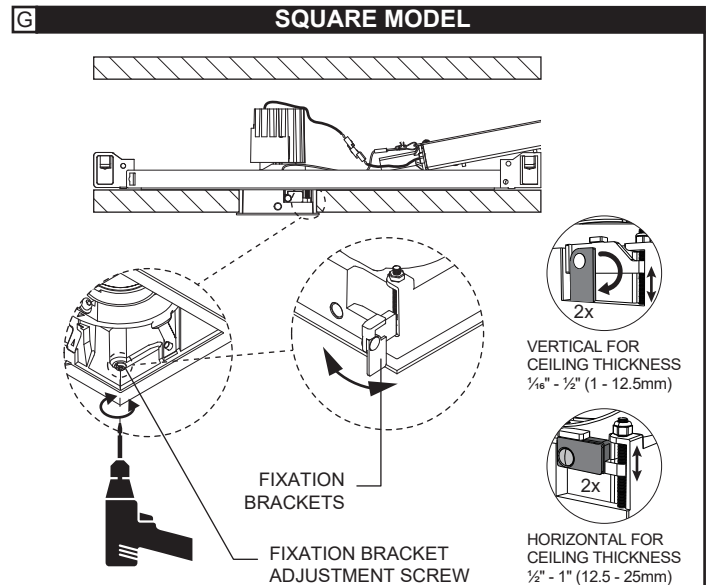
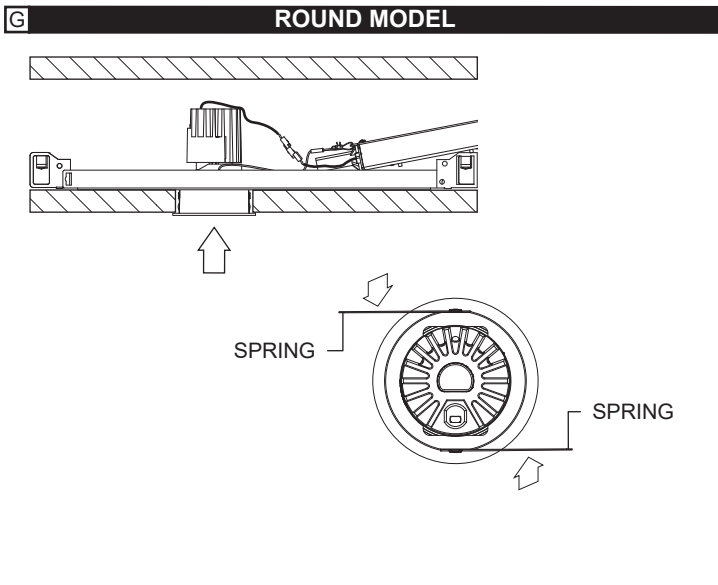
- E- CONNECT THE FIXTURE TO THE DRIVER USING THE QUICK CONNECTOR.
- F- STARTING WITH THE CONNECTION BOX, CAREFULLY INSERT THE ASSEMBLY THROUGHT THE CUT-OUT. ROTATE THE DRIVER TO A HORIZONTAL POSITION AND PLACE IT INSIDE THE PLASTER FRAME. MAINTAIN PROPER CLEARANCE BETWEEN THE DRIVER BOX AND THE LIGHTING FIXTURE.

E + F



G- BEND AND HOLD SPRINGS AGAINST FIXTURE BODY AND ROTATE IN SPECIFIED DIRECTION (SEE BELOW) WHILE PUSHING UPWARD TO INSERT THE FIXTURE INTO THE CEILING.

G- INSERT FIXTURE INTO THE CEILING. TO SECURE THE FIXTURE INSIDE THE CEILING, SCREW THE FIXATION BRACKET ADJUSTMENT SCREW (2) WITH A DRILL (RECOMMENDED). FIXATION BRACKETS WILL OPEN AUTOMATICALLY WHILE SCREWING.



TRIMLESS - NEW CONSTRUCTION WITH PLASTER FRAME (NC)

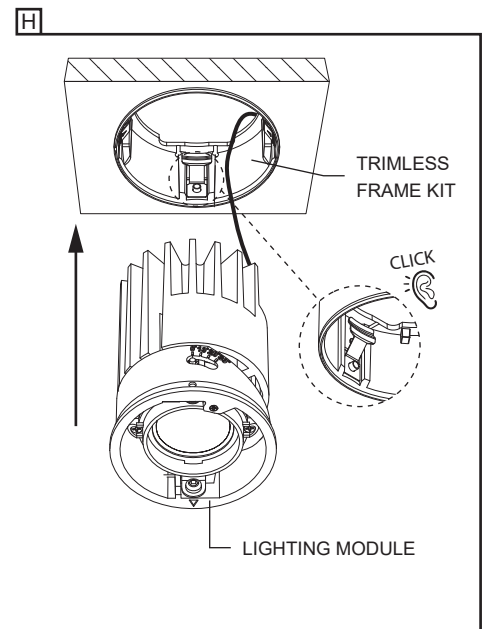
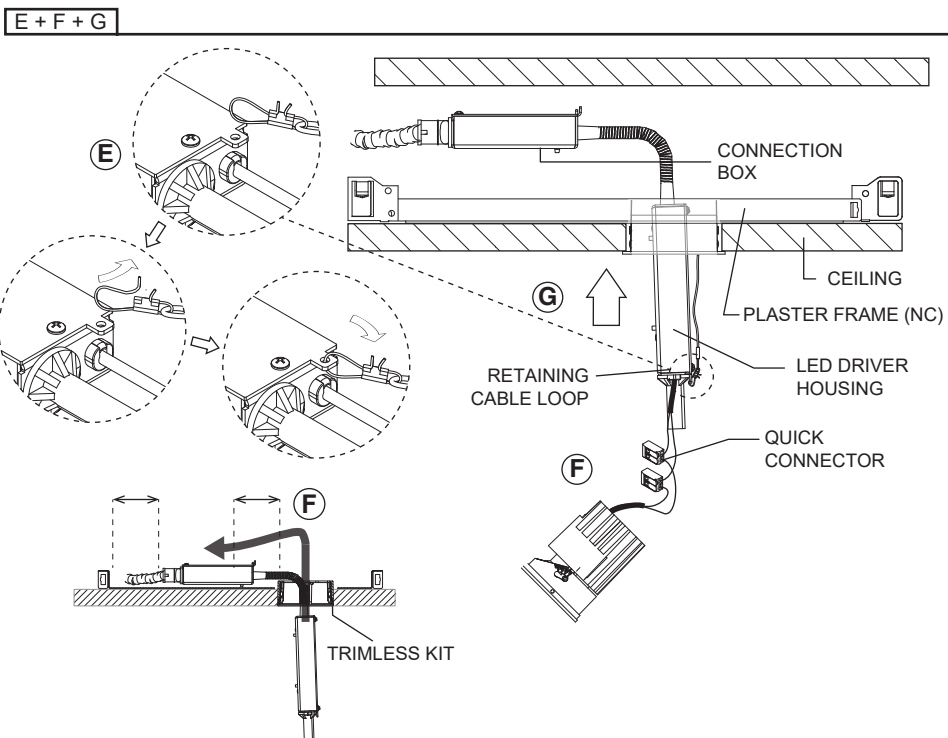
* FOLLOWING STEPS A TO D FROM PREVIOUS PAGE:

E- HOOK THE RETAINING CABLE'S LOOP ON THE LED DRIVER HOUSING.

F- CONNECT THE FIXTURE TO THE DRIVER USING THE QUICK CONNECTORS. PASS THE DRIVER ABOVE THE TRIMLESS KIT AND ROTATE THE DRIVER TO A HORIZONTAL POSITION. PLACE IT INSIDE THE PLASTER FRAME. MAINTAIN PROPER CLEARANCE BETWEEN THE DRIVER BOX AND THE LIGHTING FIXTURE.

G- STARTING WITH THE CONNECTION BOX, CAREFULLY INSERT THE ASSEMBLY THROUGH THE FRAME KIT INTO THE CEILING.

H- INSERT LIGHTING MODULE INTO THE FRAME KIT UNTIL IT CLICKS IN PLACE.



OPTICAL ADJUSTMENT AND FINAL ASSEMBLY

- A- THE OPTICAL ORIENTATION CAN CHANGE FOR 30°, WITH MANUAL ADJUSTEMENT.
- B- INSERT THE BAFFLE INTO THE TRIM UNTIL IT CLICKS INTO PLACE.

