


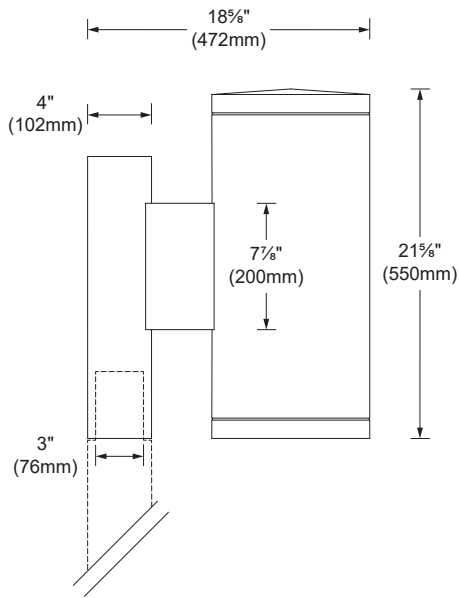


Minimalist pole-top luminaire for urban illumination and direct lighting. Its asymmetric optic is directed downwards allowing optimum light distribution. Build with exceptional European quality with high corrosion resistant finish, robust marine grade die-cast aluminum construction, stainless steel fasteners and factory sealed glass diffuser.

Luminaire characteristics:	Power input: 41.5W (per lamp) Lumens: 2614lm (per lamp - for 4000K, 80CRI) Luminaire efficacy: 62lm/W
Source:	White LED (LM-80 Tested) 4000K: 80CRI
Lumen maintenance:	70% of initial lumens at 50 000 hours (L70) (LM79 tested)
Optics:	Street optic: Type II distribution
Material:	Body: Die-cast aluminum Reflector: 99.98% pure aluminum Diffuser: 8mm thick clear toughened glass Hardware: Stainless steel screws and silicone gaskets
Mounting:	Pole top mounting using Ø4" pole with Ø3" x 4¼"H. tenon. Supplied with 3' (1m) long power cable.
Electrical:	Integral high efficiency dimmable LED driver, rated 50 000 hours, 120-277V.
Dimming:	Down to 15%, 0-10V (120-277V).
Finish:	Aluminum gray painted finish, following a double powder paint in 3 step process: surface treatment containing ceramic nano particles (Bonderite). Epoxy primer paint. Polyester powder paint with high resistance against UV rays and harsh weather conditions.
Weight:	Single: 36.8lb (16.7kg) Double: 71.7lb (32.5kg)
EPA:	Single: 2.26 ft ² (0.21m ²) Double: 3.98ft ² (0.37m ²)
Warranty:	5 year limited warranty.
Ratings:	IP65, IK09
Certification:	 cULus listed for wet location.

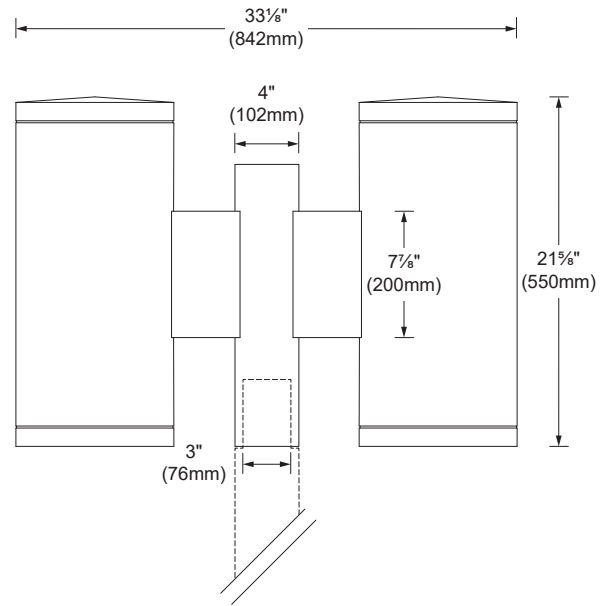
DIMENSIONS

S3973N

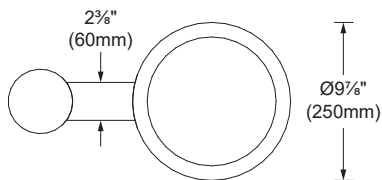


SIDE VIEW

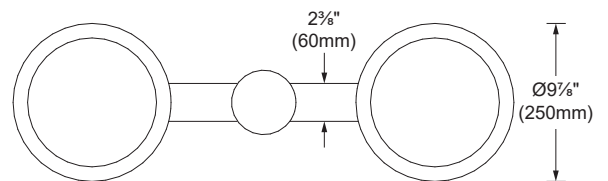
S3976N



SIDE VIEW



BOTTOM VIEW



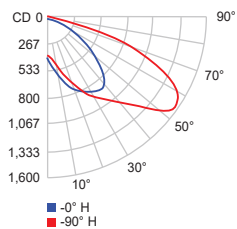
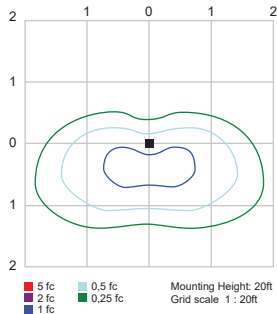
BOTTOM VIEW

PHOTOMETRIC DATA

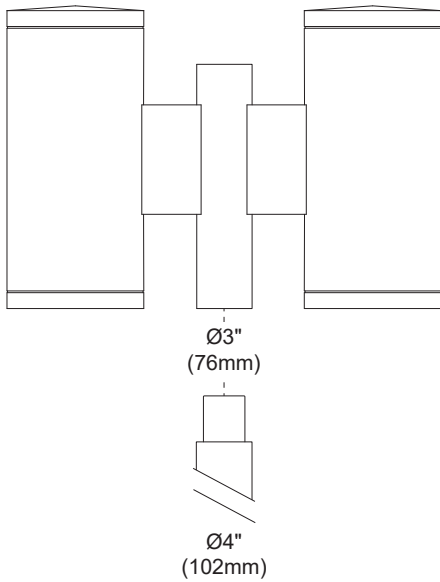
Visit sistimalux.com for complete photometric data.

LOAD (W)	CCT (K)	CRI	OPTIC	LUMENS (lm)	EFFICACY (lm / w)	MAX CANDELA (cd)	B.U.G.	MODEL
41.5W	4000K	80	Type 2	2614	62	1517	B1 - U0 - G1	S3973N

TYPE 2 - B1-U0-G1
4000K - 80 CRI



MOUNTING



POLE Ø4" (Ø 102mm)
With tenon Ø3", H:4³/₈" (Ø76mm, H:110mm)

SUPPLIED BY OTHER
CONTACT FACTORY FOR POLE DETAILS

SUPPLIED BY SISTEMALUX
CONTACT FACTORY FOR POLE SPECIFICATION

HEIGHT: _____ FT

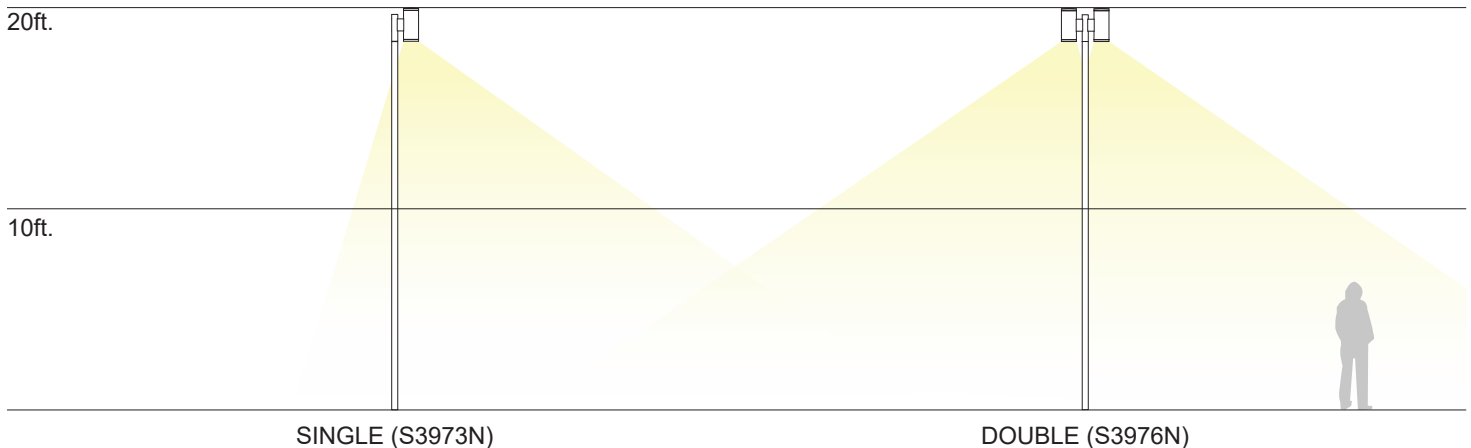
MODEL: Straight

INSTALLATION: Anchor bolts

ACCESS DOOR: Included (3' from ground)

MATERIAL: Aluminum
 Galvanized steel

FINISH: 14 - Gray
 Custom RAL _____



ORDERING INFO

- UNV - 14 - D10
FIXTURE

MODEL

S3973N - 4000K, Single

S3976N - 4000K, Double

OUTPUT

UNV - 120-277V

LED

14 - Aluminum gray

LED

D10 - 0-10V (down to 15%)