




Collection of specification grade downlights for architectural applications. Excellent build quality with features for the most demanding professional applications. Available in four sizes 3", 4", 5", 6" aperture with generous light outputs and excellent chromatic performance. Professional optics available with directional distribution.

<b>Luminaire characteristic:</b>	<p><b>Power input:</b> 9.5 or 13W  <b>Lumens:</b> 635 or 870lm (for 3000K, 80CRI)  <b>Luminaire efficacy:</b> Up to 67lm/W</p>
<b>Source:</b>	COB LED module (LM-80 tested) 3000K: 80CRI, 90CRI, 4000K: 80CRI.
<b>Lumen maintenance:</b>	LM79, 90% of initial lumens at 50 000 hours (L90), 80% of initial lumens at 100 000 hours (L80).
<b>Optic:</b>	<b>Adjustable:</b> Deep recessed reflector available with flood optic. Optical assembly hot aiming adjustment: 30° tilt and 359°pan.
<b>Material:</b>	Body: Die-cast aluminum optical assembly Reflector: Metalized polycarbonate Baffle: Painted polycarbonate
<b>Mounting:</b>	New construction with plaster frame for insulated ceiling (page 3).
<b>Electrical:</b>	Integral high efficiency power supply rated at 50 000 hours, 120V.
<b>Dimming:</b>	0-10V dimming (120-277V) or leading edge (TRIAC) and trailing edge (ELV) dimming (120V only). Both options down to ±15% dimming range.
<b>Finish:</b>	Powder coated body and baffle.
<b>Weight:</b>	2.15lbs (0.98kg).
<b>Warranty:</b>	5 year limited warranty.
<b>Rating:</b>	IP54
<b>Certification:</b>	 cULus listed for damp location. Interior use only.

**Quick ship:** Lead time is 10 working days from written receipt of order. For orders that exceed the maximum quantity (100), please contact our Customer Service for approval. We will do our best to accommodate your needs. All orders received after 3pm EST will be processed the next business day. Standard shipping terms apply.



**ORDERING INFO**

**LOG3 RT NC** - **AFL 120** -  
FIXTURE

**BN-LOG3RT-NC**  
HOUSING



**MODEL**

**R** - Round

**MOUNTING**

**T** - Trim

**INSTALLATION**

**NC** - new construction  
plaster frame

**OUTPUT**

**B** - Base output (9.5W)     **H** - High output (13W)

**LED**

**830** - 3000K, 80 CRI     **840** - 4000K, 80 CRI  
 **930** - 3000K, 90 CRI

**OPTIC**

**AFL** - Adjustable, Flood (42°)

**VOLTAGE**

**120** - 120V

**FINISH** (trim finish / baffle finish)

**White trim**

**01** - White / white

**Black trim**

**02** - Black / black



**DIMMING\***

**LTE** - Leading edge and trailing edge  
(down to 15%)<sup>(1)</sup>

**D10** - 0-10V (down to 15%)

<sup>(1)</sup> Available for daisy chain connections.

\* The dimming levels will vary depending on the dimmer used and the number of luminaires on the line.



## INSTALLATION

### New construction with plaster frame (NC)

Plaster frame with hanger bars system to be installed during rough-in phase. Suitable for non-insulated new construction ceiling assemblies, like sheetrock, acoustic tiles, or paneling. Housing and trim can be shipped separately.

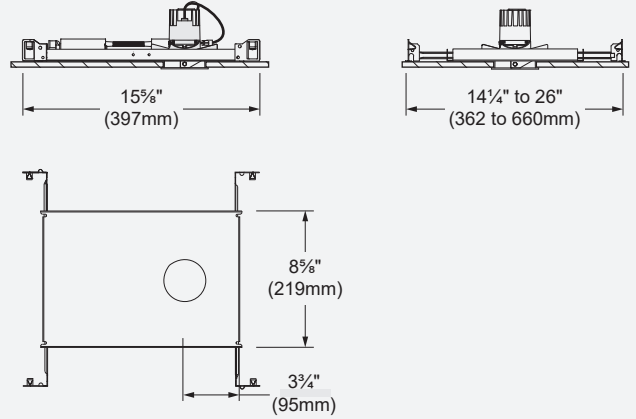
**Minimum ceiling clearance:** 5½" (140mm)

**Ceiling thickness:** ¼" - 1" (3 - 27mm)

**Total weight:** 3.35lbs (1.52kg)

**Cut-out:** Ø 2¾" (Ø 71mm)

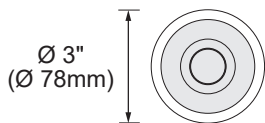
**Plaster frame codes:** BN-LOG3RT-NC





**MODEL**

TRIM



**LED COLOR FIDELITY DATA**

CRI	CCT	R1	R2	R3	R4	R5	R6	R7	R8	R9	R10	R11	R12	R13	R14	R15	Rf	Rg	Melanopic ratio
80	3000K	81	92	96	81	82	90	82	58	5	82	81	73	84	98	-	85	95	0.528
	4000K	82	91	96	82	83	87	86	65	11	78	82	65	85	98	-	85	95	0.694
90	3000K	94	97	99	94	94	96	93	83	62	92	95	84	95	99	-	93	99	0.563

**PHOTOMETRIC DATA**

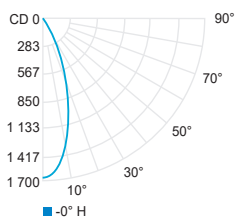
Visit [sisternalux.com](http://sisternalux.com) for complete photometric data.



CCT (K)	CRI	OUTPUT	LOAD (W)	OPTIC	LUMENS (lm)	EFFICACY (lm / W)	MAX CANDELA (cd)	MODELS
3000K	80	B	9.5W	Flood 42°	635	66	1 220	LOG3R-B-AFL
		H	13W	Flood 42°	870	67	1 675	LOG3R-H-AFL

\*USE MULTIPLIER TABLE BELOW FOR OTHER CCT AND CRI OUTPUT DATA

H Flood 40° (3000K, 80CRI)



Center beam fc	Beam width ft
2ft 420	1.5
4ft 105	3.1
6ft 46.6	4.6
8ft 26.2	6.1
10ft 16.8	7.6
12ft 11.7	9.2

CCT options	3000K	3000K	4000K
CRI options	80CRI	90CRI	80CRI
<b>Multiplier</b>	<b>1</b>	<b>0.81</b>	<b>1.02</b>