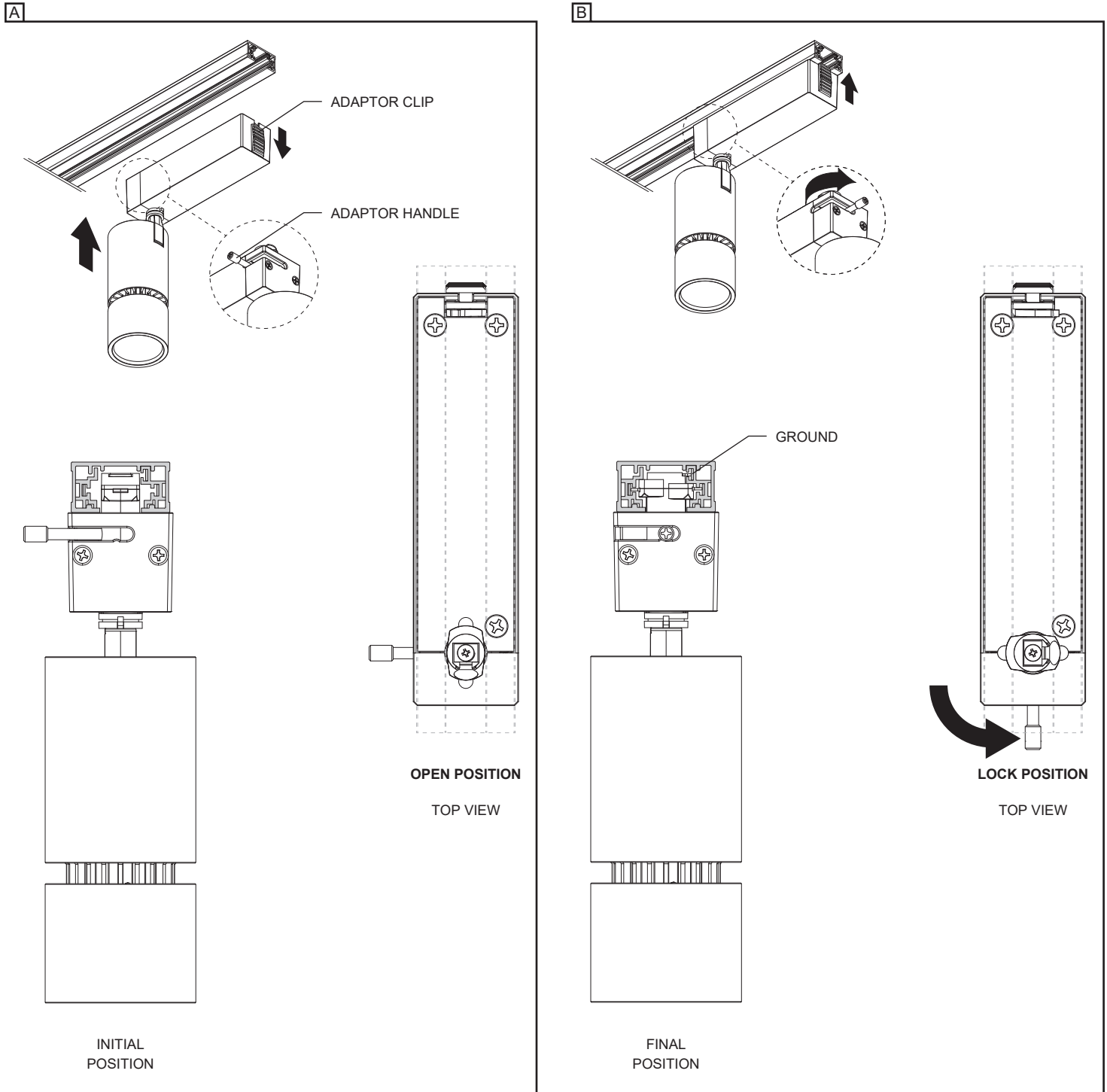


**IMPORTANT** - READ CAREFULLY BEFORE INSTALLING FIXTURE. RETAIN THESE INSTRUCTIONS FOR FUTURE REFERENCE.  
THIS PRODUCT MUST BE INSTALLED IN ACCORDANCE WITH THE NATIONAL ELECTRICAL CODE AND ALL APPLICABLE LOCAL CODES, BY A PERSON FAMILIAR WITH THE CONSTRUCTION AND OPERATION OF THE PRODUCT, AND THE HAZARDS INVOLVED. PROPER GROUNDING IS REQUIRED FOR SAFETY.

**INSTALLING PROJECTOR ON ONE CIRCUIT SISTEMALUX 8000-S1 SERIES TRACK (120V)**

FOR USE WITH **SISTEMALUX 8000-S1 SERIES** TRACK SYSTEM ONLY (120V).

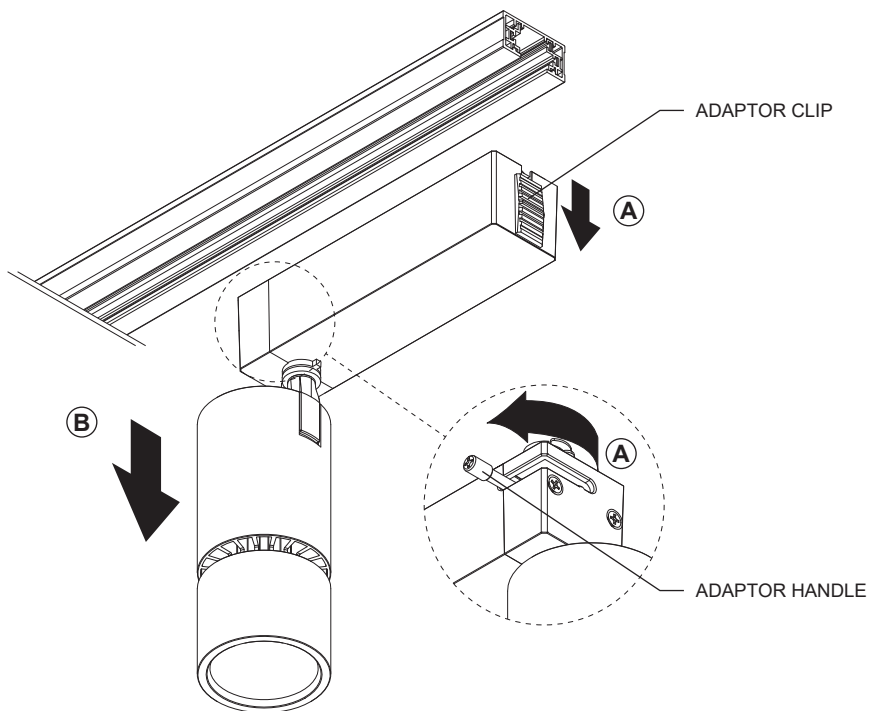
- A- PUSH DOWN THE ADAPTOR CLIP AND HOLD THE ADAPTOR HANDLE IN THE OPEN POSITION TO INSERT IN THE TRACK.
- B- PLACE THE PROJECTOR IN THE TRACK AND RELEASE THE CLIP. ROTATE THE TRACK ADAPTOR HANDLE TO LOCK THE FIXTURE IN PLACE AND ALLOW ELECTRICAL BONDING.



**REMOVING PROJECTOR FROM ONE CIRCUIT TRACK**

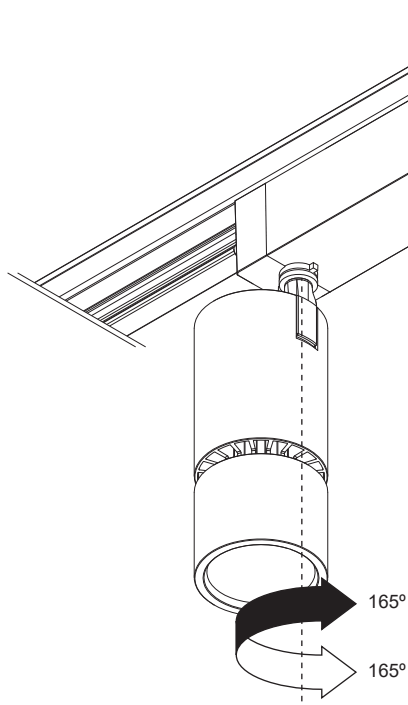
- A- PUSH AND HOLD THE ADAPTOR CLIP DOWN. ROTATE THE ADAPTOR HOUSING HANDLE TO THE OPEN POSITION.
- B- REMOVE THE FIXTURE FROM THE TRACK.

A + B



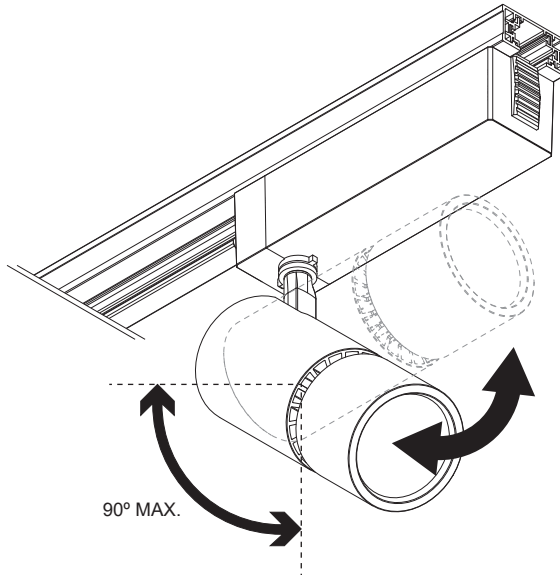
**PAN ANGLE POSITION**

ADJUST THE FIXTURE TO DESIRED PAN POSITION (MAXIMUM OF 330° AXIAL ROTATION).



**TILT ANGLE POSITION**

ADJUST THE FIXTURE TO DESIRED TILT POSITION (MAXIMUM OF 90° AXIAL ROTATION).



**REPLACING COMPONENTS FOR REFLECTOR MODELS**

A - UNSCREW THE OPTIC HOLDER TO ACCESS THE COMPONENTS.  
B - REPLACE THE REFLECTOR AND RE-INSTALL THE OPTIC HOLDER BACK IN PLACE.

**A + B**

