

Collection of wall mounted luminaires for exterior applications. Lift has an innovative optical system that produces pleasing graphic effects. By using a combination of flood or narrow spot beams, this luminaire offers limitless possibility of lighting effects.

Luminaire characteristics:	Power input sytem: 9.5W Lumen system for 3000k, 80CRI: 20lm to 38lm Luminaire efficacy for 3000k, 80CRI: Up to 16lm/W
Source:	LED module (LM-80 tested) 2700K: 80CRI, 3000K: 80CRI, 4000K: 80CRI.
Lumen maintenance:	80% of initial lumens at 70 000 hours (L80 B10) Ta 77° (25°) 80% of initial lumens at 50 000 hours (L80 B10) Ta 104° (40°)
Optics:	Narrow spot or flood.
Material:	Body: Die-cast aluminum Diffuser: Clear tempered glass. Methacrylate concentrating lens combined with a narrow beam shutter is used to achieve a blade of light effect. Hardware: Stainless steel screws and silicone gaskets
Electrical:	Universal high efficiency electronic LED driver rated at 50 000 hours, 120-277V.
Dimming:	0-10V (120-277V), down to 15%.
Mounting:	Install on a standard 4" octagonal junction box.
Finish:	Aluminum gray, black
Weight:	3.7lb (1.7kg).
Warranty:	5 year limited warranty.
Ratings:	IP65, IK06
Certification:	cULus listed for wet location



ORDERING INFO

- UNV -

FIXTURE



MODEL

- S5087** - 4 x 3° Narrow spot **S5097** - 4 x 43° Flood

LED

- H** - 2700K, 80CRI **W** - 3000K, 80CRI **N** - 4000K, 80CRI

VOLTAGE

- UNV** - 120-277V

FINISH

- 09** - Black **14** - Aluminum gray

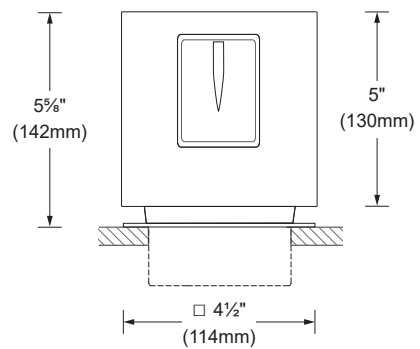
DIMMING

- D10** - 0-10V

DIMENSIONS



FRONT VIEW



BOTTOM VIEW

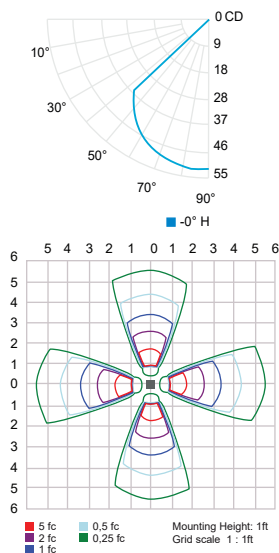
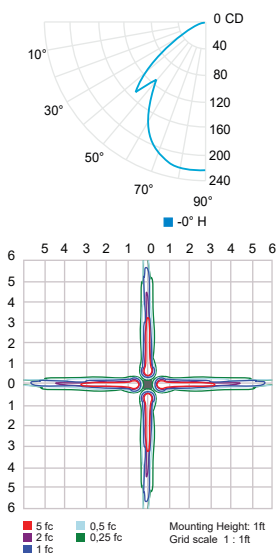
PHOTOMETRIC DATA

Visit sistimalux.com for complete photometric data.

CCT (K)	CRI	LOAD (W)	OPTIC	LUMENS (lm)	EFFICACY (lm / W)	MAX CANDELA (cd)	MODELS
3000K	80	9.5W	4 x 5° Narrow spot	20	8	236	S5087W
			4 x 45° Flood	38	16	51	S5097W

4 x 5° Narrow spot (3000K, 80CRI)

4 x 45° Flood (3000K, 80CRI)



CCT options	2700K	3000K	4000K
CRI options	80CRI	80CRI	80CRI
Multiplier	0.94	1	1.07