

Collection of LED track projectors for commercial applications. Dim to warm technology - 3000K to 1800K. Timeless design with harmonious proportions this elegant series of projectors is suitable for most modern interiors. Proprietary heat sink design with exceptional thermal performance yields reliable color consistency and output performance during the life of the product.

**Luminaire characteristics:**

**Power input:** 15W  
**Lumens:** 810lm to 890lm (for 3000K, 90CRI)  
**Luminaire efficacy:** Up to 59lm/W

**Source:** BRIDGELUX DIM TO WARM LED MODULE (LM-80). 3000K - 1800K, 90CRI.

**Lumen maintenance:** 90% of initial lumens at 100 000 hours (L90).

**Optics:** Available in spot, flood and wide flood.

**Material:** Optical body, pivot arm and trim: Die-cast aluminum  
Heat sink: Aluminum alloy.  
Lens: PMMA TIR lens.

**Mounting:** **Tracks:** Sistemalux one circuit. Juno®.  
**Canopy:** Round canopy, mounted on a 4" standard octagonal junction box.

**Adjustment:** Tilt adjustment: 90°, Pan adjustment: 165°/165°.

**Electrical:** Integral high efficiency LED driver rated at 50 000 hours, 120V.


**Dimming:** Leading (TRIAC) and trailing edge (ELV) dimming (120V only), down to 5%.

**Finish:** White (RAL9003) or matte black.  
Track adaptor or canopy will match fixture color.

**Weight:** 1.4lb (0.64kg)

**Warranty:** 5 year limited warranty.

**Ratings:** IP20

**Certification:**  cULus listed for damp location for canopy model. cULus listed for dry location for track model.

**ORDERING INFO**

**1760 - BO - D91830 - - 120 - - LTE**

FIXTURE



**MOUNTING**

- S1** - Sistemalux one circuit track<sup>(1)</sup>     **J** - Juno<sup>(2)</sup>     **C** - Canopy

**OUTPUT**

- BO** - Base output

**LED**

- D91830** - 1800-3000K, 90 CRI

**OPTIC**

- LSP** - 25°     **LFL** - 37°     **LWF** - 51°

**VOLTAGE**

- 120** - 120V

**FINISH**

- 01** - White     **52** - Black matte

**DIMMING\*\***

- LTE** - Leading and trailing edge (120V only)

<sup>(1)</sup> 8000-S1 series. Also compatible with Cooper Lighting's Halo® L series tracks.

<sup>(2)</sup> Compatible with one circuit Juno® T series tracks.

**ACCESSORIES** (TO BE ORDERED SEPARATELY)

Fixture can hold a maximum of 2 accessories at a time.

SOFT FOCUS LENS

1593



FROSTED LENS

1599



ELLIPTIC LENS

1598



BLACK HEX CELL LOUVER

1596-52



BLACK CROSS BAFFLE

1594-52 - Length: 5/8" (15mm)



BLACK SNOOT

1597-52 - Length: 1 1/8" (29mm)



WHITE SNOOT / BLACK INTERIOR

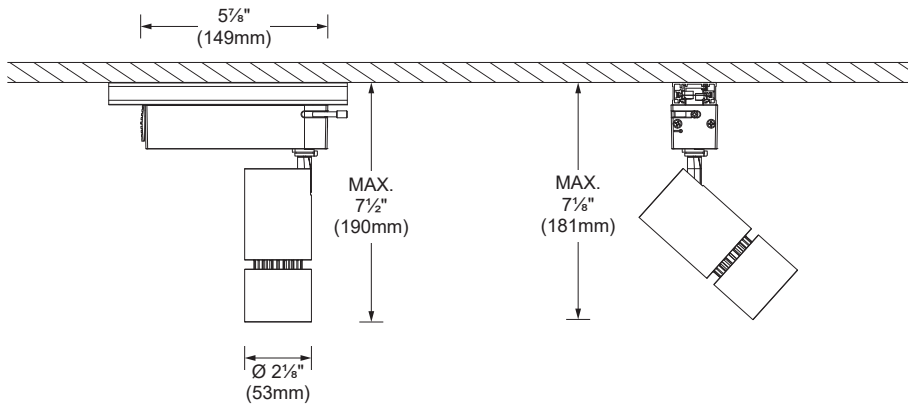
1597-21 - Length: 1 1/8" (29mm)

BLACK VISOR WALL WASHER

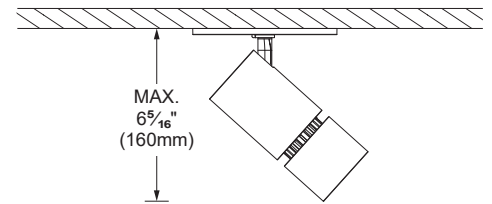
1595-52 - Length: 1 5/16" (33mm)



**MOUNTING**



**1760S1 / J**  
suitable for ceiling



**1760C**  
suitable for ceiling and wall

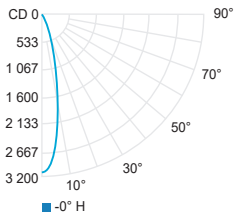
**PHOTOMETRIC DATA**

Photometric performance is measured at an accredited independent laboratory in accordance with IESNA LM-79. Visit [sistimalux.com](http://sistimalux.com) for complete photometric data.

CCT (K)	CRI	LOAD (W)	OPTIC	LUMENS (lm)	EFFICACY (lm/w)	MAX CANDELA (cd)	MODELS
3000K	90	15W	Spot 25°	816	54	3 195	1760-D91830-LSP
			Flood 37°	891	59	1 930	1760-D91830-LFL
			Wide flood 51°	810	54	1 005	1760-D91830-LWF

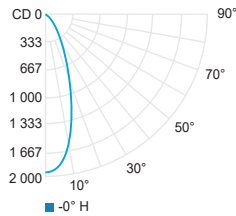
\* DATA SHOWN FOR NON DIMMED LUMINAIRE (100% OUTPUT)

Spot 25° (3000K, 90CRI)



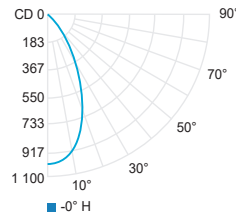
Center beam fc	Beam width ft
2ft	799
4ft	200
6ft	88.8
8ft	50.0
10ft	32.0
12ft	22.2

Flood 37° (3000K, 90CRI)



Center beam fc	Beam width ft
2ft	483
4ft	121
6ft	53.7
8ft	30.2
10ft	19.3
12ft	13.4

Wide flood 51° (3000K, 90CRI)



Center beam fc	Beam width ft
2ft	251
4ft	62.8
6ft	27.9
8ft	15.7
10ft	10.1
12ft	6.98

**COLOR TEMPERATURE DIMMING BEHAVIOR**

