


Wall recessed luminaire. The front ring and lamp body are cast together as a single piece thus preventing any infiltrations from the top of the luminaire.



Luminaire characteristic:

Power input: 0.8W (system wattage)
Lumens: 12lm (for 3000K, 90CRI)
Luminaire efficacy: 15lm/W

Source:	White LED (LM-80), 2700K: 90CRI, 3000K: 90CRI, 4000K: 80CRI.
Lumen maintenance:	80% of initial lumens at 70 000 hours (L80) (LM-79).
Optic:	Asymmetrical with clear diffuser.
Material:	Body: AISI 316L monoblock stainless steel. Back box: Polypropylene
Mounting:	Concrete wall installation with back box. Supplied with 16'(5m) cable.
Electrical:	High efficiency LED driver, rated at 50 000 hours. See remote LED driver options on page 2.
Finish:	Stainless steel.
Weight:	1.41lbs (0.64kg)
Warranty:	5 year limited warranty.
Rating:	IP65, IP67, IK08
Certification:	 cULus listed for wet location

ORDERING INFO



PRODUCT CODE		BACKBOX	
<input type="text"/>	<input type="text"/>	<input type="text"/>	<input type="text"/>
MODEL	LED	VOLTAGE	FINISH
S3354 Round wall Asymmetrical	H 2700K, 90CRI	REM Remote	19 Stainless steel
	W 3000K, 90CRI		
	N 4000K, 80CRI		

REMOTE LED DRIVER OPTIONS (TO BE ORDERED SEPARATELY)

PRODUCT CODE DRIVER CODE

Outdoor rated drivers

Driver box model	Min-max units
	0.5W*
4545-0024-075-UNV-ND	1-90
4549-0024-075-UNV-D10	1-90
4551-0024-080-120-LTE	40-96

Indoor rated drivers

Driver box model	Min-max units
	0.5W*
4444-0024-020-120-ND	1-28
4449-0024-060-UNV-D10	1-72

* Wattage requirement for one (1) fixture (Remote fixture only).

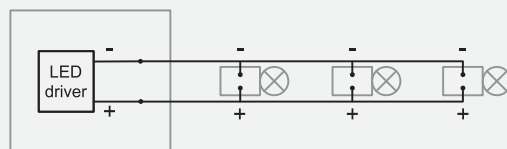
Driver code example

XXXX	-0024	-XXX	-XXX	-XXX
MODEL	CONSTANT VOLTAGE	WATTAGE	VOLTAGE	DIMMING PROTOCOL
4444 6" x 4" x 3" (152 x 102 x 76mm)	0024 24V	020 to 080 20W to 80W	120 120V	ND No dimming Max distance: 6m (20ft)**
4449 12" x 8" x 4" (305 x 203 x 102mm)				UNV 120-277V
4545 11" x 3" x 2" (279 x 76 x 51mm)				D10 0-10V Max distance: 6m (20ft)** (down to 10%)
4549 14.5" x 5" x 3.5" (368 x 127 x 89mm)				LTE Leading edge and trailing edge (ELV and TRIAC) Max distance: 6m (20ft)** (down to 15%)
4551 14.5" x 5" x 2" (368 x 127 x 51mm)				

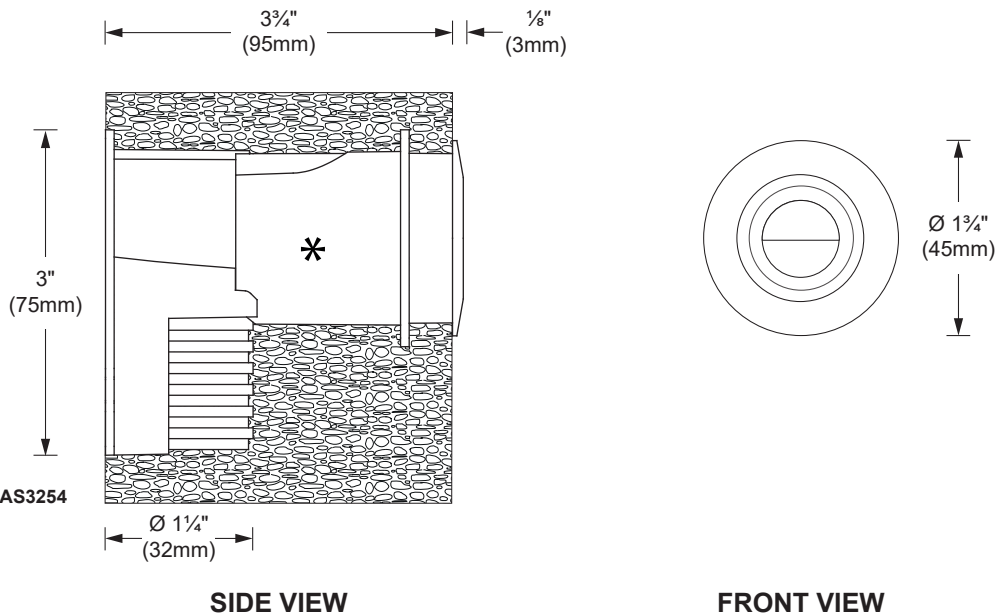
** Max distance cable calculated for 16AWG cable. Contact customer service for longer remote distance.

WIRING DIAGRAMS

Multiple luminaires must be connected in parallel.



DIMENSIONS



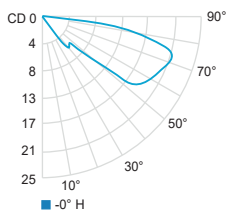
*Supplied with back box : CAS3254

PHOTOMETRIC DATA

CCT (K)	CRI	LOAD (W)	OPTIC	LUMENS (lm)	EFFICACY (lm / W)	MAX CANDELA (cd)	MODELS
3000K	90	0.8W	Asymmetrical	12	15	21	S3354W

*For products that uses a remote led driver, total system wattage will varies according to the efficacy of the remote led driver selected. For this reason, the load and efficacy values given in the table above refers to the led source only and does not include the led driver consumption.

Asymmetrical (3000K, 90 CRI)



	Center Beam fc	Beam Width ft
0.17ft	0.69	0.10
0.33ft	0.18	0.19
0.50ft	0.08	0.29
0.67ft	0.04	0.38
0.83ft	0.03	0.48
1.00ft	0.02	0.57

CCT options	2700K	3000K	4000K
CRI options	90CRI	90CRI	80CRI
Multiplier	0.92	1	1.08