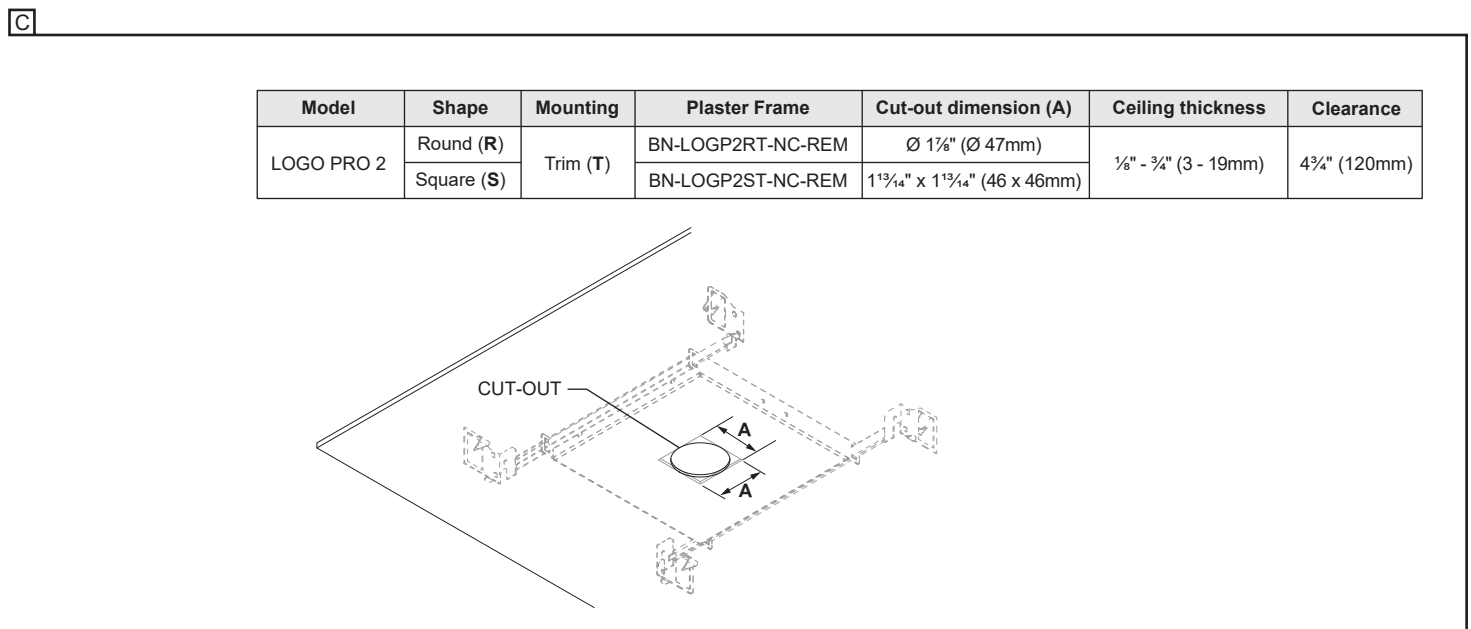
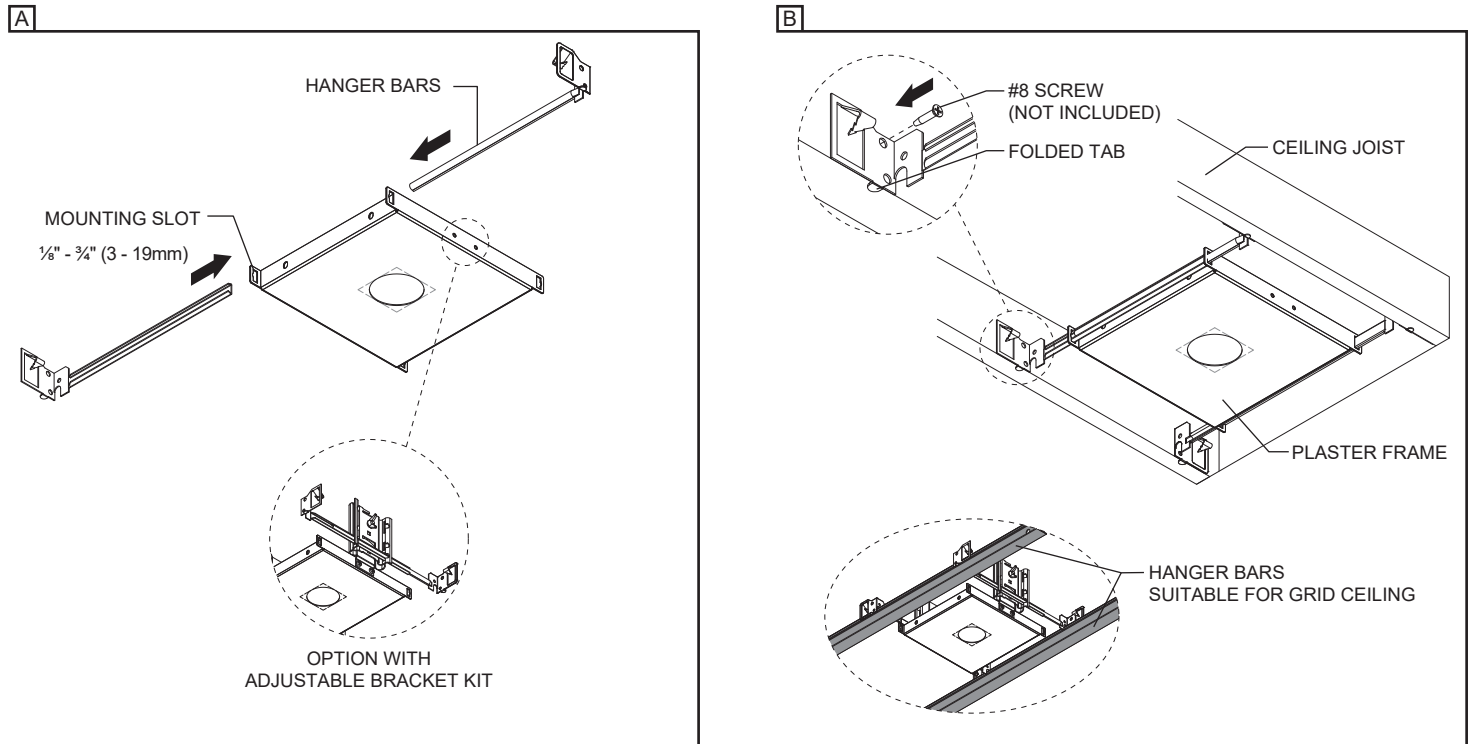


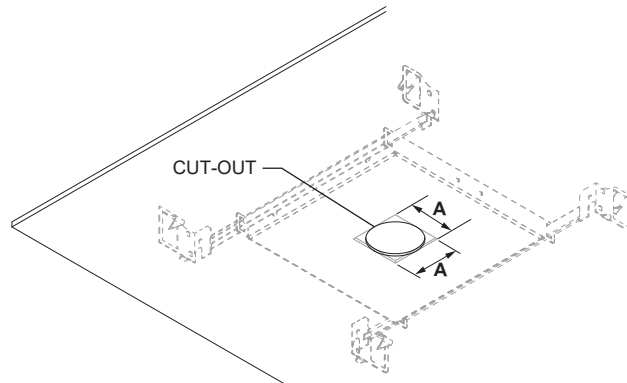
**IMPORTANT** - READ CAREFULLY BEFORE INSTALLING FIXTURE. RETAIN THESE INSTRUCTIONS FOR FUTURE REFERENCE. THIS PRODUCT MUST BE INSTALLED IN ACCORDANCE WITH THE NATIONAL ELECTRICAL CODE AND ALL APPLICABLE LOCAL CODES, BY A PERSON FAMILIAR WITH THE CONSTRUCTION AND OPERATION OF THE PRODUCT, AND THE HAZARDS INVOLVED. PROPER GROUNDING IS REQUIRED FOR SAFETY.

## NEW CONSTRUCTION PLASTER FRAME INSTALLATION (NC) - TRIM

- A- ENGAGE (4) HANGER BARS IN HOUSING SLOTS AVAILABLE AND CONNECT THEM TOGETHER.
- B- FASTEN HANGER BARS TO CEILING JOISTS WITH #8 SCREWS (NOT INCLUDED). USE THE SMALL FOLDED TAB AT THE END OF THE BARS TO ALIGN WITH THE CEILING JOISTS. HANGER BARS ARE ALSO SUITABLE FOR GRID CEILING.
- C- MAKE THE CUT-OUT OPENING (SEE DIMENSIONS BELOW).



Model	Shape	Mounting	Plaster Frame	Cut-out dimension (A)	Ceiling thickness	Clearance
LOGO PRO 2	Round (R)	Trim (T)	BN-LOGP2RT-NC-REM	Ø 1 7/8" (Ø 47mm)	1/8" - 3/4" (3 - 19mm)	4 3/4" (120mm)
	Square (S)		BN-LOGP2ST-NC-REM	1 13/14" x 1 13/14" (46 x 46mm)		



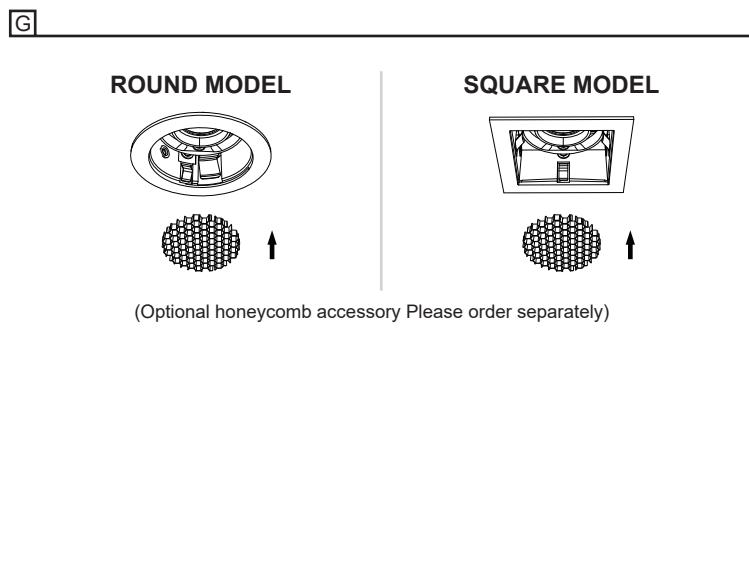
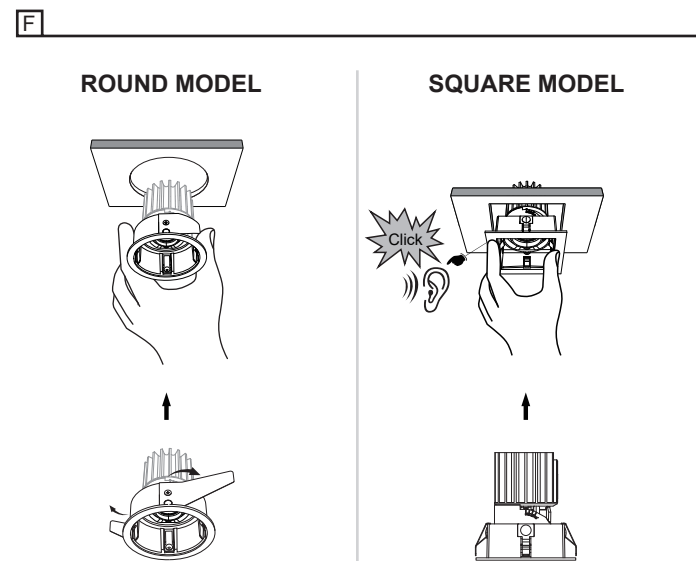
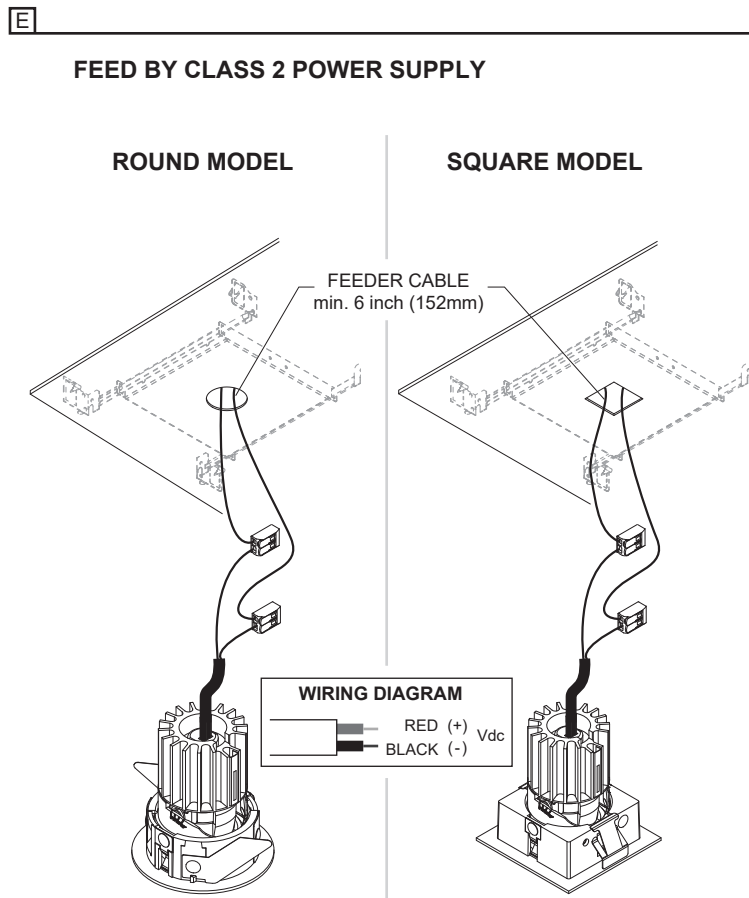
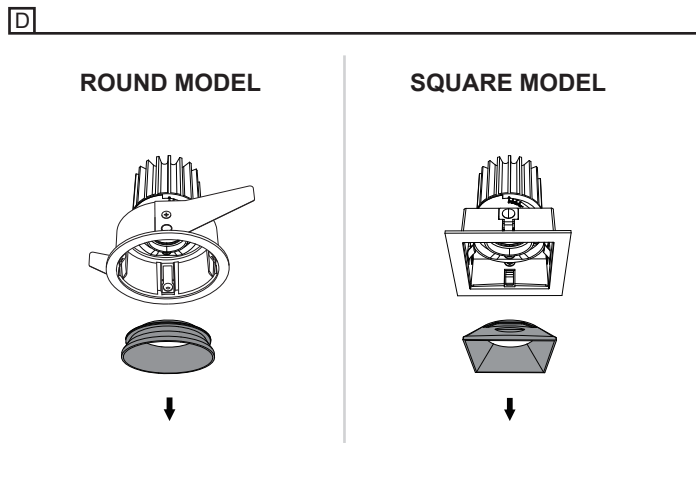
D- REMOVE BAFFLE FROM THE LIGHTING FIXTURE.

E- MAKE ALL NECESSARY CONNECTIONS USING THE QUICK CONNECTORS (INCLUDED). USE ONLY WITH CLASS 2 POWER SUPPLY.

F- **ROUND MODEL**: BEND AND HOLD SPRINGS AGAINST FIXTURE BODY AND ROTATE IN SPECIFIED DIRECTION (SEE BELOW) WHILE PUSHING UPWARD TO INSERT THE FIXTURE INTO THE CUT-OUT OF CEILING.

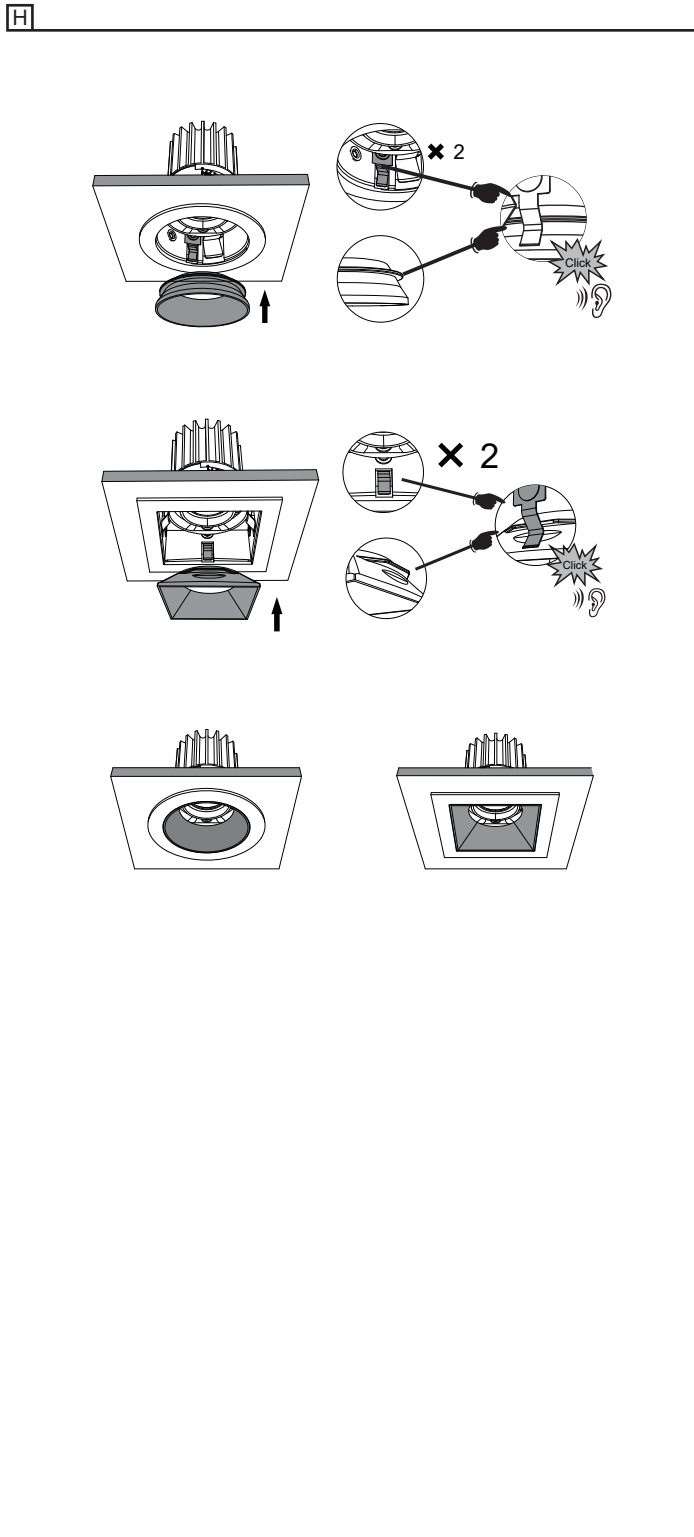
**SQUARE MODEL**: ADJUST THE CLIP GAP DEPENDING ON THE CEILING THICKNESS. INSERT FIXTURE INTO THE CUT-OUT OF CEILING UNTIL IT CLICKS IN PLACE TO BE SECURED.

G- (Optional) INSERT HONEYCOMB ACCESSORY IF APPLICABLE.



**FOR FIXED ORIENTATION**

H- ALIGN THE BAFFLE AND PUSH IT INTO THE TRIM UNTIL IT CLICKS IN PLACE.



**FOR ADJUSTABLE ORIENTATION**

H- THE OPTICAL ORIENTATION CAN CHANGE FOR 30° TILT AND 355° PAN WITH MANUAL ADJUSTEMENT.  
I- ALIGN THE BAFFLE AND PUSH IT INTO THE TRIM UNTIL IT CLICKS IN PLACE.

