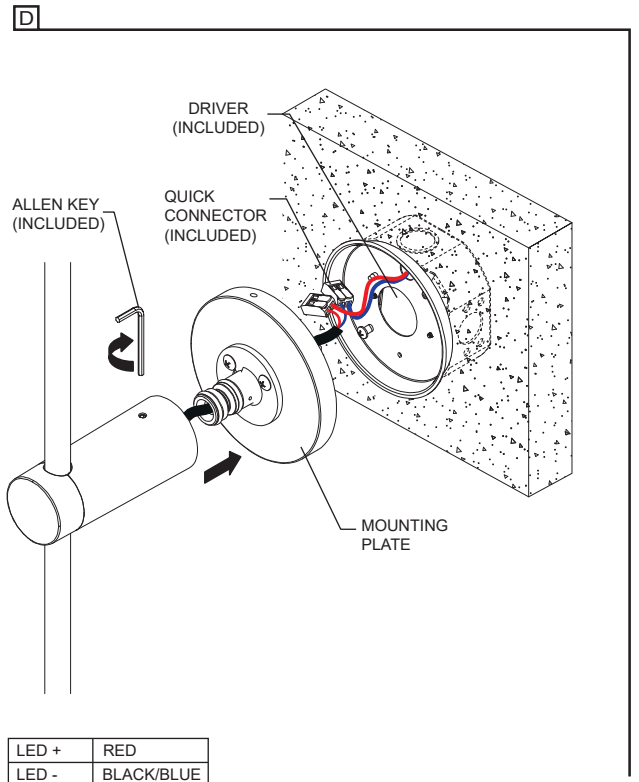
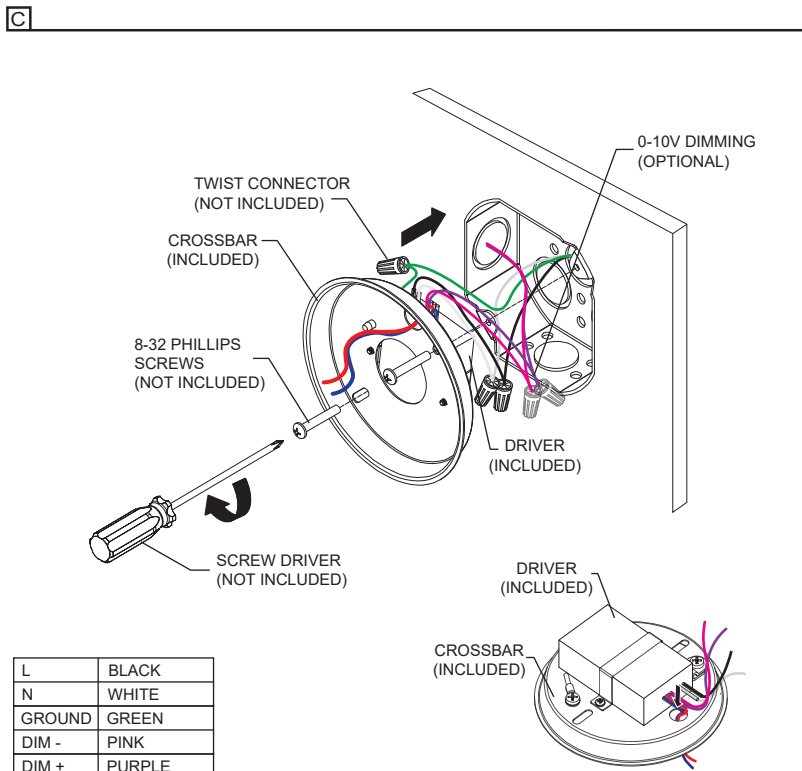
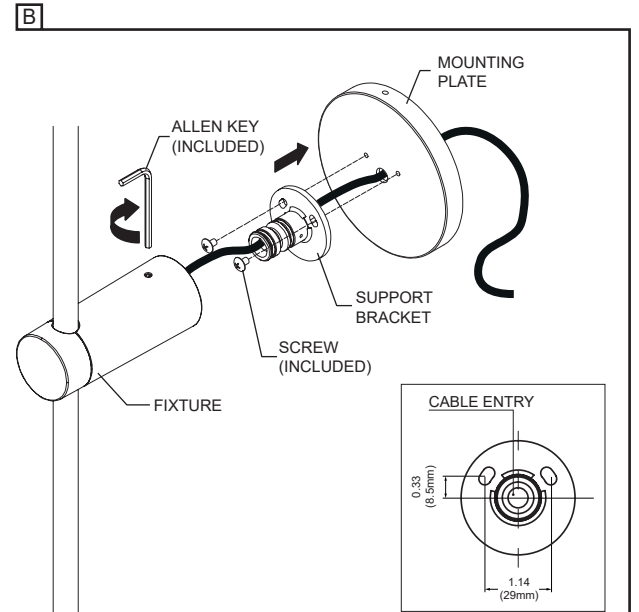
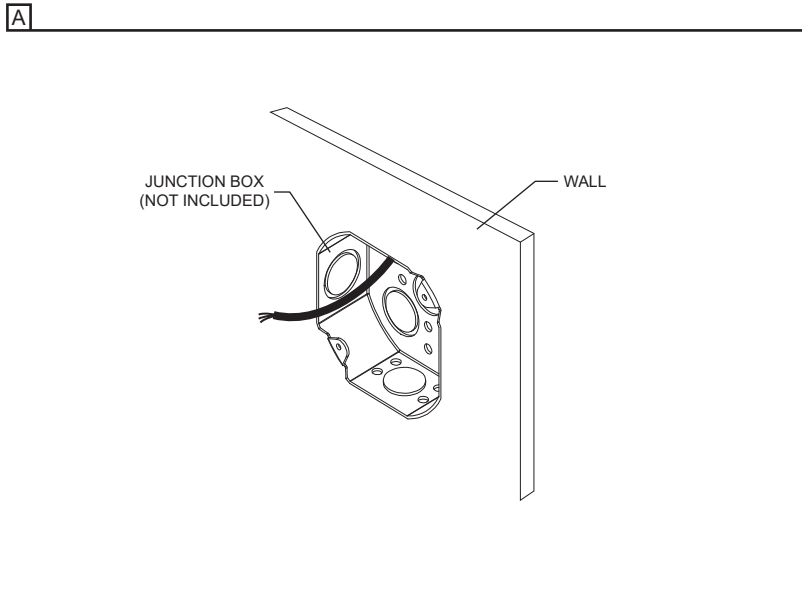


IMPORTANT - READ CAREFULLY BEFORE INSTALLING FIXTURE. RETAIN THESE INSTRUCTIONS FOR FUTURE REFERENCE.
THIS PRODUCT MUST BE INSTALLED IN ACCORDANCE WITH THE NATIONAL ELECTRICAL CODE AND ALL APPLICABLE LOCAL CODES, BY A PERSON FAMILIAR WITH THE CONSTRUCTION AND OPERATION OF THE PRODUCT, AND THE HAZARDS INVOLVED. PROPER GROUNDING IS REQUIRED FOR SAFETY.

4" JUNCTION BOX INSTALLATION WITH INTEGRAL DRIVER 120-277V (JB-UNV)

- A - PREPARE SURFACE FOR INSTALLATION USING 4" OCTAGONAL JUNCTION BOX. IT IS RECOMMENDED TO USE A 2" DEPT JUNCTION BOX.
- B - USING THE ALLEN KEY (**INCLUDED**) REMOVE THE SUPPORT BRACKET FROM THE FIXTURE. FIX THE SUPPORT BRACKET ON THE MOUNTING PLATE USING THE 2 PHILIPS SCREW (**INCLUDED**).
- C - MAKE ALL NECESSARY CONNECTIONS FOR THE BRANCH CIRCUIT AND DIMMING. 0-10V (OPTIONAL) IF NOT USING 0-10V DIMMING, COVER THE 0-10V WIRES WITH A TWIST CONNECTOR. THEN FIX THE CROSSBAR (**INCLUDED**) WITH THE JUNCTION BOX USING #8-32 SCREWS (**NOT INCLUDED**).
- D - INSERT THE FIXTURE IN THE SUPPORT BRACKET THEN TIGHTEN IT WITH AN ALLEN KEY. MAKE ALL THE NECESSARY CONNECTIONS FOR THE LED WIRES WITH THE QUICK CONNECTORS (**INCLUDED**).

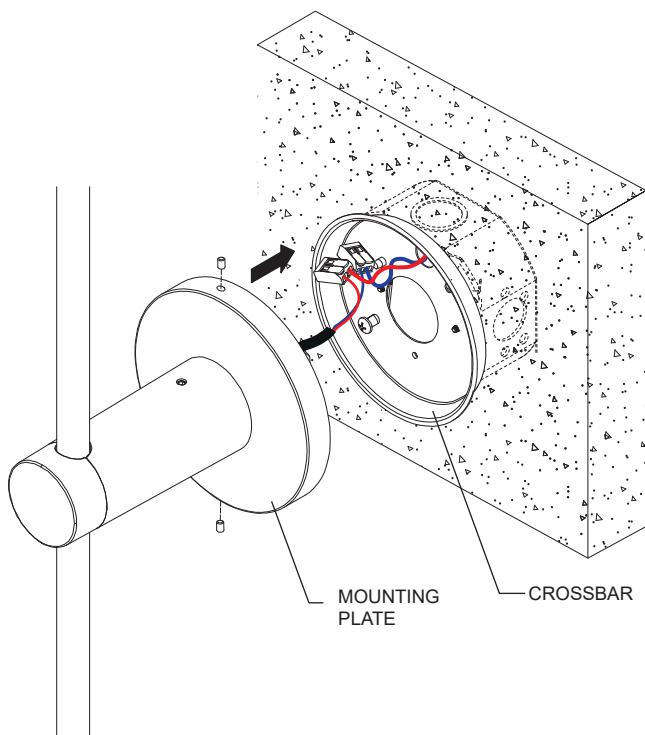


4" JUNCTION BOX INSTALLATION WITH INTEGRAL DRIVER 120-277V (JB-UNV)

E- PUSH WIRE IN THE CROSSBAR AND INSTALL THE MOUNTING PLATE ON THE CROSSBAR.

F- USING THE ALLEN KEY (INCLUDED), FIX THE MOUNTING PLATE USING 2 SET SCREWS (INCLUDED) AND APPLY SILICONE AROUND THE MOUNTING PLATE.

E



F

