

**IMPORTANT** - READ CAREFULLY BEFORE INSTALLING FIXTURE. RETAIN THESE INSTRUCTIONS FOR FUTURE REFERENCE. THIS PRODUCT MUST BE INSTALLED IN ACCORDANCE WITH THE NATIONAL ELECTRICAL CODE AND ALL APPLICABLE LOCAL CODES, BY A PERSON FAMILIAR WITH THE CONSTRUCTION AND OPERATION OF THE PRODUCT, AND THE HAZARDS INVOLVED. PROPER GROUNDING IS REQUIRED FOR SAFETY.

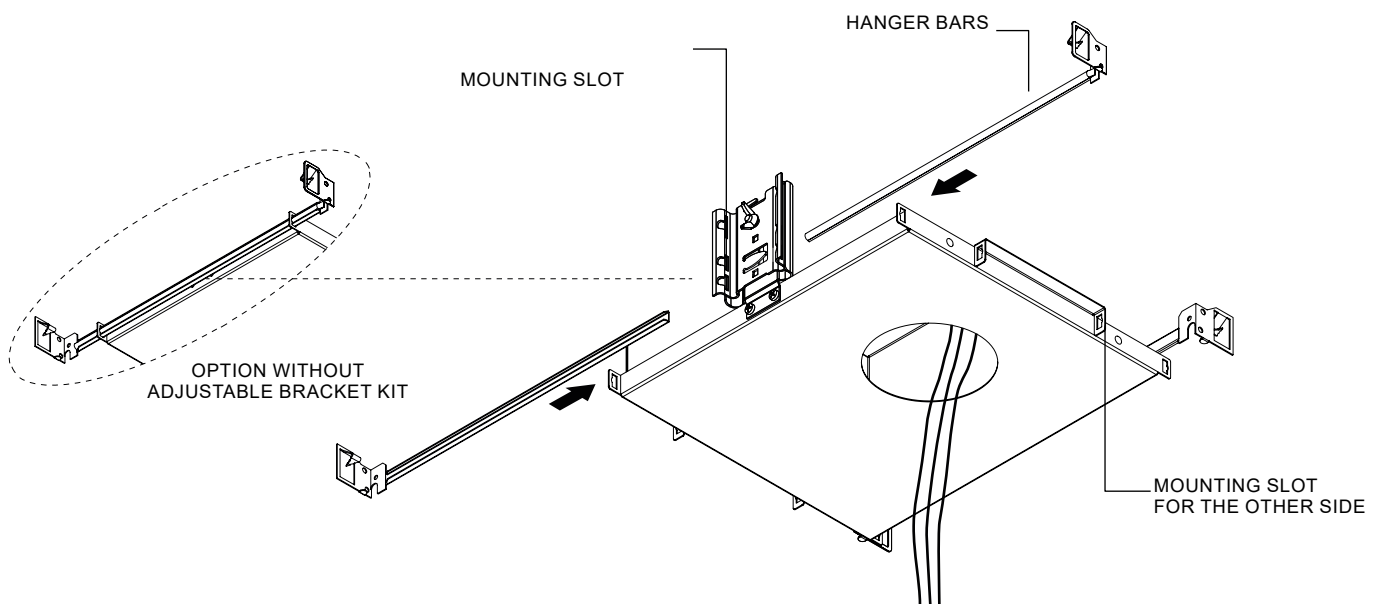
### NEW CONSTRUCTION PLASTER FRAME INSTALLATION (NC) INTEGRAL DRIVER (120V / 277V) DIMMING TRIAC/ELV (LTE), 0-10V (D10), DALI (DA), CASAMBI (CAS)

PAGE 1-2

**⚠ DISCONNECT THE MAIN LINE BEFORE WIRING SECONDARY CONNECTORS**

**A.** ENGAGE (4) HANGER BARS IN HOUSING SLOTS AVAILABLE AND CONNECT THEM TOGETHER.

A

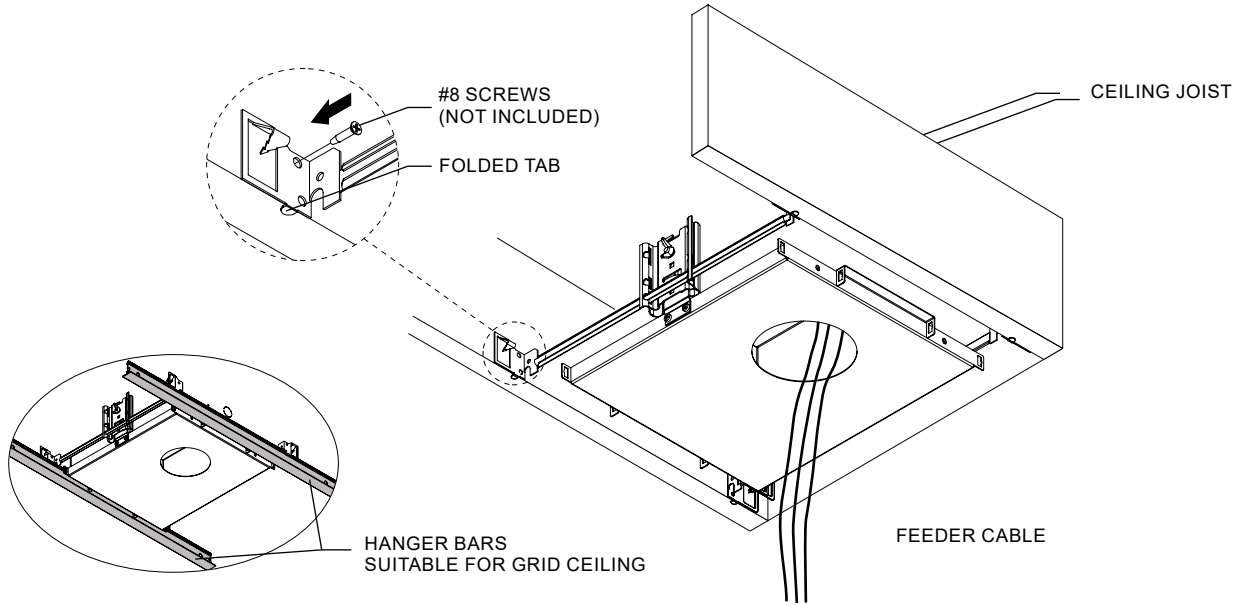


TRIM & TRIMLESS MODELS : LOGP4 - R / S - NC - INTEGRAL: 120V / 277V

**B.** FASTEN HANGER BARS TO CEILING BRACE WITH #8 SCREWS (NOT INCLUDED). USE THE SMALL FOLDED TAB AT THE END OF THE BARS TO ALIGN WITH THE CEILING JOISTS. HANGER BARS ARE ALSO SUITABLE FOR GRID CEILING. LEAVE AT LEAST 6" (152MM) OF FEEDER CABLE ACCESSIBLE FROM UNDER THE CEILING.

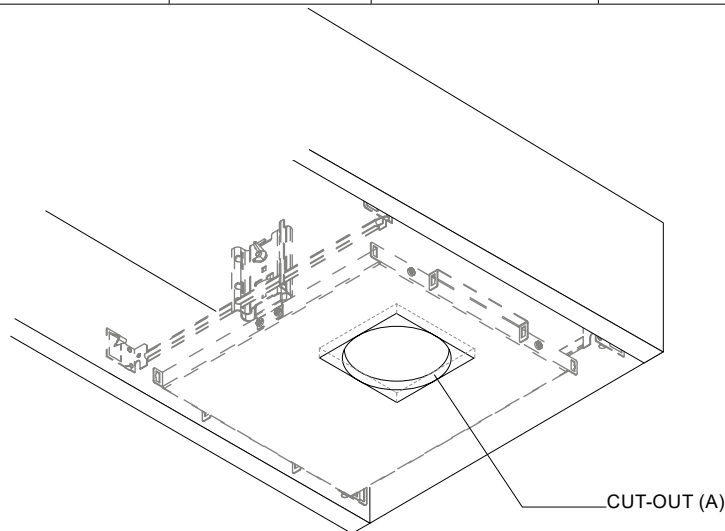
**C.** INSTALL THE DRYWALL AND MAKE THE CUT-OUT OPENING (SEE DIMENSIONS BELOW).

**B**



**C**

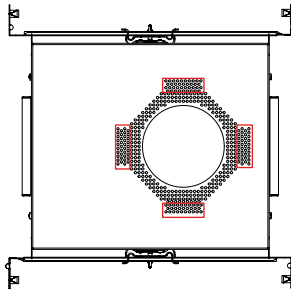
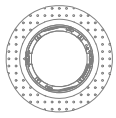
MODEL	SHAPE	MOUNTING	PLASTER FRAME	CUT-OUT DIMENSIONS (A)	CEILING THICKNESS	CLEARANCE (H)	
						LOGP4	LOGP4H
LOGP4R LOGP4HR	ROUND	TRIM	BN-LOGP4RT-NC	Ø4" (Ø100mm)	1/16" - 1/8" (1-24mm)	7 7/8" (180mm)	8 1/8" (207mm)
		TRIMLESS MUD	BN-LOGP4RL-NC	Ø4 1/8" (Ø105mm)	1/16" - 1/8" (1-24mm)		
		TRIMLESS MILLWORK	BN-LOGP4RM-NC		1/2" - 1 1/8" (12.5-24mm)		
LOGP4S LOGP4HS	SQUARE	TRIM	BN-LOGP4ST-NC	□3 13/16" (□97mm)	1/16" - 1/8" (1-24mm)	7 7/8" (180mm)	8 1/8" (207mm)
		TRIMLESS MUD	BN-LOGP4SL-NC	□3 3/8" (□99mm)	1/16" - 1/8" (1-24mm)		
		TRIMLESS MILLWORK	BN-LOGP4SM-NC	□3 13/16" (□97mm)	1/2" - 1 1/8" (12.5-24mm)		



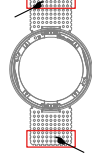
## TRIMLESS KIT INSTALLATION (Before Fixture Installation if applicable)

PAGE 3

### ROUND TRIMLESS MUD

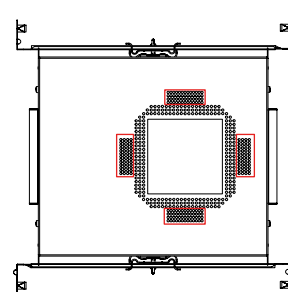
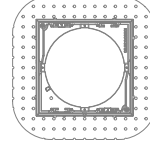


### ROUND TRIMLESS MILLWORK

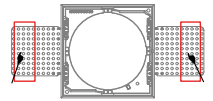


- CHECK THE DIRECTION
- CHECK BOTH SIDES FOR SCREW FIX

### SQUARE TRIMLESS MUD



### SQUARE TRIMLESS MILLWORK



- CHECK THE DIRECTION
- CHECK BOTH SIDES FOR SCREW FIX

**⚠ IMPORTANT: INSTALL TRIMLESS KIT IN THE CORRECT ORIENTATION TO ALLOW THE DRIVER TO PASS THROUGH AND FIT INSIDE THE INSULATION BOX.**

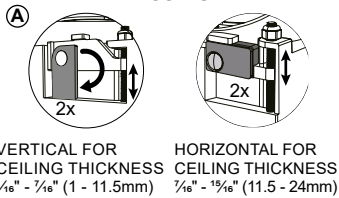
#### ROUND / SQUARE TRIMLESS MUD:

- CHOOSE THE BRACKET DIRECTION (VERTICAL OR HORIZONTAL) DEPENDING ON THE CEILING THICKNESS.
- INSERT THE TRIMLESS KIT INTO THE CEILING. TO HOLD THE KIT IN THE CEILING, ADJUST THE (2X) FIXATION BRACKET ADJUSTMENT SCREWS WITH A DRILL (**RECOMMENDED**).  
\* THE BRACKETS WILL OPEN AUTOMATICALLY WHILE SCREWING.  
\*\* FOR BETTER FIXATION (IF NEEDED), SECURE THE TRIMLESS KIT TO THE CEILING USING (2X) #6 SCREWS (**NOT INCLUDED**)
- FINISH THE ASSEMBLY BY PLASTERING, SANDING AND PAINTING.

#### ROUND / SQUARE TRIMLESS MILLWORK:

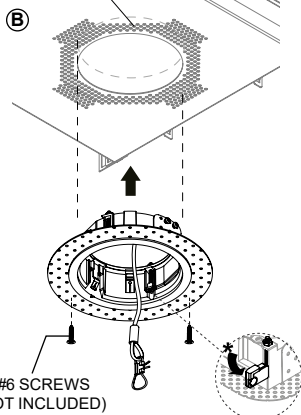
- ADJUST BRACKET POSITION DEPENDING ON THE CEILING THICKNESS.
- POSITION THE TRIMLESS KIT IN THE CEILING
- SECURE THE TRIMLESS KIT TO THE CEILING USING (2X) #6 SCREWS (**NOT INCLUDED**).
- FINISH THE ASSEMBLY BY PLASTERING, SANDING AND PAINTING.

#### ROUND TRIMLESS MUD

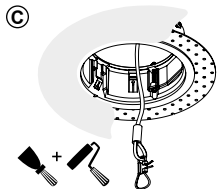


VERTICAL FOR CEILING THICKNESS  $\frac{1}{8}'' - \frac{7}{8}''$  (1 - 11.5mm)  
HORIZONTAL FOR CEILING THICKNESS  $\frac{7}{8}'' - 1\frac{1}{2}''$  (11.5 - 24mm)

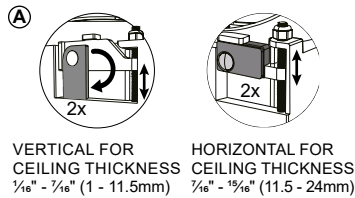
USE HOLES FOR ROUND TRIMLESS MUD



\*\*#6 SCREWS (NOT INCLUDED)

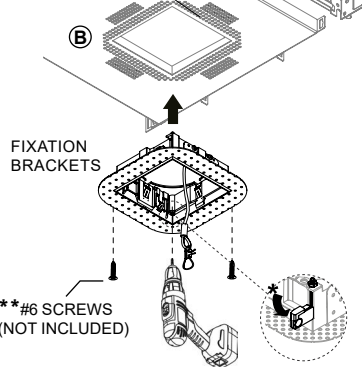


#### SQUARE TRIMLESS MUD



VERTICAL FOR CEILING THICKNESS  $\frac{1}{8}'' - \frac{7}{8}''$  (1 - 11.5mm)  
HORIZONTAL FOR CEILING THICKNESS  $\frac{7}{8}'' - 1\frac{1}{2}''$  (11.5 - 24mm)

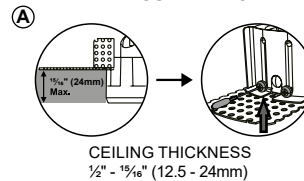
USE HOLES FOR SQUARE TRIMLESS MUD



\*\*#6 SCREWS (NOT INCLUDED)

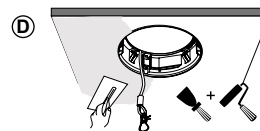
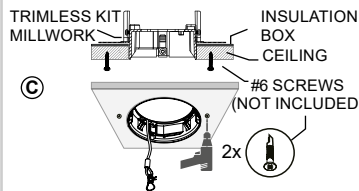
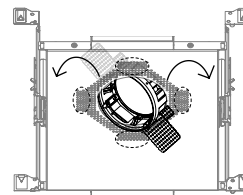


#### ROUND TRIMLESS MILLWORK

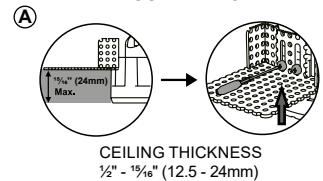


CEILING THICKNESS  $\frac{1}{2}'' - 1\frac{1}{8}''$  (12.5 - 24mm)

- PLACE THE TRIMLESS KIT INSIDE THE INSULATION BOX USE ONE OF TWO DIRECTIONS FOR ROUND TRIMLESS MILLWORK

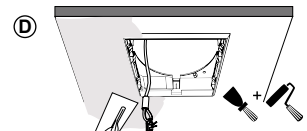
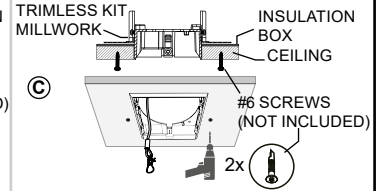
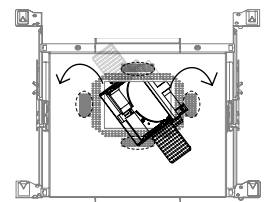


#### SQUARE TRIMLESS MILLWORK



CEILING THICKNESS  $\frac{1}{2}'' - 1\frac{1}{8}''$  (12.5 - 24mm)

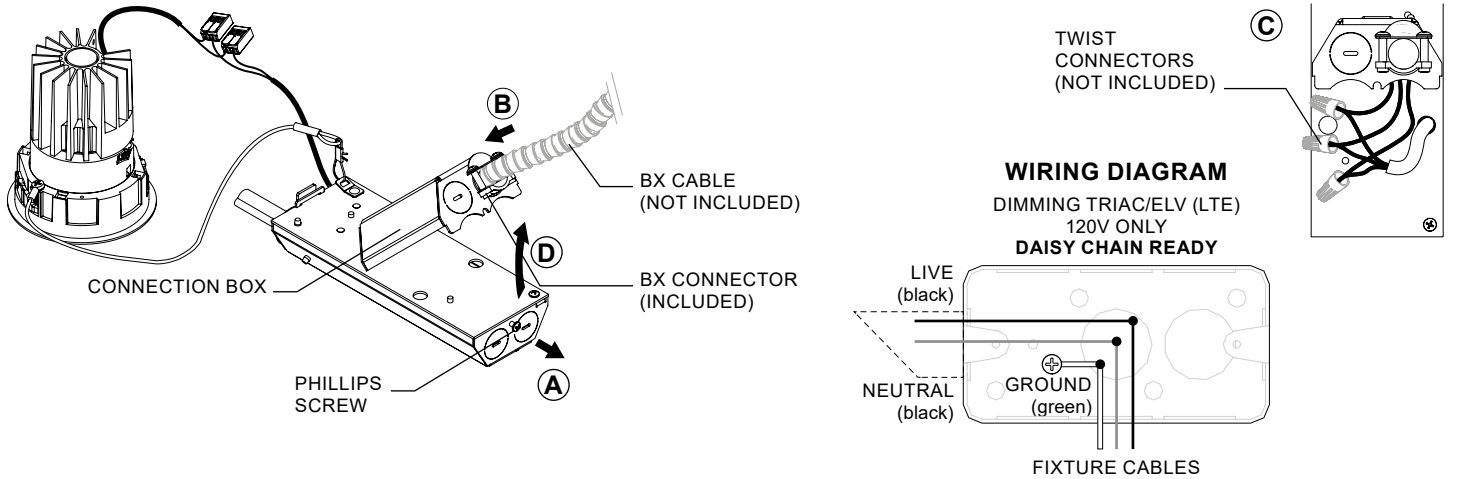
- PLACE THE TRIMLESS KIT INSIDE THE INSULATION BOX USE ONE OF TWO DIRECTIONS FOR SQUARE TRIMLESS MILLWORK



**FIXTURE CONNECTION  
INTEGRAL DRIVER (120V / 277V)  
DIMMING TRIAC/ELV**

- A.** REMOVE THE CONNECTION BOX PHILLIPS SCREW (INCLUDED) AND REMOVE THE COVER.
- B.** INSTALL A BX CABLE (NOT INCLUDED) USING A BX CONNECTOR (INCLUDED). LEAVE AT LEAST 6" OF WIRE IN THE BOX.
- C.** MAKE ALL THE NECESSARY CONNECTIONS (SEE WIRING DIAGRAM) USING QUICK CONNECTORS (INCLUDED) OR CONNECTION BLOCK. **\*DAISY CHAIN READY FOR LTE DIMMING ONLY.**
- D.** CLOSE THE CONNECTION BOX COVER AND TIGHTEN THE PHILLIPS SCREW.

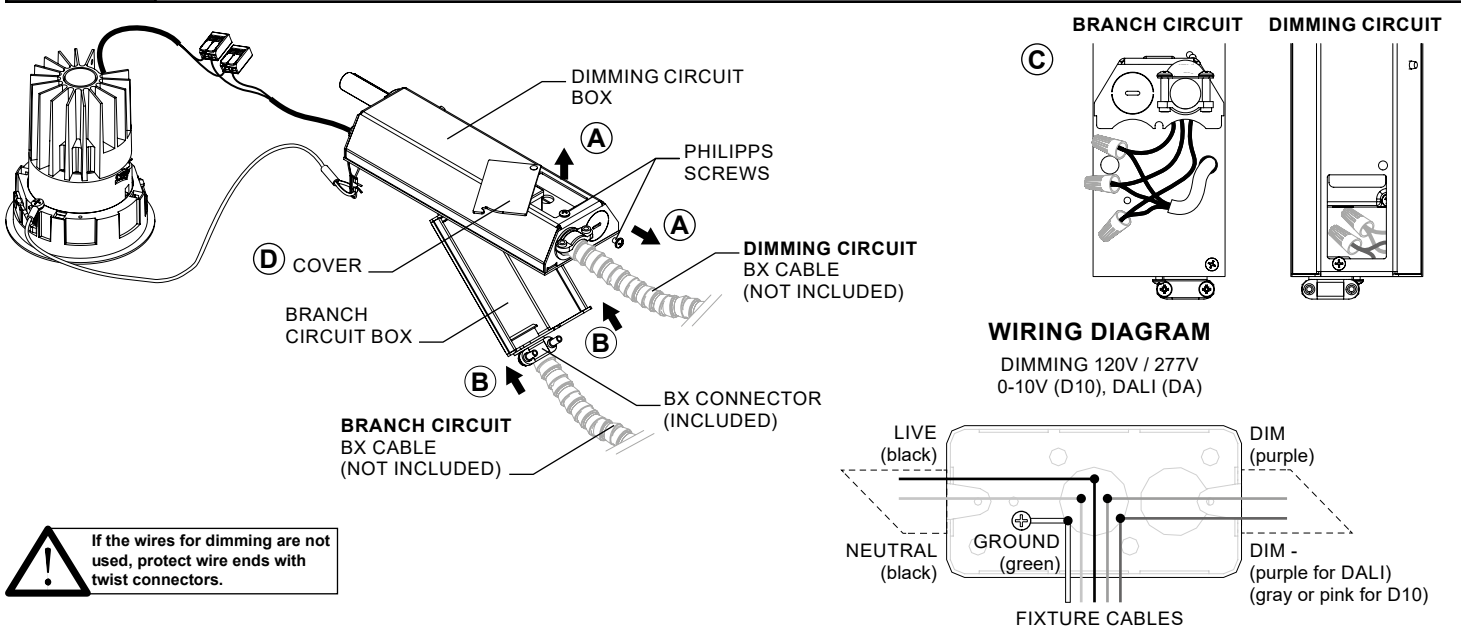
A + B + C + D



**FIXTURE CONNECTION  
INTEGRAL DRIVER (120-277V)  
DIMMING 0-10V, DALI**

- A.** LOOSEN THE (2) PHILLIPS SCREWS TO SLIDE THE DIMMING CIRCUIT BOX COVER OPEN AND OPEN THE BRANCH CIRCUIT BOX.
- B.** INSTALL BX CABLE (NOT INCLUDED) USING BX CONNECTOR (INCLUDED). LEAVE AT LEAST 6" OF WIRE IN THE BOX.
- C.** MAKE ALL NECESSARY CONNECTIONS (SEE WIRING DIAGRAM) USING TWIST CONNECTORS (NOT INCLUDED).
- D.** SLIDE THE DIMMING CIRCUIT BOX COVER BACK ON, CLOSE THE BRANCH CIRCUIT BOX AND TIGHTEN THE PHILLIPS SCREWS.

A + B + C + D

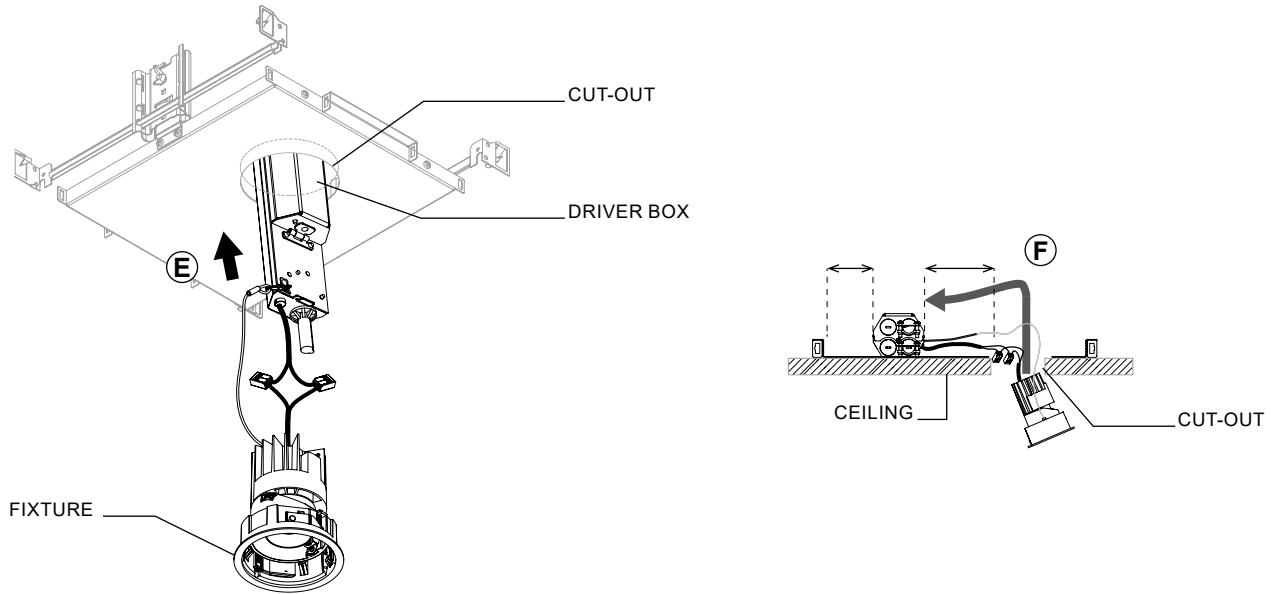


**!** If the wires for dimming are not used, protect wire ends with twist connectors.

**FIXTURE INSTALLATION (TRIM)**

- E.** INSERT THE DRIVER BOX INTO THE CUT-OUT.
- F.** PUT THE DRIVER BOX INSIDE WITH PROPER DISTANCE FROM THE WALL AND THE FIXTURE.  
**N.B. FOR MAINTENANCE, PULL THE FIXTURE OUT OF THE CUT-OUT.**

E + F



- G.** CHOOSE THE BRACKET DIRECTION (**VERTICAL OR HORIZONTAL**) DEPENDING ON THE CEILING THICKNESS. INSERT THE TRIM KIT INTO THE CEILING. TO HOLD THE KIT IN THE CEILING, ADJUST THE (2X) FIXATION BRACKET ADJUSTMENT SCREWS WITH A DRILL (**RECOMMENDED**).  
 \* THE BRACKETS WILL OPEN AUTOMATICALLY WHILE SCREWING.

- G.** CHOOSE THE BRACKET DIRECTION (**VERTICAL OR HORIZONTAL**) DEPENDING ON THE CEILING THICKNESS. INSERT THE TRIM KIT INTO THE CEILING. TO HOLD THE KIT IN THE CEILING, ADJUST THE (2X) FIXATION BRACKET ADJUSTMENT SCREWS WITH A DRILL (**RECOMMENDED**).  
 \* THE BRACKETS WILL OPEN AUTOMATICALLY WHILE SCREWING.

**G ROUND MODEL**

**ROUND TRIMLESS MUD**

VERTICAL FOR CEILING THICKNESS  $\frac{3}{16}'' - \frac{7}{16}''$  (1 - 11.5mm)  
 HORIZONTAL FOR CEILING THICKNESS  $\frac{3}{16}'' - \frac{1}{4}''$  (11.5 - 24mm)

**ROUND TRIMLESS MILLWORK**

CEILING THICKNESS  $\frac{1}{2}'' - \frac{1}{16}''$  (12.5 - 24mm)

FIXATION BRACKETS  
 FIXATION BRACKET ADJUSTMENT SCREW

**G SQUARE MODEL**

**SQUARE TRIMLESS MUD**

VERTICAL FOR CEILING THICKNESS  $\frac{3}{16}'' - \frac{7}{16}''$  (1 - 11.5mm)  
 HORIZONTAL FOR CEILING THICKNESS  $\frac{3}{16}'' - \frac{1}{4}''$  (11.5 - 24mm)

**SQUARE TRIMLESS MILLWORK**

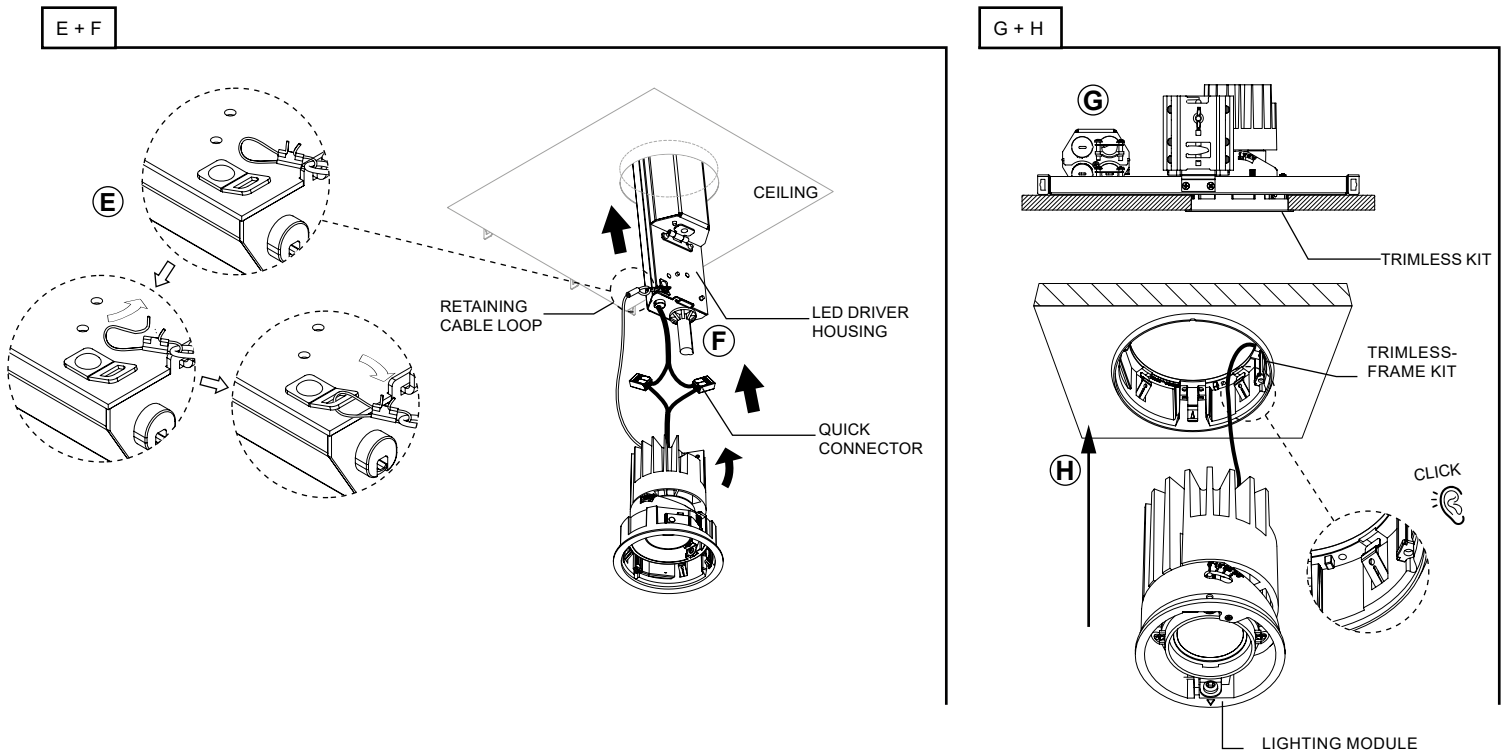
CEILING THICKNESS  $\frac{1}{2}'' - \frac{1}{16}''$  (12.5 - 24mm)

FIXATION BRACKETS  
 FIXATION BRACKET ADJUSTMENT SCREW

### TRIMLESS - (ROUND / SQUARE – THE INSTALLATION DETAIL ON PAGE 3)

\* FOLLOWING STEPS **A** TO **D** FROM PREVIOUS PAGE:

- E.** HOOK THE RETAINING CABLE'S LOOP ON THE LED DRIVER HOUSING.
- F.** CONNECT THE FIXTURE TO THE DRIVER USING THE QUICK CONNECTORS. PASS THE DRIVER HOUSING ABOVE THE TRIMLESS KIT, STARTING WITH THE CONNECTION BOX, CAREFULLY INSERT THE ASSEMBLY THROUGH THE FRAME KIT INTO THE CEILING.
- G.** PLACE IT INSIDE THE PLASTER FRAME. MAINTAIN PROPER CLEARANCE BETWEEN THE DRIVER BOX AND THE LIGHTING FIXTURE.
- H.** INSERT LIGHTING MODULE INTO THE FRAME KIT UNTIL IT CLICKS IN PLACE.



### OPTICAL ADJUSTMENT AND FINAL ASSEMBLY

- A.** THE OPTICAL ORIENTATION CAN CHANGE FOR 30°, WITH MANUAL ADJUSTEMENT.
- B.** INSERT THE BAFFLE INTO THE TRIM UNTIL IT CLICKS INTO PLACE.

