

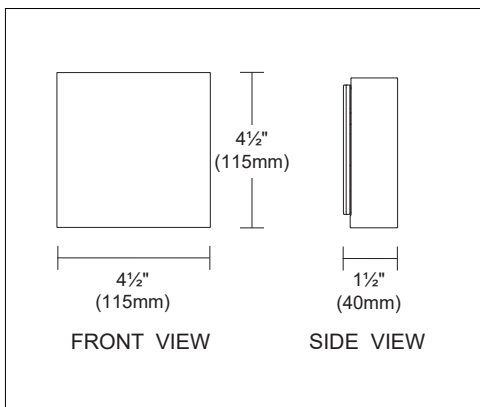


With its uniform light distribution and its rounded and thin profile, Pocket draws a gentle balance between shapes and light. The elegant and sober lines that characterize the whole range are further enhanced by the easy clip-on system and no visible screws. A surface mounted wall fixture with a minimalistic square and rectangular design that is able to blend into every architectural context.

Luminaire characteristics:

MODEL	POWER (W)	OPTIC	LUMENS (lm)*	EFFICACY (lm/W)*	MAX CANDELA (cd)*
S1850	5W	Single emission	341	68	163
S1851	10W	Double emission	681	68	163
S1880	11.5W	Single emission	872	75	447
S1881	23W	Double emission	1 744	75	432

*For 3000K, 90CRI



Source: LED Module
2700K: 90CRI,
3000K: 90CRI,
4000K: 80CRI.

Lumen maintenance:
80% of initial lumens at 70 000 hours (L80 B10)
Ta 77°F (25°C)
80% of initial lumens at 50 000 hours (L80 B10)
Ta 104°F (40°C) (LM-80)

Optics: Single emission downlight,
double emission up and downlight.

Material: Body: Die-cast aluminum.
Diffuser: Toughened glass.

Mounting: See mounting options on page 5.

Electrical: See remote LED driver options on page 3.

Dimming 0-10V down to 1% (120-277V), Triac and ELV down to 1% to 15% (120V).
See dimmable remote options on page 3.

Finish: White, aluminum gray or anthracite gray painted finish, following a double powder paint in 3 step process: surface treatment containing ceramic nano particles (Bonderite). Epoxy primer paint. Polyester powder paint with high resistance against UV rays and harsh weather conditions. See page 2 for other premium finishes available (green, black & burnish bronze).

Standard finish

01 14 24

Premium finishes

07 09 20

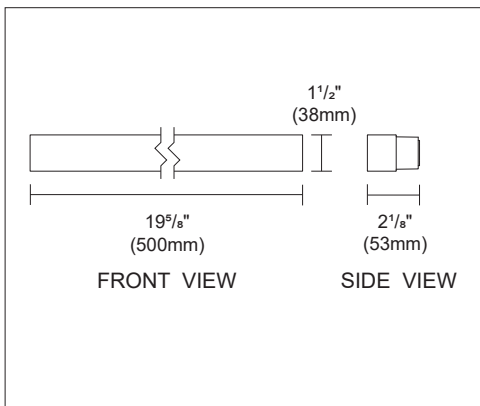


Weight: Minipocket: 2.84lb (1.29kg)
Pocket long: 5.13lb (2.33kg)

Warranty: 5 year limited warranty.

Ratings: IP65, IK06

Certification: cULus listed for wet location



ORDERING INFO

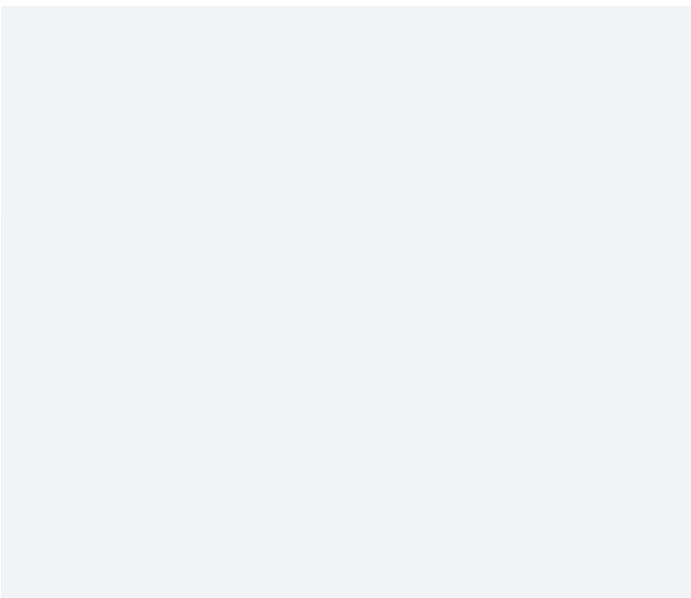
CLICK HERE



PRODUCT CODE

--	--	--	--	--

MODEL	LED	MOUNTING	VOLTAGE	FINISH
Minipocket	H 2700K, 90CRI	FW Surface mounted with fixture whip	REM Remote	01 White <input type="checkbox"/>
S1850 Single emission	W 3000K, 90CRI	JB Surface mounted, junction box		14 Aluminum Gray <input type="checkbox"/>
S1851 Double emission	N 4000K, 80CRI	J2¹ Surface mounted, single gang box		24 Anthracite gray <input type="checkbox"/>
Pocket long				<i>PREMIUM</i>
S1880 Single emission				07 Green <input type="checkbox"/>
S1881 Double emission				09 Black <input type="checkbox"/>
				20 Burnished bronze <input type="checkbox"/>



¹ Not available for **S1850** and **S1851** models

REMOTE LED DRIVER OPTIONS (TO BE ORDERED SEPARATELY)

INDOOR RATED Driver box model	Max distance**	Min-max units			
		Single emission		Double emission	
		MINIPOCKET S1850 4.4W*	POCKET LONG S1880 10W*	MINIPOCKET S1851 9W*	POCKET LONG S1881 20W*
4450-0250-013-UNV-ED10	118ft (36m)	1-2		1	
4448-0250-057-UNV-SD10		1-8 / max 2/output		1-4 / max 1/output	
4450-0250-030-120-LTE	30ft (9m)	1			
4444-0250-011-120-LTE		2		1	
4450-0500-027-UNV-ED10	118ft (36m)		1-2		1
4448-0500-100-UNV-SD10			1-6 / max 2/output		1-4 / max 1/output
4444-0500-025-120-LTE	30ft (9m)		1-2		1

OUTDOOR RATED Driver box model	Max distance**	Min-max units			
		Single emission		Double emission	
		MINIPOCKET S1850 4.4W*	POCKET LONG S1880 10W*	MINIPOCKET S1851 9W*	POCKET LONG S1881 20W*
4549-0250-013-UNV-ED10	118ft (36m)	1-2		1	
4549-0250-057-UNV-SD10		1-8 / max 2/output		1-4, 4ch / max 1/output	
4549-0250-030-120-LTE	30ft (9m)	1			
4548-0250-011-120-LTE		2		1	
4549-0500-027-UNV-ED10	118ft (36m)		1-2		1
4549-0500-100-UNV-SD10			1-6 / max 2/output		1-4 / max 2/output
4548-0500-025-120-LTE	30ft (9m)		1-2		1

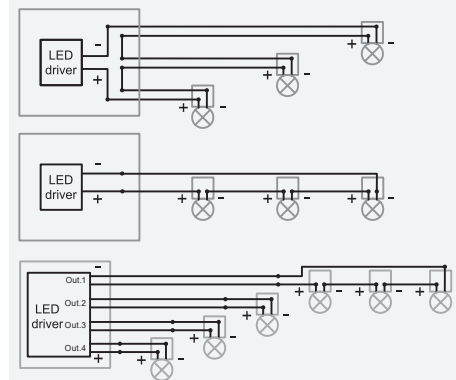
* Wattage requirement for one (1) fixture
** Consult factory for longer remote distance.

DRIVER BOX MODEL DESCRIPTION

MODEL	CONSTANT CURRENT	WATTAGE	VOLTAGE	DIMMING PROTOCOL
4444 6" x 4" x 3" (152 x 102 x 76mm)	0250 250 mA	011 to 100 11W to 100W	ND 120V	LTE Leading edge and trailing edge (ELV and TRIAC) (down to 1% to 15%) ED10 0-10V ELDOLED ECOdrive (down to 1%) SD10 0-10V ELDOLED SOLOdrive 1 channel, 4 outputs (down to 0.1%)
4448 10" x 8" x 4" (254 x 203 x 102mm)	0500 500 mA		UNV 120-277V	
4450 8" x 8" x 4" (203 x 203 x 102mm)				
4548 6" x 4.5" x 3" (152 x 114 x 76mm)				
4549 14.5" x 5" x 3.5" (368 x 127 x 89mm)				

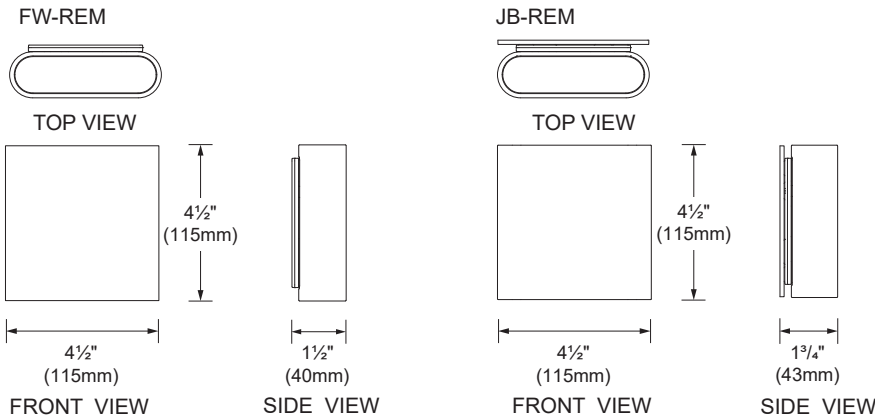
WIRING DIAGRAM

Multiple luminaires must be connected in series

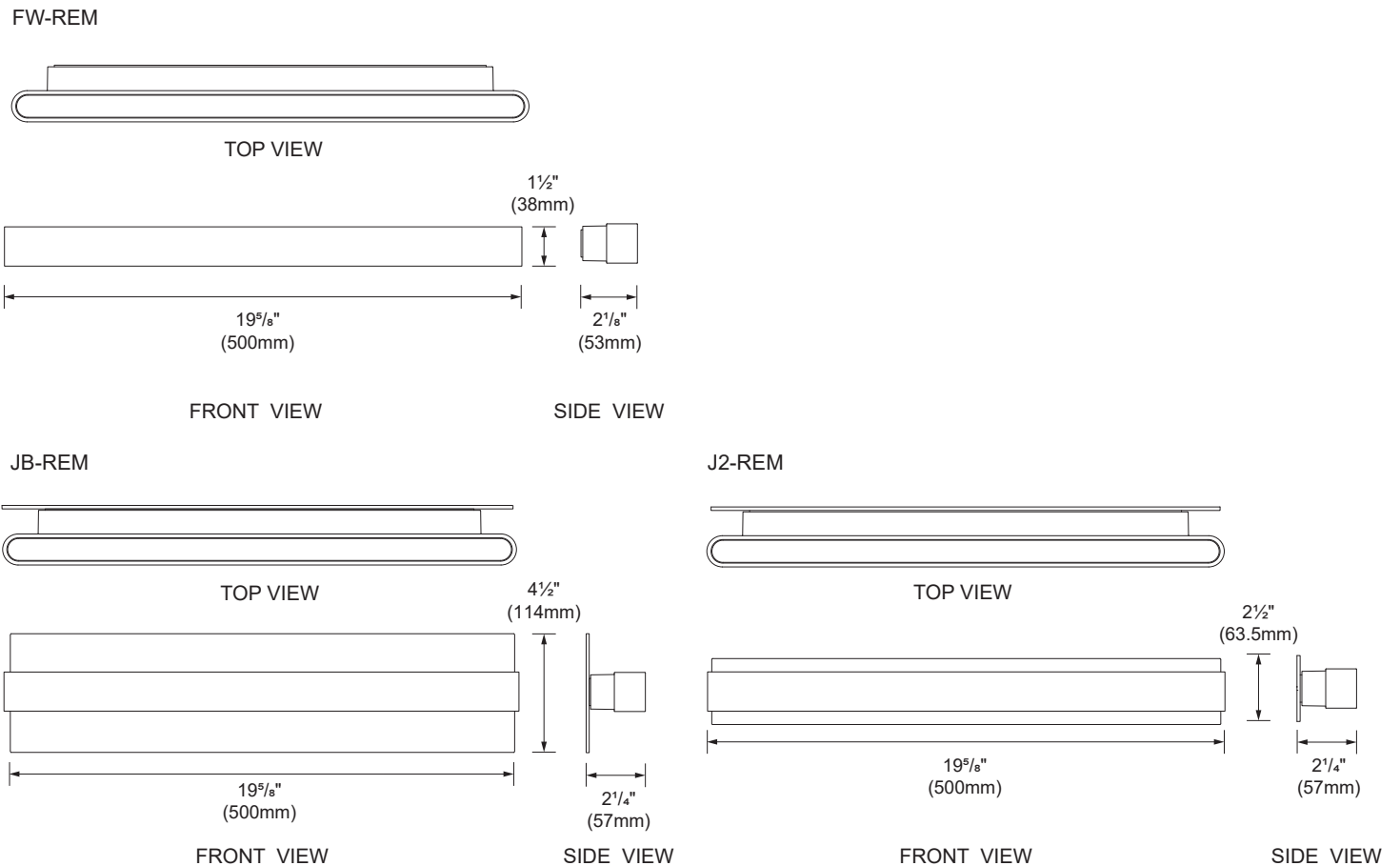


DIMENSIONS

Mini Pocket
S1850, S1851

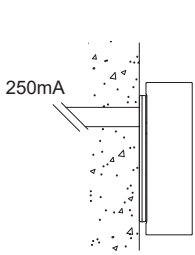


Pocket long
S1880, S1881

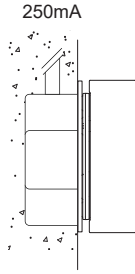


MOUNTING OPTIONS

Mini Pocket
S1850, S1851

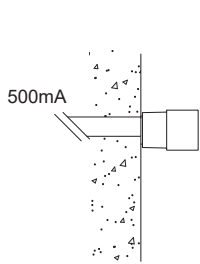


FW-REM - Fixture whip to remote power supply. Installed directly to surface with recessed pipe or electrical conduit.

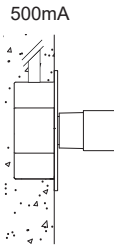


JB-REM - 4" junction box to remote power supply. Mounting adapter plate for junction box installation.

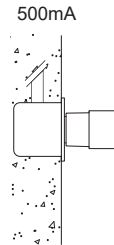
Pocket long
S1880, S1881



FW-REM - Fixture whip to remote power supply. Installed directly to surface with recessed pipe or electrical conduit.



JB-REM - 4" junction box to remote power supply. Mounting adapter plate for junction box installation.



J2-REM - 2" junction box to remote power supply. Mounting adapter plate for junction box installation.

PHOTOMETRIC DATA

Visit sistimalux.com for complete photometric data.

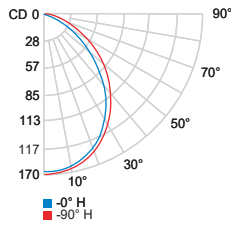
Minipocket

CCT (K)	CRI	POWER (W)*	OPTIC	LUMENS (lm)	EFFICACY (lm / W)	MAX CANDELA (cd)	B.U.G	MODEL
3000K	90	5W	Single emission	340	68	163	B1-U0-G0	S1850W
		10W	Double emission	681	68	163	B1-U3-G0	S1851W

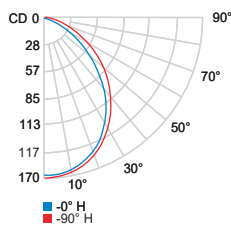
*Power can vary with the selected driver.



Single emission (3000K, 90CRI)



Double emission (3000K, 90CRI)



CCT options	2700K	3000K	4000K
CRI options	90CRI	90CRI	80CRI
Multiplier	0.92	1	1.04

Use multiplier table for other CCT and CRI output data. Efficacy based on IESNA LM-79 test reports.

PHOTOMETRIC DATA

Visit sistimalux.com for complete photometric data.

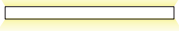
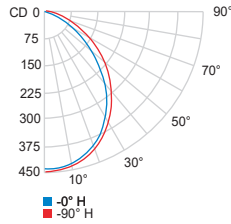
Pocket long

CCT (K)	CRI	POWER (W)*	OPTIC	LUMENS (lm)	EFFICACY (lm / W)	MAX CANDELA (cd)	B.U.G	MODEL
3000K	90	11.5W	Single emission	872	75	447	B1-U0-G0	S1880W
		23W	Double emission	1 744	75	432	B1-U4-G0	S1881W

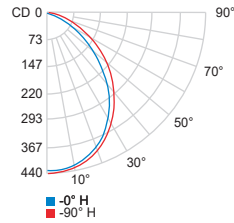
*Power can vary with the selected driver.



Single emission (3000K, 90CRI)



Double emission (3000K, 90CRI)



CCT options	2700K	3000K	4000K
CRI options	90CRI	90CRI	80CRI
Multiplier	0.92	1	1.04

Use multiplier table for other CCT and CRI output data. Efficacy based on IESNA LM-79 test reports.