

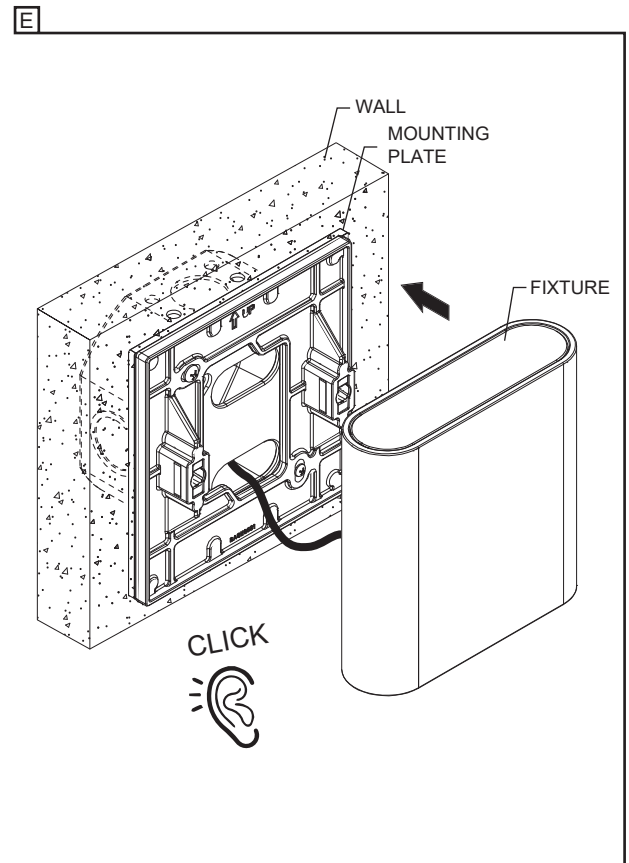
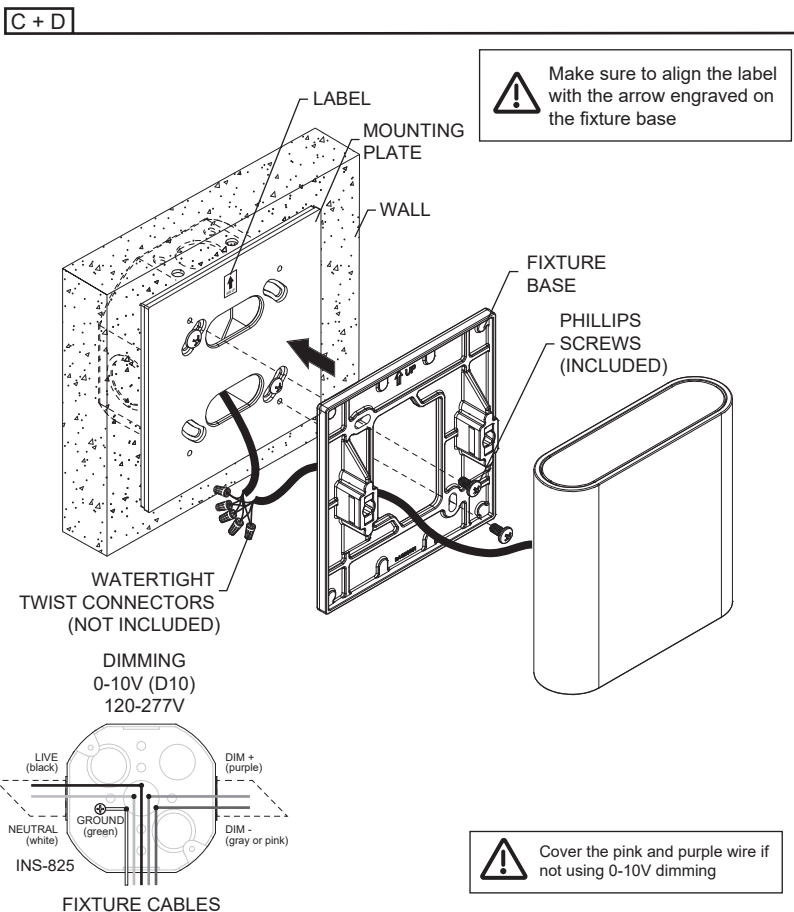
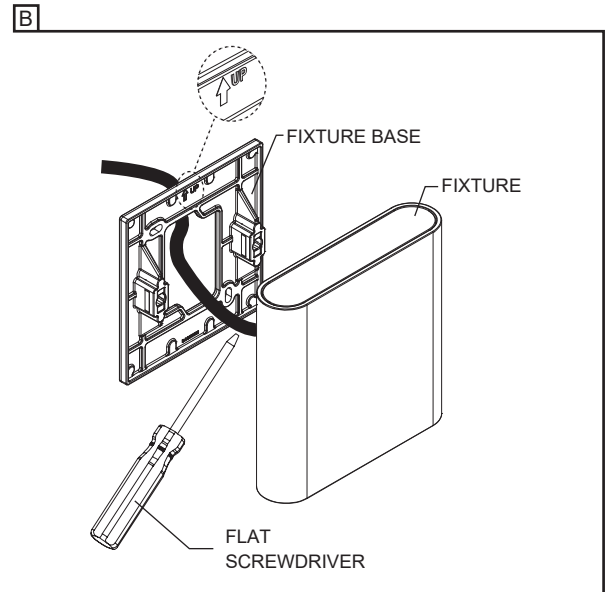
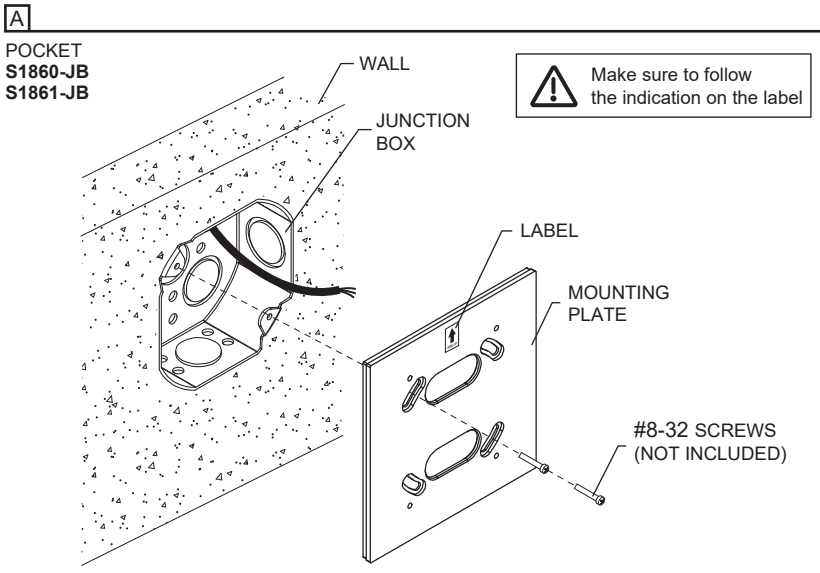
POCKET INTEGRAL

MODEL: S1860, S1861, S1870, S1871

IMPORTANT - READ CAREFULLY BEFORE INSTALLING FIXTURE. RETAIN THESE INSTRUCTIONS FOR FUTURE REFERENCE. THIS PRODUCT MUST BE INSTALLED IN ACCORDANCE WITH THE NATIONAL ELECTRICAL CODE AND ALL APPLICABLE LOCAL CODES, BY A PERSON FAMILIAR WITH THE CONSTRUCTION AND OPERATION OF THE PRODUCT, AND THE HAZARDS INVOLVED. PROPER GROUNDING IS REQUIRED FOR SAFETY.

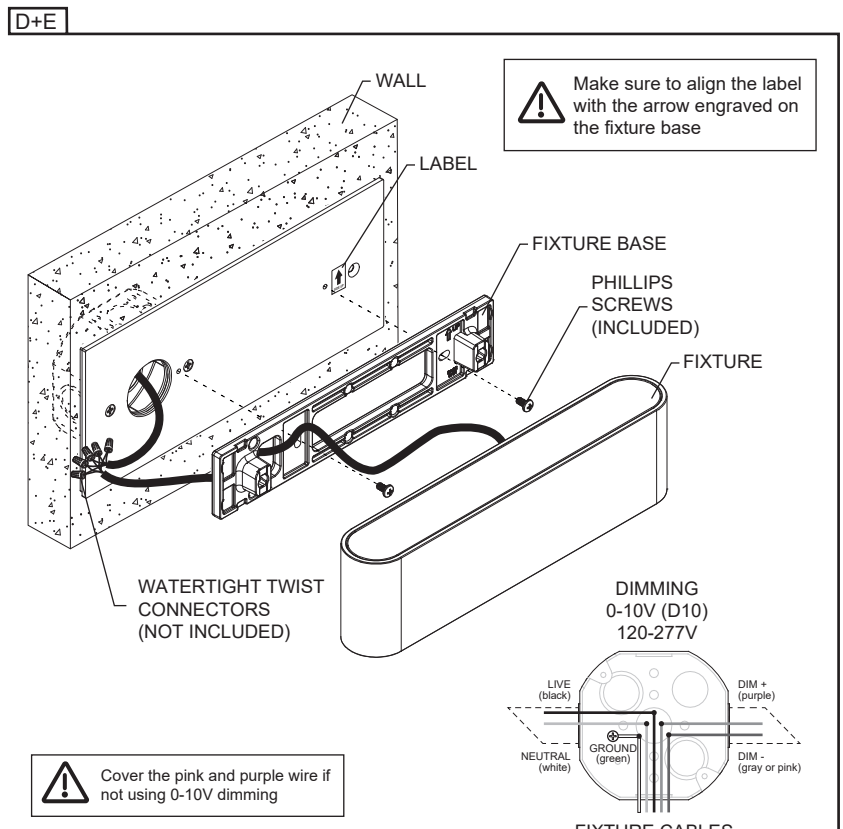
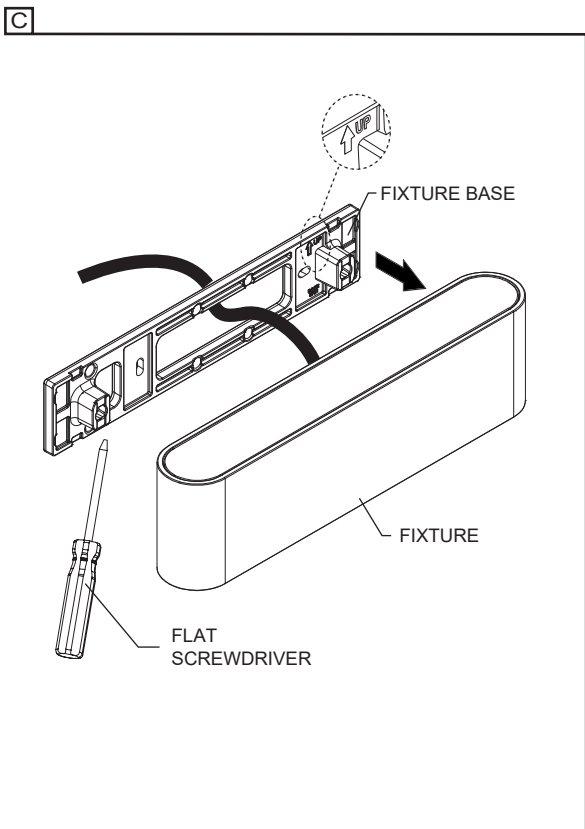
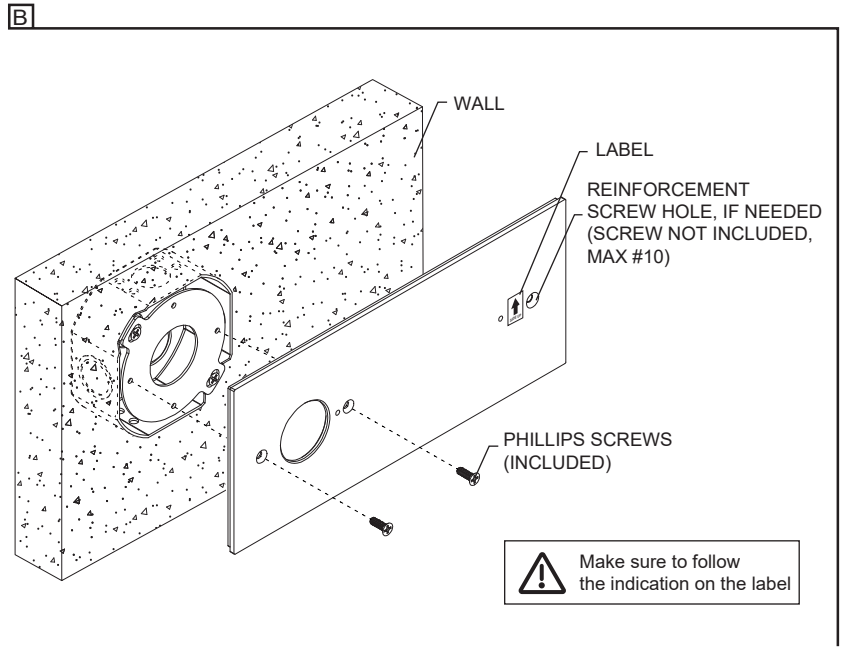
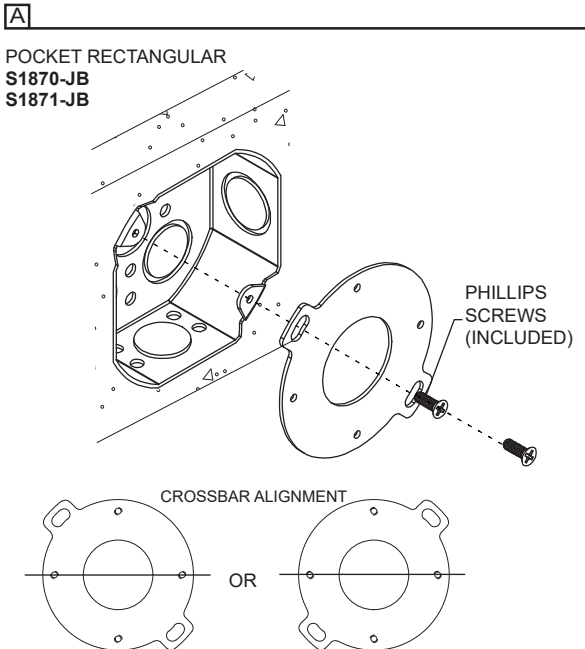
4" JUNCTION BOX INSTALLATION WITH INTEGRAL DRIVER (JB-UNV)

- A- INSTALL THE MOUNTING PLATE ON THE JUNCTION BOX USING 2 PAN SCREWS #8-32 (NOT INCLUDED).
- B- UNCLIP THE BASE FROM THE FIXTURE USING A FLAT SCREWDRIVER.
- C- FASTEN THE BASE ON THE MOUNTING PLATE USING 2 PHILLIPS SCREWS (INCLUDED).
- D- MAKE WIRE CONNECTIONS (FOLLOWING POLARITY MARKINGS) USING WATERTIGHT TWIST CONNECTORS (NOT INCLUDED). ONCE CONNECTED, PUSH THE WIRES BACK INTO THE JUNCTION BOX.
- E- CLIP THE FIXTURE TO THE BASE.



4" JUNCTION BOX INSTALLATION WITH INTEGRAL DRIVER 120-277V (JB-UNV)

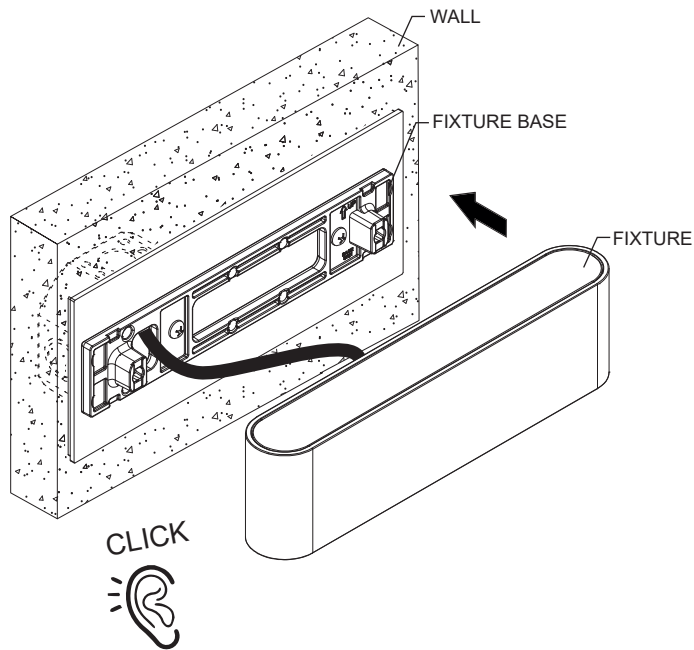
- A- FIX THE CROSSBAR TO THE JUNCTION BOX USING 2 PHILLIPS SCREWS (**INCLUDED**). MAKE SURE THE CROSSBAR IS PROPERLY ALIGNED.
- B- INSTALL THE MOUNTING PLATE ON THE CROSSBAR USING 2 PHILLIPS SCREWS (**INCLUDED**). USE REINFORCEMENT SCREWS IF NECESSARY.
- C- UNCLIP THE BASE FROM THE FIXTURE WITH A FLAT SCREWDRIVER.
- D- FIX THE BASE ON THE MOUNTING PLATE USING 2 PHILLIPS SCREWS (**INCLUDED**).
- E- MAKE WIRE CONNECTIONS (**FOLLOWING POLARITY MARKING**) USING WATERTIGHT TWIST CONNECTORS ONCE CONNECTED, PUSH WIRES BACK INTO THE JUNCTION BOX.



4" JUNCTION BOX INSTALLATION WITH INTEGRAL DRIVER 120-277V (JB-UNV)

F- CLIP THE FIXTURE TO THE BASE.

F



2" SINGLE GANG BOX INSTALLATION WITH INTEGRAL DRIVER 120-277V (J2-UNV)

- A- INSTALL THE MOUNTING PLATE ON THE JUNCTION BOX USING 2 PHILLIPS SCREWS #6-32 (INCLUDED). USE REINFORCEMENT SCREW IF NECESSARY.
- B- UNCLIP THE BASE FROM THE FIXTURE WITH A FLAT SCREWDRIVER.
- C- FASTEN THE BASE ON THE MOUNTING PLATE USING 2 PHILLIPS SCREWS (INCLUDED).
- D- MAKE WIRE CONNECTIONS (FOLLOWING POLARITY MARKING) USING WATERTIGHT TWIST CONNECTORS (NOT INCLUDED). ONCE CONNECTED, PUSH WIRES BACK INTO THE JUNCTION BOX.
- E- CLIP THE FIXTURE TO THE BASE.

