


Collection of wall mounted luminaires for exterior applications. Lift has an innovative optical system that produces pleasing graphic effects. By using a combination of wide flood or narrow spot beams, this luminaire offers limitless possibility of lighting effects.

Luminaire characteristics:	Power input: 18.2W Lumens: 435lm to 805lm (for 3000K, 90CRI) Luminaire efficacy: Up to 44lm/W
Source:	LED module (LM-80 tested) 2700K: 90CRI, 3000K: 90CRI, 4000K: 80CRI.
Lumen maintenance:	80% of initial lumens at 70 000 hours (L80)
Optics:	Narrow spot or wide flood.
Material:	Body: Die-cast aluminum Diffuser: Clear tempered glass Reflector: Aluminum Hardware: Stainless steel screws and silicone gaskets
Electrical:	Universal high efficiency electronic LED driver rated at 50 000 hours, 120V-277V.
Dimming:	0-10V (120-277V), down to 15%.
Mounting:	Install on a standard 4" octagonal junction box.
Finish:	Aluminum gray and black
Weight:	8.8lb (4kg).
Warranty:	5 year limited warranty.
Ratings:	IP65, IK06
Certification:	 cULus listed for wet location

ORDERING INFO

- UNV - - D10

FIXTURE

MODEL

- S5080** - 4 x 2° Narrow spot **S5090** - 4 x 60° Wide flood

LED

- H** - 2700K, 90CRI **W** - 3000K, 90CRI **N** - 4000K, 80CRI

VOLTAGE

- UNV** - 120-277V

FINISH

- 09** - Black **14** - Aluminum gray

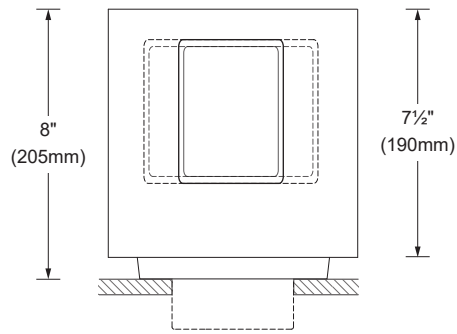
DIMMING

- D10** - 0-10V

DIMENSIONS



FRONT VIEW



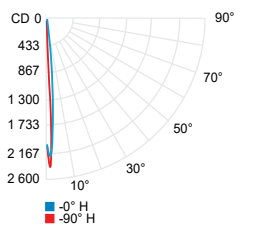
BOTTOM VIEW

PHOTOMETRIC DATA

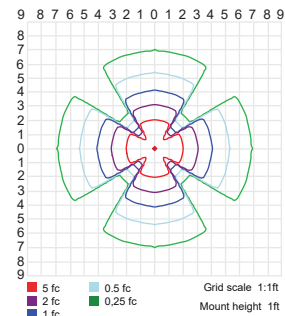
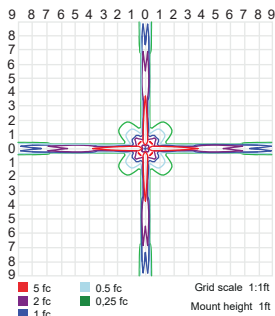
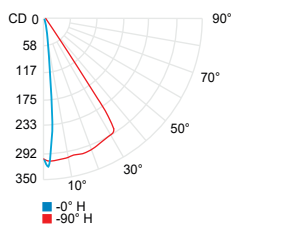
Visit sistimalux.com for complete photometric data.

CCT (K)	CRI	LOAD (W)	OPTIC	LUMENS (lm)	EFFICACY (lm / W)	MAX CANDELA (cd)	MODELS
3000K	90	18.2W	Narrow spot 2°	435	24	2565	S5080W
			Wide flood 60°	805	44	340	S5090W

4 x 2° Narrow spot (3000K, 90CRI)



4 x 60° Narrow spot (3000K, 90CRI)



CCT options	2700K	3000K	4000K
CRI options	90CRI	90CRI	80CRI
Multiplier	0.94	1	1.03