

LASER BLADE XS

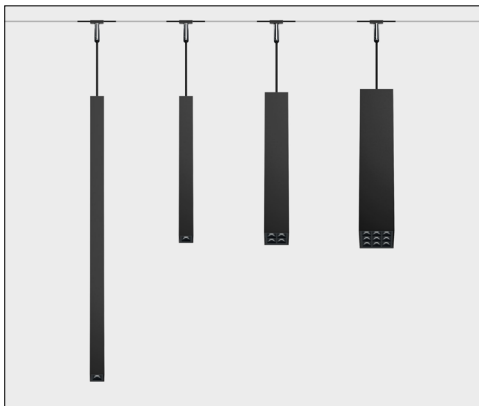
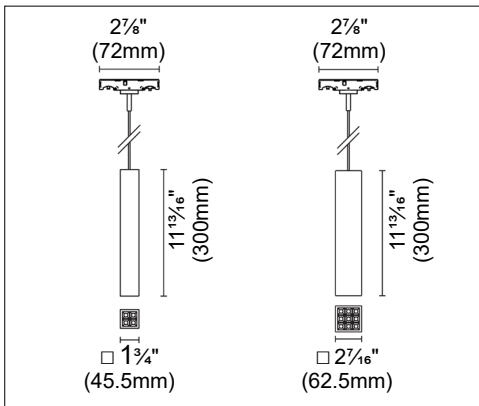
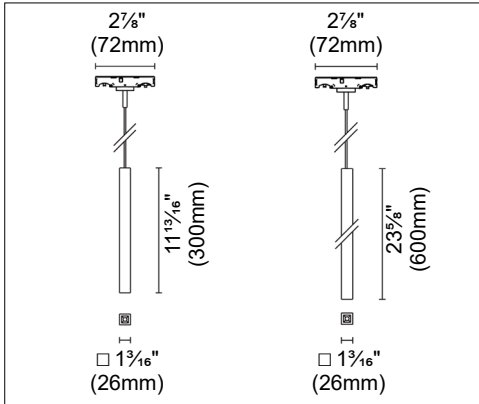
TRACK PENDANT FOR FILORAIL - DALI MULTI ADDRESS / 0-10V SINGLE ADDRESS

Type:

SPECIFICATION SHEET

Project:

Page: 1 of 3



Luminaire characteristic:

CCT (K)	MODELS	SIZE	POWER (W)	OPTIC	LUMENS (lm)	EFFICACY (lm / W)	MAX CANDELA (cd)
3000	Laser Blade XS	1 cell	2.5	Flood (44°)	168	67	307
		4 cells	7.7	Wide Flood (57°)	689	89	879
		9 cells	13.0	Wide Flood (57°)	1301	100	1660

Source:

White LED
2700K : 90CRI,
3000K : 90CRI,
3500K : 90CRI,
4000K : 90CRI,

Lumen maintenance:

80% of initial lumens at 50 000 hours (L90 B10) (LM-80).

Optics:

Flood.
High level of visual comfort.

Material:

Body: Extruded aluminium.
Adapter: Thermoplastic material.
Reflectors: metallized thermoplastic.

Mounting:

Adjustable spotlight with track adapter for 48V low voltage iGuzzini Filorail track (to be ordered separately). The length of the pendant cable can be manually adjusted on site.
The track heads can be mounted also on curved tracks.

Electrical:

Filorail Track Low Voltage 48V DC track system.

Control:

0-10V: All track heads will be controlled together.
DALI: Track heads are individually addressable.

Finish: (Body/Baffle)

White/White painted finish.
White/Black painted finish.
Black/Black painted finish.
Black/White painted finish.
White/Gold painted finish.
Black/Gold painted finish.
White/Burnished Chrome painted finish.
Black/Burnished Chrome painted finish.

Weight:

ILBXS-FR-13: 1.50lb (0.68kg)
ILBXS-FR-16: 1.06lb (0.48kg)
ILBXS-FR-43: 1.15lb (0.52kg)
ILBXS-FR-93: 1.65lb (0.75kg)

Warranty:

5 year limited warranty.

Ratings:

IP20

Certification:



cULus listed for dry location.

LASER BLADE XS

TRACK PENDANT FOR FILORAIL - DALI MULTI ADDRESS / 0-10V SINGLE ADDRESS

Type:

SPECIFICATION SHEET

Project:

Page: 2 of 3

ORDERING INFO

[CLICK HERE](#)



CONFIGURE



PRODUCT CODE

MODEL	SIZE	INSTALLATION	LED	OPTIC	FINISH (BODY/BAFFLE)	DIMMING	CIRCUIT CLASS	
ILBXS-FR Laser Blade Filorail	13 1 cell H=11 ¹³ / ₁₆ " (300mm)	P Track Pendant	927 2700K, 90CRI	FL ¹ Flood (44°)	31 White	TDA ³ DALI	CL2 Class 2	
	16 1 cell H=23 ³ / ₈ " (600mm)		930 3000K, 90CRI	WF ² Wide flood (57°)	02 Black/Black			TD10 ⁴ 0-10V
	43 4 cells H=11 ¹³ / ₁₆ " (300mm)		935 3500K, 90CRI	01 White/Black				
	93 9 cells H=11 ¹³ / ₁₆ " (300mm)		940 4000K, 90CRI	41 White/Gold				
					44 Black/Gold			
					E7 White/ Burnished Chrome			
					F1 Black/ Burnished Chrome			

- (1) Flood Optic only available on 1 cell models
- (2) Wide Flood only available on 4 cells and 9 cells models
- (3) Track heads are individually addressable
- (4) All track heads will be controlled together

DIMENSIONS

Laser Blade 1 cell

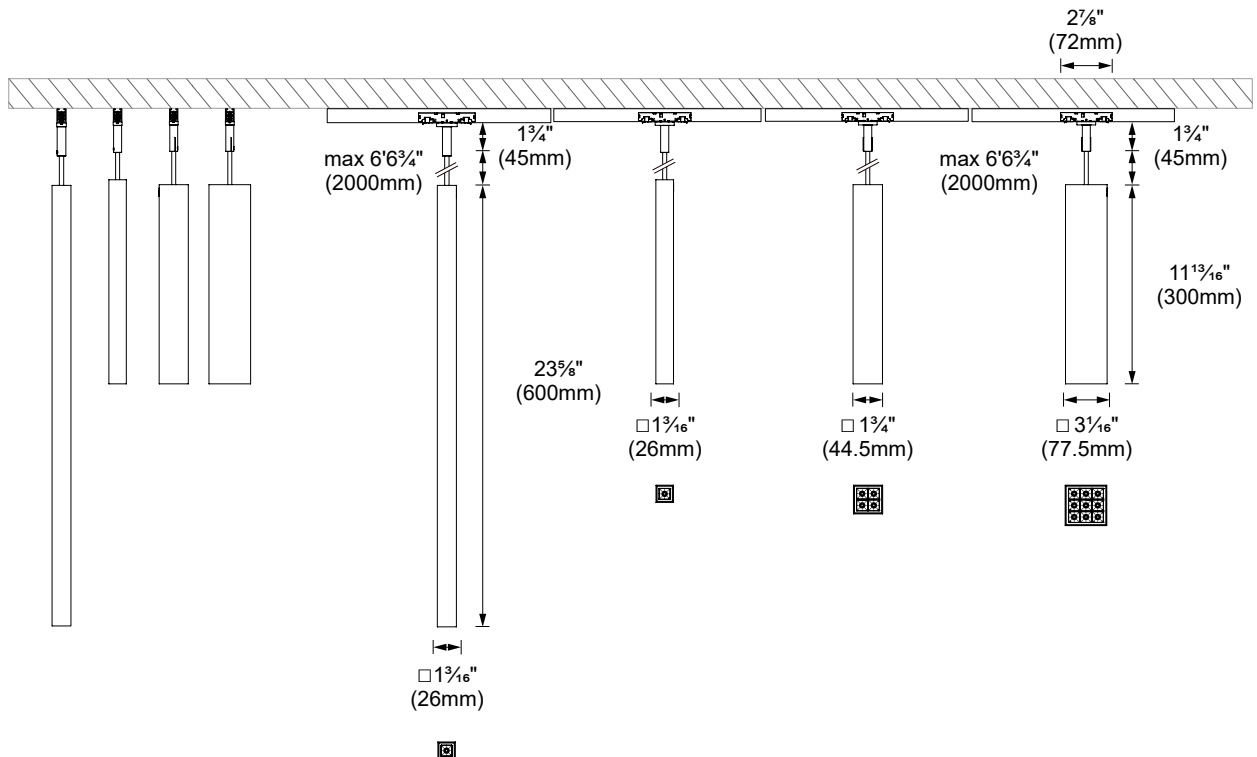
□ 1³/₁₆" (26mm)

Laser Blade 4 cell

□ 1³/₄" (45.5mm)

Laser Blade 9 cell

□ 2⁷/₁₆" (62.5mm)



LASER BLADE XS

TRACK PENDANT FOR FILORAIL - DALI MULTI ADDRESS / 0-10V SINGLE ADDRESS

Type:

SPECIFICATION SHEET

Project:

Page: 3 of 3

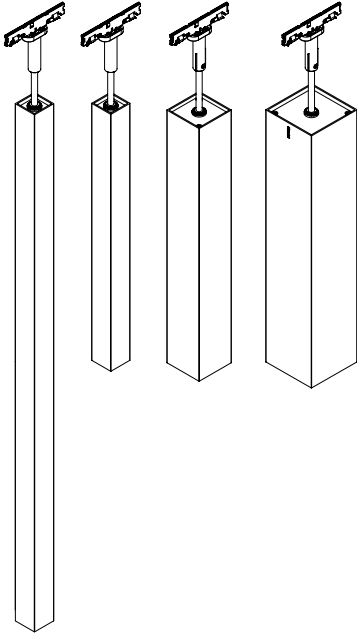
PHOTOMETRIC DATA

Visit iguzzini.com/us for complete photometric data.

Laser Blade 9x
2⁸/₁₆" (63mm)

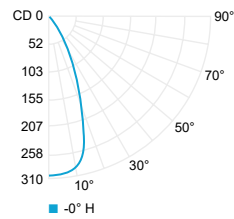
Laser Blade 4x
1³/₄" (45.5mm)

Laser Blade 9x
2⁷/₁₆" (62.5mm)

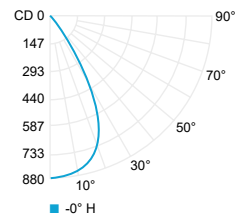


CCT (K)	CRI	POWER (W)	OPTIC	BEAM	LUMENS (lm)	EFFICACY (lm / W)	MAX CANDELA (cd)	MODELS
3000	90	2.3	Flood	44°	168	58	307	ILBXS-FR-13-P-930-FL
		7.7	Wide flood	57°	689	89	879	ILBXS-FR-43-P-930-FL
		13	Wide flood	57°	1301	100	1660	ILBXS-FR-93-P-930-FL

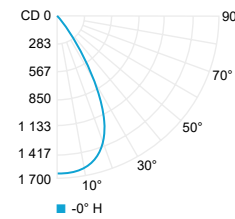
Flood, (3000K, 90CRI)



Wide Flood, (3000K, 90CRI)



Wide Flood, (3000K, 90CRI)



Center beam fc	Beam width ft
17ft	1.06
34ft	0.27
51ft	0.12
68ft	0.07
85ft	0.04
102ft	0.03

Center beam fc	Beam width ft
17ft	3.03
34ft	0.76
51ft	0.34
68ft	0.19
85ft	0.12
102ft	0.08

Center beam fc	Beam width ft
17ft	5.73
34ft	1.43
51ft	0.64
68ft	0.36
85ft	0.23
102ft	0.16

CCT options	2700K	3000K	3500K	4000K
CRI options	90CRI	90CRI	90CRI	90CRI
Multiplier-1 cell	1.00	1.00	1.05	1.20
Multiplier-4 cells	0.99	1.00	1.04	1.11
Multiplier-9 cells	1.01	1.00	1.03	1.31