

Wall mounted luminaire with excellent light control characteristics, gives improved lighting design solutions and precision with glare-free effects outside the declared angle of light emission.

Luminaire characteristic:

Power input: 7.5W
Lumens: 465lm to 509lm (for 3000K, 90CRI)
Luminaire efficacy: 68lm/W

Source:

White LED (LM-80),
2700K: 90CRI,
3000K: 90CRI,
4000K: 80CRI.

Lumen maintenance:

70% of initial lumens at 50 000 hours (L80)(LM-79)

Optic:

Available in spot and flood.

Material:

Body and End caps: Die-cast aluminum
Reflector: 99.98% pure anodized aluminum
Diffuser: Clear toughened glass
Hardware: Stainless steel screws and silicone gasket.

Mounting:

Installed on standard 4" octagonal junction box.

Electrical:

Integral high efficiency LED driver, rated at 50 000 hours. 120V.

Dimming:

Down to 10%, 0-10V (120V).

Finish:

White, aluminum gray or anthracite gray (RAL7022) painted finish, following a double powder paint in 3 step process: surface treatment containing ceramic nano particles (Bonderite). Epoxy primer paint. Polyester powder paint with high resistance against UV rays and harsh weather conditions.

Weight:

2.9lb (1.3kg)

Warranty:

5 year limited warranty.

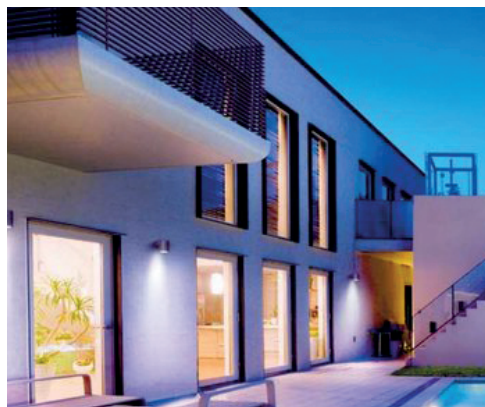
Ratings:

IP65, IK06

Certification:



cULus listed for wet location.



ORDERING INFO

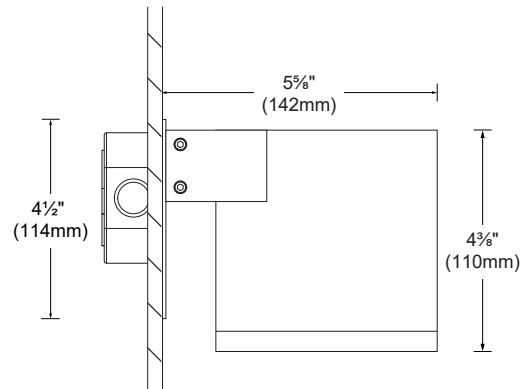


PRODUCT CODE

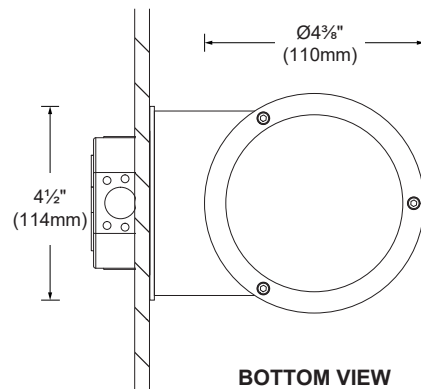
--	--	--	--	--

MODEL	LED	VOLTAGE	FINISH	DIMMING
S6658 SPOT 12°	H 90 CRI, 2700K	120 120V	01 WHITE	D10 0-10V (down to 10%)
S6628 FLOOD 31°	W 90 CRI, 3000K		14 ALUMINUM GRAY	
	N 80 CRI, 4000K		24 ANTHRACITE GRAY	

DIMENSIONS



SIDE VIEW



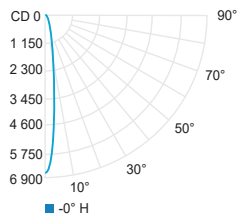
BOTTOM VIEW

PHOTOMETRIC DATA

Visit sistimalux.com for complete photometric data.

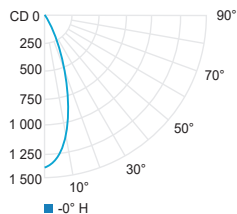
CCT (K)	CRI	LOAD (W)	OPTIC	LUMENS (lm)	EFFICACY (lm/w)	MAX CANDELA (cd)	MODELS
3000K	90	7.5W	Spot 12°	509	68	6 890	S6658W
			Flood 31°	465	62	1 406	S6628W

Spot 12° (3000K, 90CRI)



Center beam fc	Beam width ft
2ft	1 723
4ft	431
6ft	191
8ft	108
10ft	68.9
12ft	47.9

Flood 31° (3000K, 90CRI)



Center beam fc	Beam width ft
2ft	351
4ft	87.8
6ft	39.0
8ft	22.0
10ft	14.1
12ft	9.76

CCT options	2700K	3000K	4000K
CRI options	90CRI	90CRI	80CRI
Multiplier	0.99	1	1.09