

IMPORTANT - READ CAREFULLY BEFORE INSTALLING FIXTURE. RETAIN THESE INSTRUCTIONS FOR FUTURE REFERENCE.
 THIS PRODUCT MUST BE INSTALLED IN ACCORDANCE WITH THE NATIONAL ELECTRICAL CODE AND ALL APPLICABLE LOCAL CODES, BY A PERSON FAMILIAR WITH THE CONSTRUCTION AND OPERATION OF THE PRODUCT, AND THE HAZARDS INVOLVED. PROPER GROUNDING IS REQUIRED FOR SAFETY.

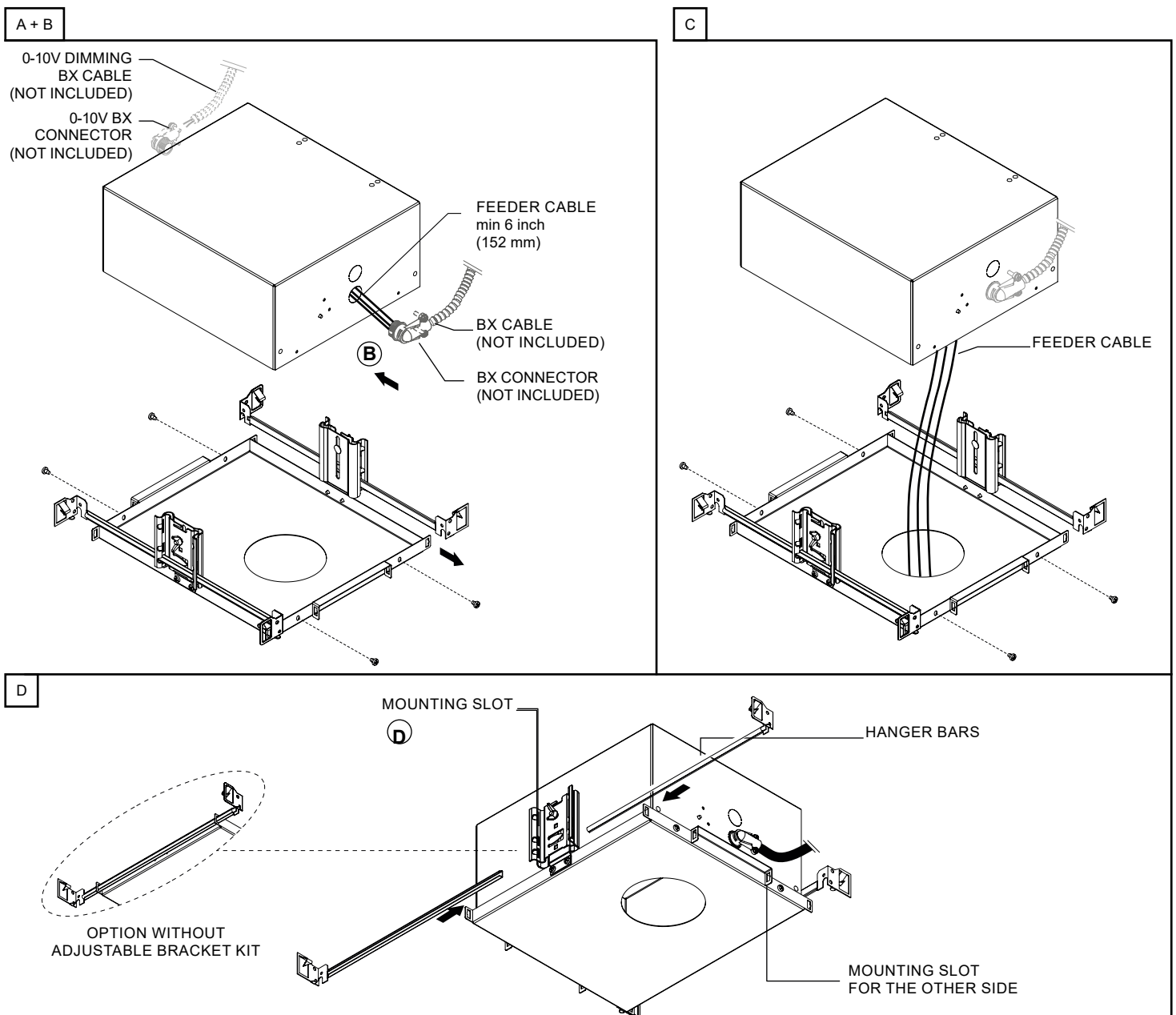
INSULATED CEILING OR AIRTIGHT INSTALLATION (IC / CP / AT*) INTEGRAL DRIVER (120V / 277V) DIMMING 0-10V (D10) - TRIAC/ELV (LTE) - DALI (DA)

PAGE 1-2

* Airtight box option (AT) will be available soon

⚠ DISCONNECT THE MAIN LINE BEFORE WIRING SECONDARY CONNECTORS

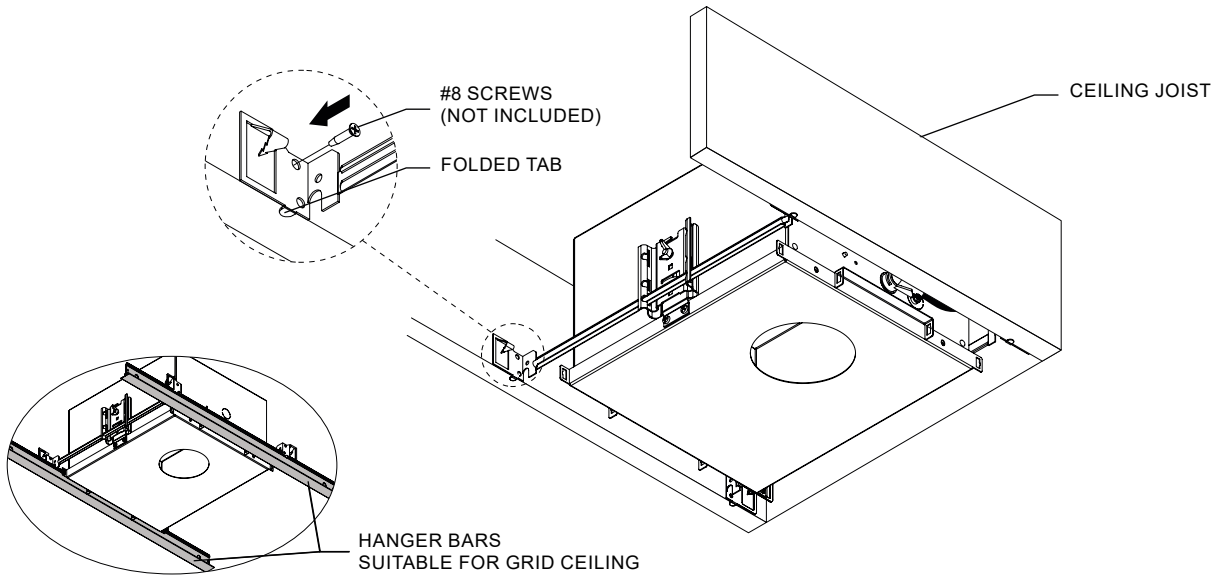
- A.** REMOVE (4) PHILLIPS SCREWS IN ORDER TO OPEN HOUSING.
 FOR INSULATED CEILING (IC) INSTALLATION: INSTALL BX CABLE (NOT INCLUDED) USING BX CONNECTOR (INCLUDED).
- B.** FOR CHICAGO PLENUM (CP) INSTALLATION: REMOVE THE KNOCKOUT, INSTALL A CONDUIT AND A CONDUIT CONNECTOR (NOT INCLUDED).
 FOR AIRTIGHT (AT) INSTALLATION: REMOVE THE KNOCKOUT, INSTALL AN AIRTIGHT CONDUIT AND A CONDUIT CONNECTOR (NOT INCLUDED).
- C.** CLOSE THE HOUSING BY SCREWING THE (4) PHILLIPS SCREWS PREVIOUSLY REMOVED (A).
 LEAVE AT LEAST 6" (152mm) OF FEEDER CABLE ACCESSIBLE FROM UNDER THE CEILING.
- D.** ENGAGE (4) HANGER BARS IN HOUSING SLOTS AVAILABLE AND CONNECT THEM TOGETHER.



TRIM & TRIMLESS MODELS : LOGP4 - R / S - IC / CP / AT - INTEGRAL: 120V / UNV (120-277V)

- E.** FASTEN HANGER BARS TO CEILING BRACE WITH #8 SCREWS (NOT INCLUDED). USE THE SMALL FOLDED TAB AT THE END OF THE BARS TO ALIGN WITH THE CEILING JOISTS. HANGER BARS ARE ALSO SUITABLE FOR GRID CEILING.
- F.** INSTALL THE DRYWALL AND MAKE THE CUT-OUT OPENING (SEE DIMENSIONS BELOW).

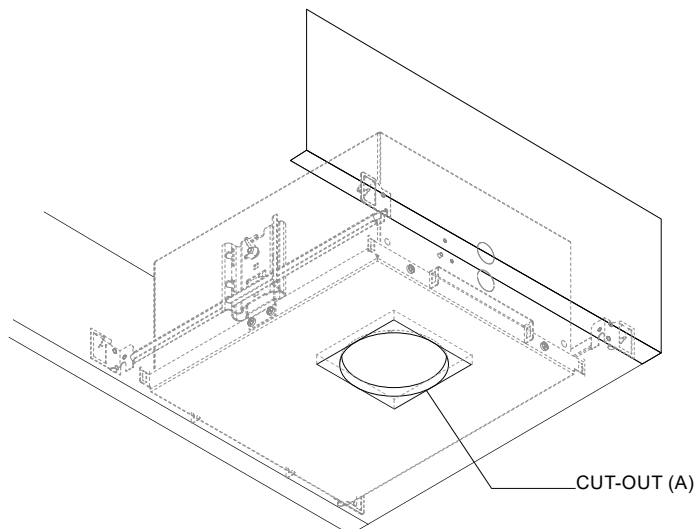
E



F

Model	Shape	Mounting	Housing	Cut-out Dimensions (A)	Ceiling Thickness	Clearance (H)
LOGP4R	Round	Trim	BI-LOGP4RT-IC/CP/AT*	Ø4" (Ø100mm)	1/16" - 15/16" (1-24mm)	6 1/2" (165mm)
		Trimless Mud	BI-LOGP4RL-IC/CP/AT*	Ø4 1/8" (Ø105mm)	1/16" - 15/16" (1-24mm)	
		Trimless Millwork	BI-LOGP4RM-IC/CP/AT*		1/2" - 15/16" (12.5-24mm)	
LOGP4S	Square	Trim	BI-LOGP4ST-IC/CP/AT*	□3 13/16" (□97mm)	1/16" - 15/16" (1-24mm)	
		Trimless Mud	BI-LOGP4SL-IC/CP/AT*	□3 3/8" (□99mm)	1/16" - 15/16" (1-24mm)	
		Trimless Millwork	BI-LOGP4SM-IC/CP/AT*	□3 13/16" (□97mm)	1/2" - 15/16" (12.5-24mm)	

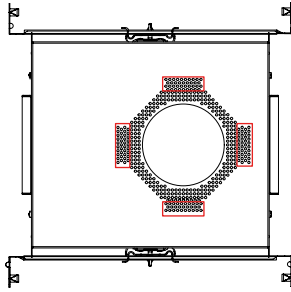
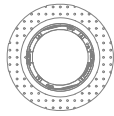
* Airtight box option (AT) will be available soon



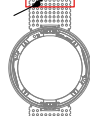
TRIMLESS KIT INSTALLATION (Before Fixture Installation if applicable)

PAGE 3

ROUND TRIMLESS MUD

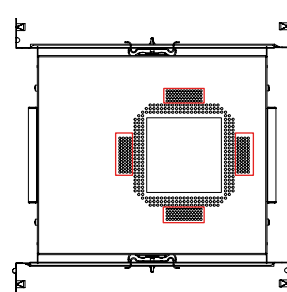
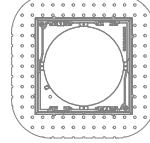


ROUND TRIMLESS MILLWORK

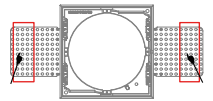


- CHECK THE DIRECTION
- CHECK BOTH SIDES FOR SCREW FIX

SQUARE TRIMLESS MUD



SQUARE TRIMLESS MILLWORK



- CHECK THE DIRECTION
- CHECK BOTH SIDES FOR SCREW FIX

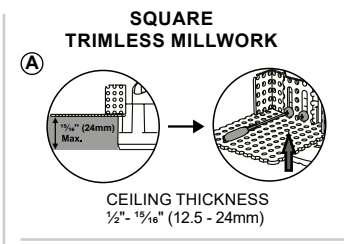
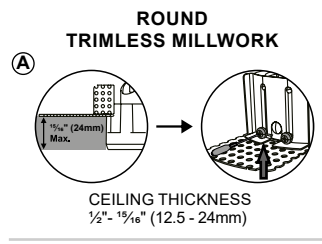
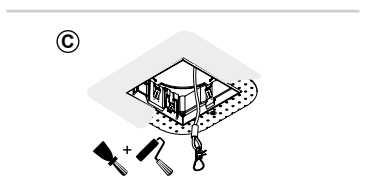
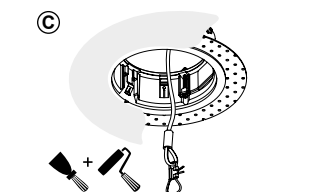
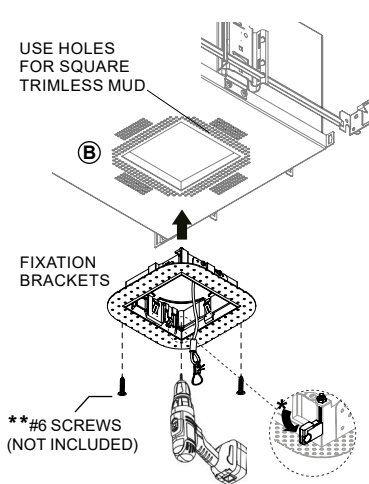
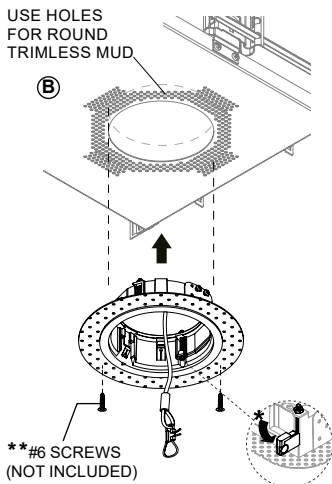
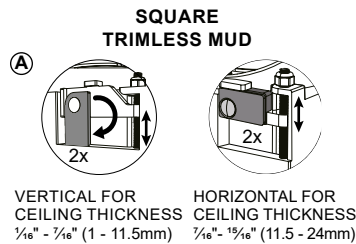
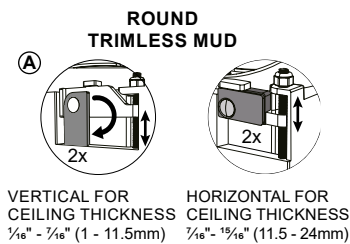
⚠ IMPORTANT: INSTALL TRIMLESS KIT IN THE CORRECT ORIENTATION TO ALLOW THE DRIVER TO PASS THROUGH AND FIT INSIDE THE INSULATION BOX.

ROUND / SQUARE TRIMLESS MUD:

- CHOOSE THE BRACKET DIRECTION (VERTICAL OR HORIZONTAL) DEPENDING ON THE CEILING THICKNESS.
- INSERT THE TRIMLESS KIT INTO THE CEILING. TO HOLD THE KIT IN THE CEILING, ADJUST THE (2X) FIXATION BRACKET ADJUSTMENT SCREWS WITH A DRILL (**RECOMMENDED**).
* THE BRACKETS WILL OPEN AUTOMATICALLY WHILE SCREWING.
** FOR BETTER FIXATION (**IF NEEDED**), SECURE THE TRIMLESS KIT TO THE CEILING USING (2X) #6 SCREWS (**NOT INCLUDED**)
- FINISH THE ASSEMBLY BY PLASTERING, SANDING AND PAINTING.

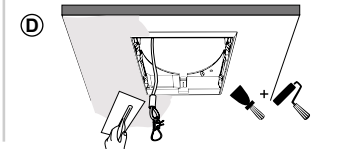
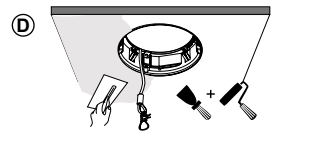
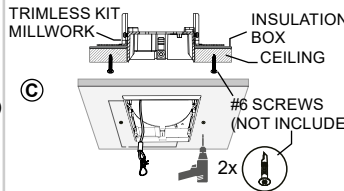
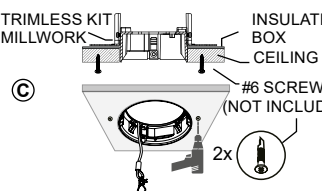
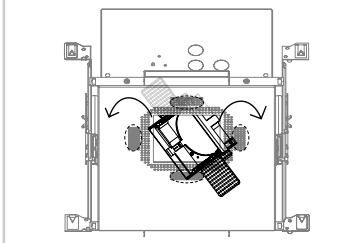
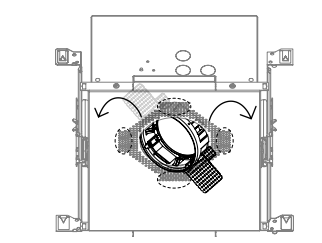
ROUND / SQUARE TRIMLESS MILLWORK:

- ADJUST BRACKET POSITION DEPENDING ON THE CEILING THICKNESS.
- POSITION THE TRIMLESS KIT IN THE CEILING
- SECURE THE TRIMLESS KIT TO THE CEILING USING (2X) #6 SCREWS (**NOT INCLUDED**).
- FINISH THE ASSEMBLY BY PLASTERING, SANDING AND PAINTING.



B PLACE THE TRIMLESS KIT INSIDE THE INSULATION BOX USE ONE OF TWO DIRECTIONS FOR ROUND TRIMLESS MILLWORK

B PLACE THE TRIMLESS KIT INSIDE THE INSULATION BOX USE ONE OF TWO DIRECTIONS FOR SQUARE TRIMLESS MILLWORK

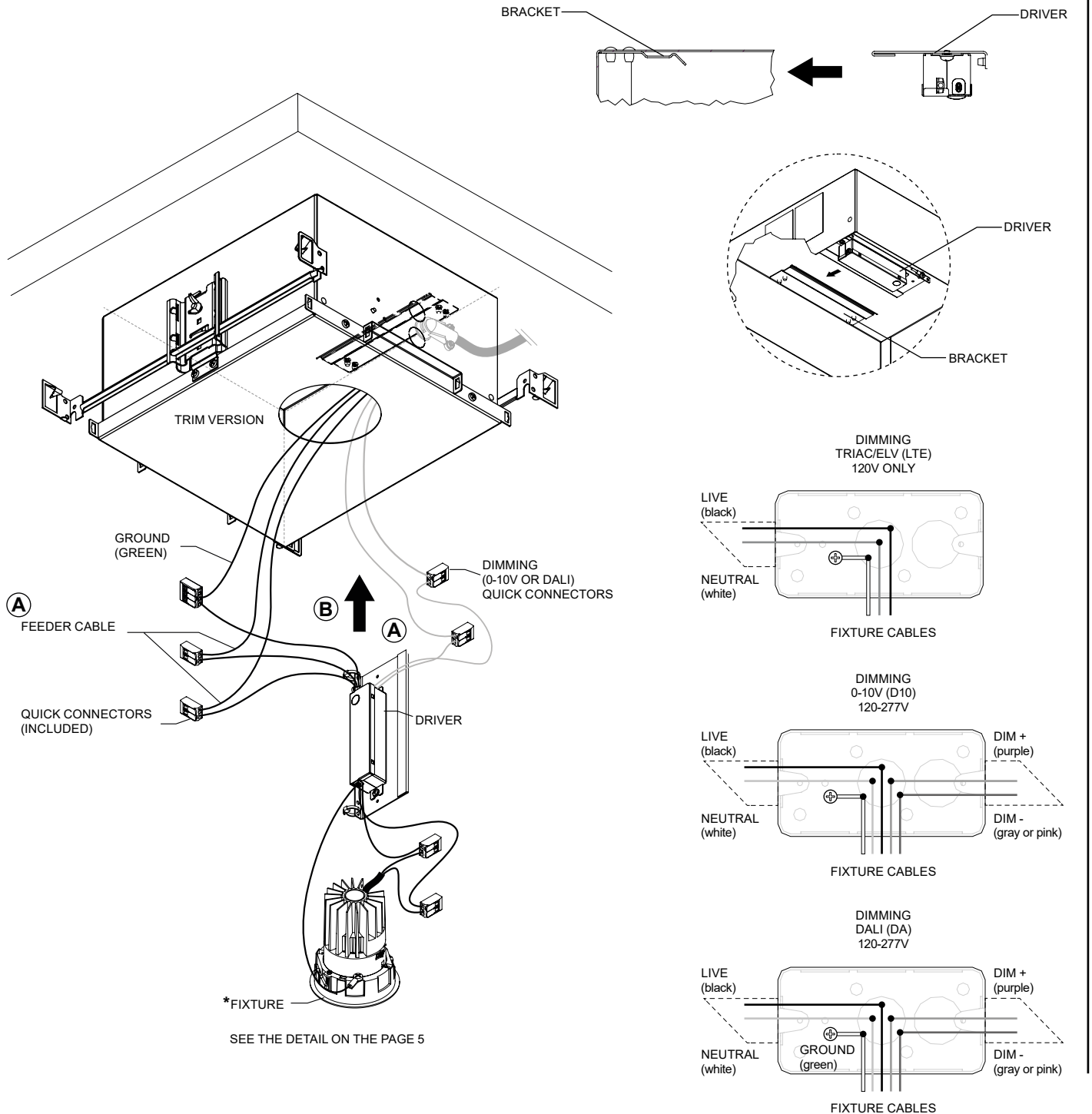


FIXTURE INSTALLATION

PAGE 4-6

- A. CONNECT THE DRIVER TO THE FEEDER CABLE (**FOLLOWING WIRING DIAGRAM**) WITH QUICK CONNECTORS (**INCLUDED**).
IF APPLICABLE, ALSO CONNECT THE DIMMING CABLE.
- B. INSERT THE DRIVER VERTICALLY THROUGH THE CEILING CUT-OUT INTO THE INSULATION BOX.
- C. ROTATE THE DRIVER TO A HORIZONTAL POSITION AND PLACE IT INSIDE THE INSULATION BOX.
(*FOR TRIMLESS*) PASS THE DRIVER ABOVE THE TRIMLESS KIT AND PLACE IT INSIDE THE INSULATION BOX.
- D. MAINTAIN PROPER CLEARANCE BETWEEN THE INSULATION BOX HOUSING AND THE LIGHTING FIXTURE.
* SEE THE DETAIL ON PAGE 5 FOR EACH CONFIGURATION.

A + B+C+D



TRIM VERSION (ROUND / SQUARE)

* FOLLOWING STEPS **A** TO **D** FROM PREVIOUS PAGE
E. CHOOSE THE BRACKET DIRECTION (**VERTICAL OR HORIZONTAL**) DEPENDING ON THE CEILING THICKNESS. INSERT THE TRIM KIT INTO THE CEILING. TO HOLD THE KIT IN THE CEILING, ADJUST THE **(2X)** FIXATION BRACKET ADJUSTMENT SCREWS WITH A DRILL (**RECOMMENDED**).
 * THE BRACKETS WILL OPEN AUTOMATICALLY WHILE SCREWING.

* FOLLOWING STEPS **A** TO **D** FROM PREVIOUS PAGE
E. CHOOSE THE BRACKET DIRECTION (**VERTICAL OR HORIZONTAL**) DEPENDING ON THE CEILING THICKNESS. INSERT THE TRIM KIT INTO THE CEILING. TO HOLD THE KIT IN THE CEILING, ADJUST THE **(2X)** FIXATION BRACKET ADJUSTMENT SCREWS WITH A DRILL (**RECOMMENDED**).
 * THE BRACKETS WILL OPEN AUTOMATICALLY WHILE SCREWING.

E **ROUND MODEL**

ROUND TRIMLESS MUD

VERTICAL FOR CEILING THICKNESS $\frac{1}{8}'' - \frac{3}{8}''$ (1 - 11.5mm)
 HORIZONTAL FOR CEILING THICKNESS $\frac{1}{8}'' - \frac{3}{4}''$ (11.5 - 24mm)

ROUND TRIMLESS MILLWORK

CEILING THICKNESS $\frac{1}{2}'' - \frac{3}{8}''$ (12.5 - 24mm)

FIXATION BRACKETS
 FIXATION BRACKET ADJUSTMENT SCREW

E **SQUARE MODEL**

SQUARE TRIMLESS MUD

VERTICAL FOR CEILING THICKNESS $\frac{1}{8}'' - \frac{3}{8}''$ (1 - 11.5mm)
 HORIZONTAL FOR CEILING THICKNESS $\frac{1}{8}'' - \frac{3}{4}''$ (11.5 - 24mm)

SQUARE TRIMLESS MILLWORK

CEILING THICKNESS $\frac{1}{2}'' - \frac{3}{8}''$ (12.5 - 24mm)

FIXATION BRACKETS
 FIXATION BRACKET ADJUSTMENT SCREW

TRIMLESS VERSION (ROUND / SQUARE – THE INSTALLATION DETAIL ON PAGE 3)

* ENSURE THE TRIMLESS KIT IS PROPERLY INSTALLED (SEE PAGE 3)
 * FOLLOWING STEPS **A** TO **D** FROM PREVIOUS PAGE
F. INSERT LIGHTING MODULE INTO THE FRAME KIT UNTIL IT CLICKS IN PLACE.

F

TRIMLESS-FRAME KIT
 LIGHTING MODULE
 CLICK

OPTICAL ADJUSTMENT AND FINAL ASSEMBLY

- G. THE OPTICAL ORIENTATION CAN BE MANUALLY ADJUSTED UP TO 30°(IF NECESSARY).
- H. INSERT THE BAFFLE INTO THE TRIM UNTIL IT CLICKS SECURELY INTO PLACE.

