

Collection of pole mounted projector, for urban lighting, available with asymmetric and symmetric reflector. Covers a wide range of applications and gives a high flexibility of use. Exceptional European build quality with high corrosion resistant finish.

Luminaire characteristics:

Power input: 20W
Lumens: 1 595lm (for 3000K)
Luminaire efficacy: Up to 79lm/W

Source: White LED (LM-80 Tested)
3000K: 90CRI
4000K: 90CRI

Lumen maintenance: 70% of initial lumens at 50 000 hours (L70) (LM79 tested)

Optics: Asymmetrical or symmetrical street optic.

Material: Body: Die-cast aluminum
Reflector: 99.98% pure anodized aluminum.
Diffuser: Toughened glass
Hardware: Stainless steel screws and silicone gaskets

Mounting: Install on 4" (102mm) diameter pole, using mounting accessory. Supplied with 20ft of power cable.

Electrical: See remote power supply options on page 3.

Finish: White or Aluminum gray painted finish follows adouble powder paint in 3 step process: surface treatment containing ceramic nanoparticles (Bonderite). Epoxy primer paint. Polyester powder paint with high resistance against UV rays and harsh weather conditions.

Weight: 5.73lbs (2.6kg)

EPA: 0.5ft² (0.05m²)

Warranty: 5 year limited warranty

Ratings: IP65, IK09

Certification:  cULus listed for Wet location

ORDERING INFO

- POL - REM -
FIXTURE



MODEL

- S3050N** - 4000K, Asymmetrical
 S3050W - 3000K, Asymmetrical
 S3055N - 4000K, Symmetrical
 S3055W - 3000K, Symmetrical

MOUNTING

- POL** - Pole mounted

ELECTRICAL

- REM** - Remote

FINISH

- 01** - White
 14 - Aluminum gray

ACCESSORIES

(TO BE ORDERED SEPARATELY)

- S3046** - Single pole mount For tenon $\varnothing 2\frac{3}{8}$ " ($\varnothing 60$ mm)
 Dim: 5" x 3 $\frac{3}{8}$ ", H: 1 $\frac{1}{2}$ " (1.1lb)
 Dim: 125 x 85, H: 36mm (0.5kg)



- S3047** - Double pole mount For tenon $\varnothing 2\frac{3}{8}$ " ($\varnothing 60$ mm)
 Dim: 4" x 3 $\frac{3}{8}$ ", H: 1 $\frac{1}{2}$ " (0.9lb)
 Dim: 100 x 85, H: 36mm (0.4kg)



POLE $\varnothing 4$ " ($\varnothing 102$ mm)

With tenon $\varnothing 2\frac{3}{8}$ " ($\varnothing 60$ mm), H: min: 3 $\frac{1}{2}$ " (86mm)

MOUNTING

- SUPPLIED BY OTHER**
 Contact factory for pole details

- SUPPLIED BY SISTEMALUX**
 Contact factory for pole details

HEIGHT: _____ FT

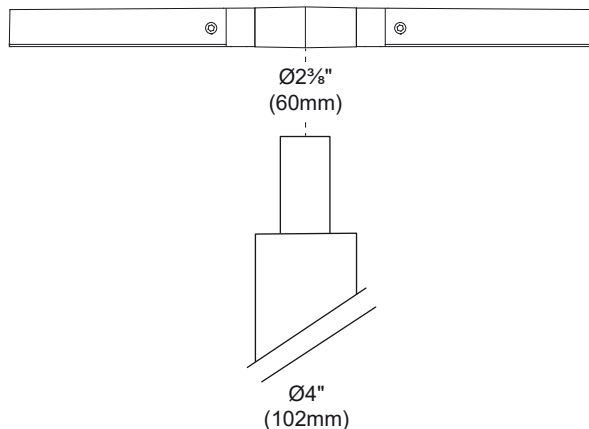
MODEL: Straight

INSTALLATION: Anchor bolts

ACCESS DOOR: Included (3' from ground)

MATERIEL: Aluminum
 Steel

FINISH: 14 - Gray
 Custom RAL _____

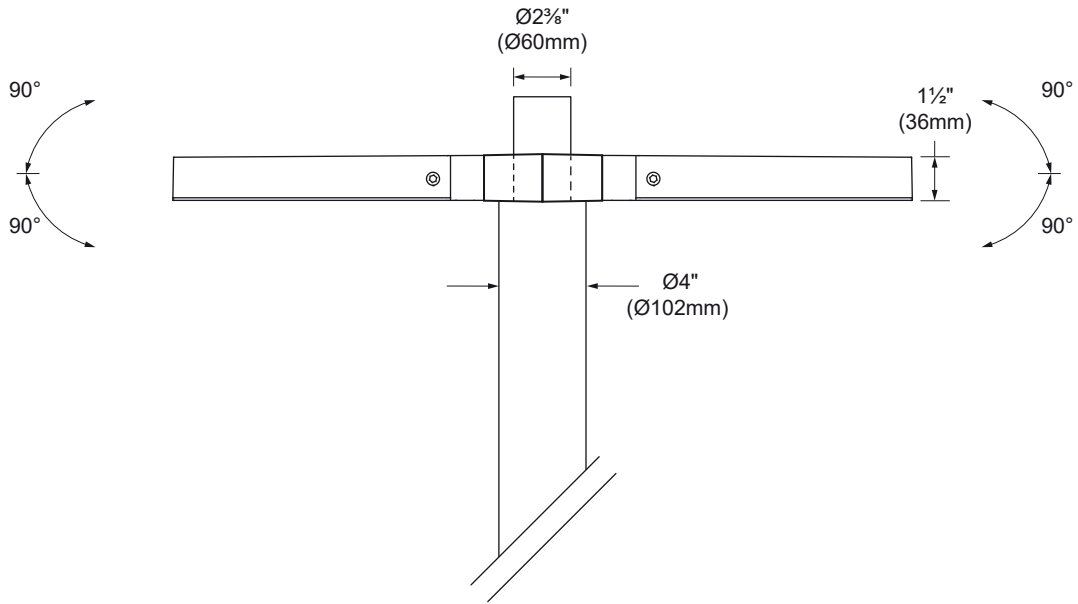


REMOTE LED DRIVER OPTION (TO BE ORDERED SEPARATELY)

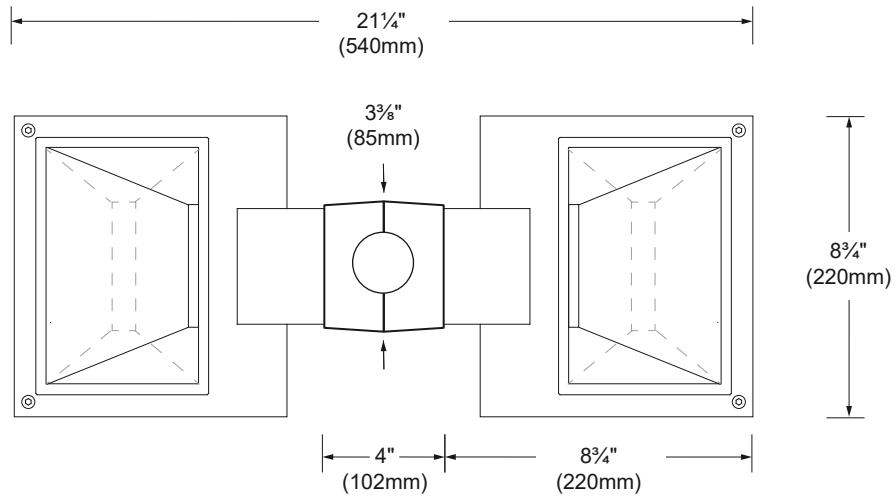
Requirement for one (1) fixture: 22W, 24V DC (Remote fixture only)

	Watts	Min-Max	Voltage	Rated	Dimming protocol	Box dimensions	Max distance 18AWG	Code
<input type="checkbox"/>	25	1	120-277V	Outdoor	None	7 ¹ / ₈ " X 4 ⁵ / ₈ " X 3" (181 X 117 X 76mm)	30ft (9m)	4548-0024-025-UNV-ND
<input type="checkbox"/>	75	1-3	120-277V	Outdoor	None	11 ¹ / ₄ " X 3" X 1 ¹ / ₄ " (285 X 75 X 42mm)	30ft (9m)	4545-0024-075-UNV-ND
<input type="checkbox"/>	80	1-3	120V	Outdoor	Leading and trailing edge (ELV and TRIAC)	14" X 5" X 2" (356 X 127 X 51mm)	30ft (9m)	4551-0024-080-120-LTE
<input type="checkbox"/>	200	1-4 Per channel (Max 8)	120-277V	Outdoor	None	12" X 4 ¹ / ₂ " X 2 ³ / ₈ " (305 X 114 X 60mm)	30ft (9m) Per channel	4546-0024-200-2C-UNV-ND

DIMENSIONS



SIDE VIEW

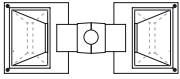


BOTTOM VIEW

TECHNICAL DATA

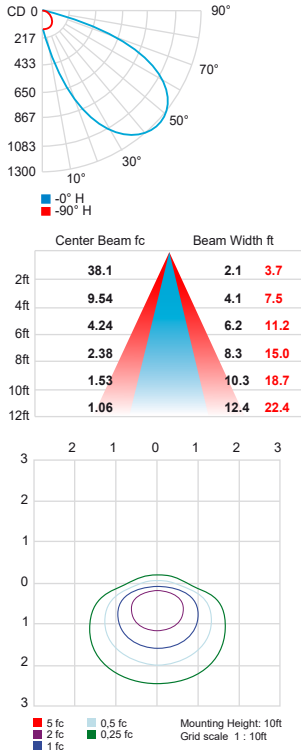
Visit sistimalux.com for complete photometric data.

On Pole



CCT (K)	CRI	LOAD (W)	OPTIC	LUMENS (lm)	EFFICACY (lm / w)	MAX CANDELA (cd)	MODELS
3000K	90	20W	Asymmetrical	1 595	79	1 280	S3050W
				1 545	77	1 250	S3050N
4000K	90	20W	Symmetrical	1 505	75	710	S3055W
				1 560	78	675	S3055N

Asymmetrical (3000K, 90 CRI)



Symmetrical (3000K, 90 CRI)

