

Collection of multi-lamps directional LED downlights. Multiple Small is most suitable for small scale commercial and residential lighting applications where scalable lighting solutions are required. Highly reliable thermal design ensures long lasting performance and color consistency.

Luminaire characteristics:

Power input: 10.8W to 84W
Lumens: Up to 1254lm per lamp (for 3000K, 80CRI)
Luminaire efficacy: Up to 89lm/W

Source: BRIDGELUX VERO LED module (LM-80) or BRIDGELUX FULL SPECTRUM LED MODULE (LM-80):
2700K: 90CRI, full spectrum,
3000K: 80CRI, 90CRI, full spectrum,
3500K: 80CRI, 90CRI, full spectrum,
4000K: 80CRI.

Lumen maintenance: 90% of initial lumens at 100 000 hours (L90) (LM-79).

Optics: Available in spot, narrow flood, flood or wide flood. Each optical assembly is adjustable 30° in all axis. A wide range of optical accessories are available.

Material: Optical assembly: Die-cast aluminum
Heatsink: Extruded aluminum
Reflector: High bright anodized aluminum
Lens: PMMA TIR
Housing: Black oxide steel
Connection box and hardware: Galvanized steel

Mounting: New construction plaster frame, new construction housing suitable for insulated ceiling or remodeling. No plaster frame needed for remodeling option. (page 3-4)

Electrical: Integral high efficiency LED driver, rated at 50 000 hours, 120-277V.

Dimming: 0-10V (120-277V) or leading edge (TRIAC) and trailing edge (ELV) dimming (120V only), down to 15%.

Finish: White RAL9003, black RAL9004 or gray RAL9006 painted finish.

Weight: 8108: 3.3lbs (1.5kg)
8118: 3.3lbs (1.5kg)
8128: 5.5lbs (2.5kg)
8138: 7.3lbs (3.3kg)
8148: 9.9lbs (4.5kg)
8168: 14.8lbs (6.7kg)

Warranty: 5 year limited warranty.

Ratings: IP20.

Certification: cULus listed for damp location. Interior use only.



ORDERING INFO



PRODUCT CODE			INSTALLATION CODE			
MODEL	INSTALLATION	LED	OPTIC	VOLTAGE	FINISH	DIMMING
8108 Single, round	RF Remodel	<i>Static white</i>	LSP ² Lens spot 15°	120 120V	01 White	120V
8118 Single	NC New construction plaster frame	830 3000K, 80CRI	SP Spot 24°	UNV ³ 120-277V	02 Black	LTE Leading edge and trailing edge (down to 15%)
8128 Double	IC ¹ New construction insulated ceiling	835 3500K, 80CRI	NF Narrow flood 30°		10 Gray	120-277V (UNV)
8138 Triple		840 4000K, 80CRI	FL Flood 39°			
8148 Four, square		927 2700K, 90CRI	WF Wide flood 58°			
8148L Four, long		930 3000K, 90CRI				
8168 Six		935 3500K, 90CRI				D10 ^{4,5} 0-10V (down to 15%)
		<i>Full Spectrum</i>				
		F27 2700K, full spectrum				
		F30 3000K, full spectrum				
		F35 3500K, full spectrum				

- 1 Available for single (8108, 8118) or double (8128) models.
- 2 Available with 927, 930, 935, F27, F30 or F35 LED.
- 3 Not available for 8128, 8138, 8148, 8148L and 8168 models with lens spot (LSP) optic.
- 4 Available for 120-277V (UNV) voltage.
- 5 For 8128, 8138, 8148, 8148L and 8168 models: Available for lens spot (LSP) optic with 120V (120) voltage.

ACCESSORIES (TO BE ORDERED SEPARATELY)

*Maximum of 3 accessories per optical assembly.

8050 - Frosted glass lens



8675-02 - Black louver



8111-02 - Black snoot
Length: 1 3/4" (44mm)



1597A-52 - Black snoot
Length: 1 5/8" (40mm)



1594A-52 - Black cross baffle
Length: 7/8" (22.5mm)



1595A-52 - Black visor wall washer
Length: 1 3/4" (44mm)



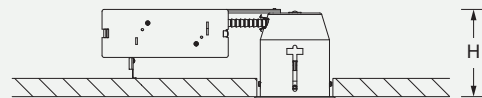
INSTALLATION OPTIONS

Remodel (RF)

Versatile fixture for new or existing ceiling structure. Suitable for insulated or non-insulated ceiling assemblies, like sheetrock, or paneling. Fixture is ready for remodeling installation.

Ceiling thickness: 1/8" to 1 1/8" (3mm - 29mm)

Insulated ceiling: Suitable for 8108 and 8118 models



Model	Cut-out dimensions	Clearance (H)
8108	Ø 4 3/4" (Ø 121mm)	10" (254mm)
8118	4 1/2" X 4 1/2" (114 x 114mm)	6" (152mm)
8128	8 1/2" X 4 1/2" (216 x 114mm)	
8138	12 1/4" X 4 1/2" (311 x 114mm)	
8148	8 1/2" X 8 1/2" (216 x 216mm)	7 1/2" (191mm)
8148L	16" X 4 1/2" (406 x 114mm)	6" (152mm)
8168	23 1/2" X 4 1/2" (570 x 114mm)	

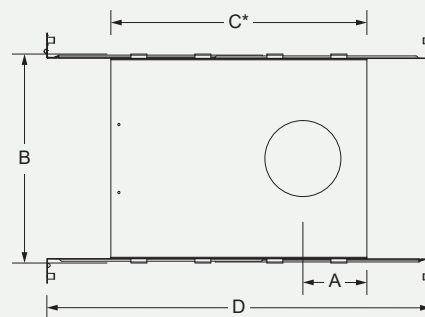
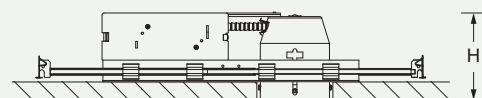
*Can be installed from below the ceiling.

New construction with plaster frame (NC)

Plaster frame with hanger bars system to be installed during rough-in phase. Suitable for insulated or non-insulated ceiling assemblies, like sheetrock, or paneling. Plaster frame and trim can be shipped separately.

Ceiling thickness: 1/8" to 1 1/8" (3mm to 29mm)

Insulated ceiling: Suitable for 8108 and 8118 models



*Provide a minimum of 1 1/8" (46mm) on each side for the hanger bar fixations

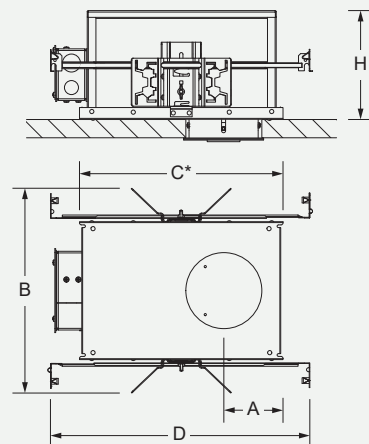
Model	Plaster frame	Cut-out dimensions	Cut-out position (A)	Overall dimensions (BxC)	Hanger bars (D)	Clearance (H)
8108	BN-8108-NC	Ø 4 3/4" (Ø 121mm)	4" (102mm)	12 1/2" x 16" (318 x 406mm)	14 1/4" to 26" (362 to 660mm)	10" (254mm)
8118	BN-8118-NC	4 1/2" X 4 1/2" (114 x 114mm)	3 3/4" (95mm)	8 3/8" x 12 1/2" (219 x 316mm)		6" (152mm)
8128	BN-8128-NC	8 1/2" X 4 1/2" (216 x 114mm)	6 3/8" (162mm)	8 3/8" x 12 1/4" (219 x 322mm)		7 1/2" (191mm)
8138	BN-8138-NC	12 1/4" X 4 1/2" (311 x 114mm)	9 1/8" (232mm)	7 5/8" x 16 3/4" (194 x 425mm)		6" (152mm)
8148	BN-8148-NC	8 1/2" X 8 1/2" (216 x 216mm)	7 3/8" (187mm)	12" x 13 1/8" (305 x 333mm)		7 1/2" (191mm)
8148L	BN-8148L-NC	16" X 4 1/2" (406 x 114mm)	11" (279mm)	7 5/8" x 20 1/2" (194 x 521mm)		6" (152mm)
8168	BN-8168-NC	23 1/2" X 4 1/2" (570 x 114mm)	14 3/4" (375mm)	7 5/8" x 28" (194 x 711mm)		6" (152mm)

INSTALLATION OPTIONS

New construction with housing suitable for insulated ceiling (IC)

(For Single and Double models only)
Housing with hanger bars system for new construction installations.
Suitable for insulated ceiling applications.
Housing and trim can be shipped separately.

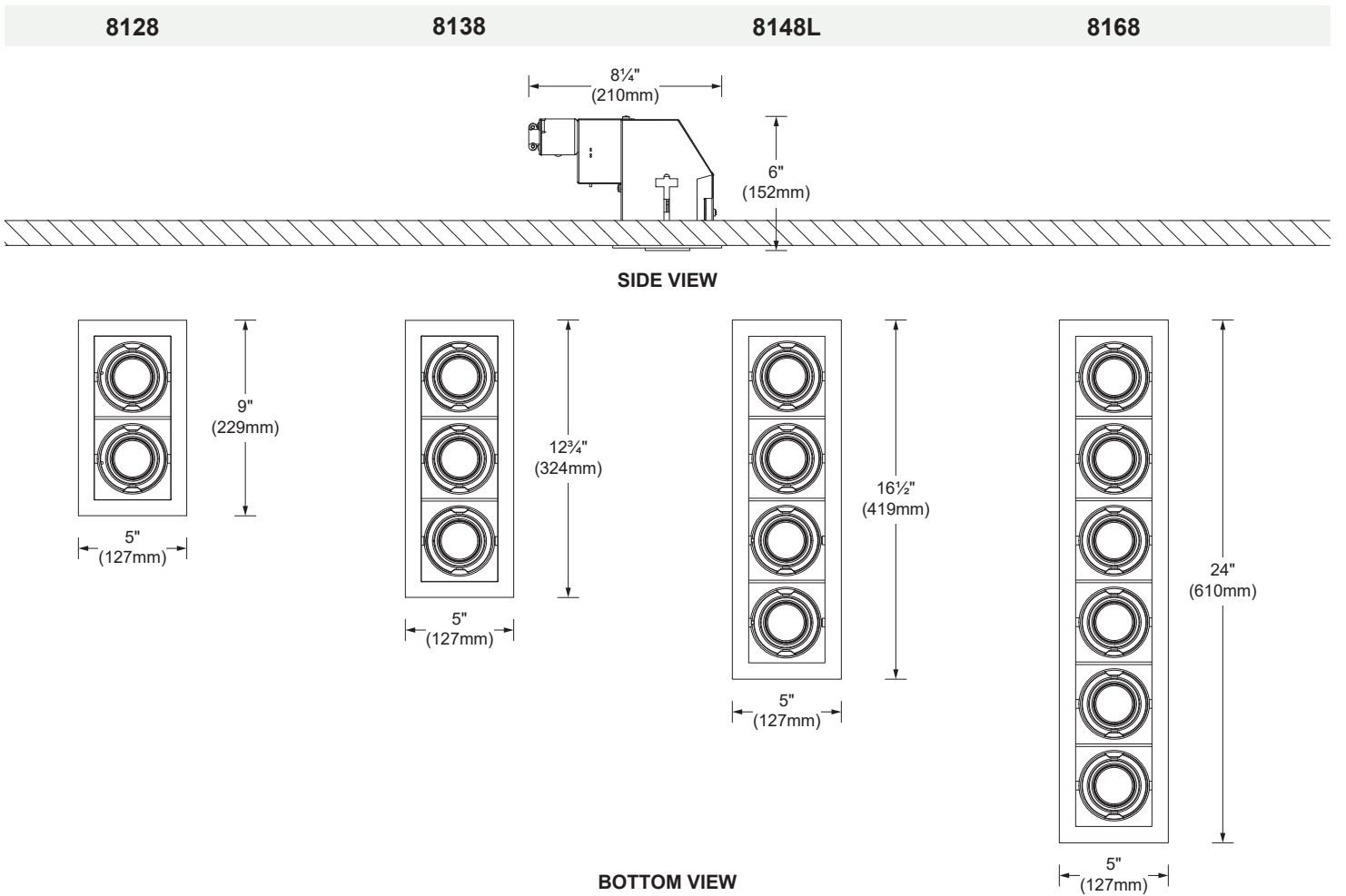
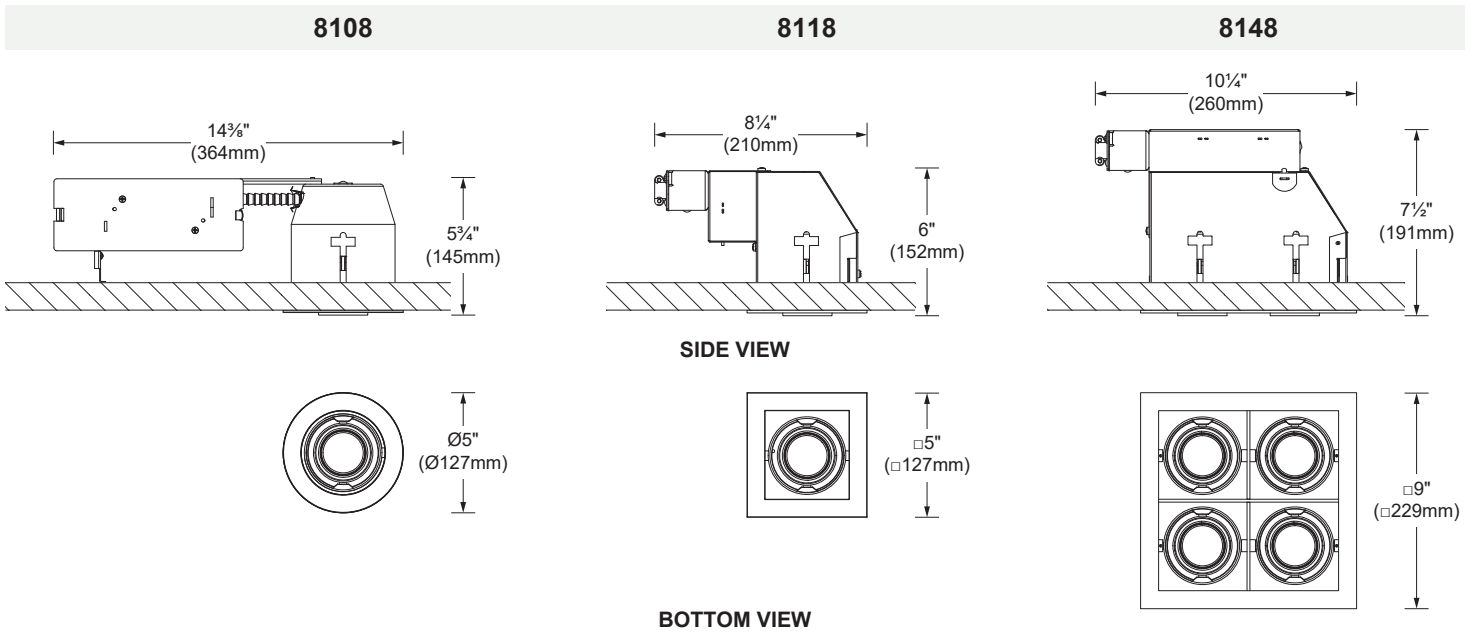
Ceiling thickness: 1/8" - 1 1/8" (3mm - 29mm)
Total weight: 11.16lbs (5.06kg)



*Provide a minimum of 1/8" (46mm) on each side for the hanger bar fixations

Model	Housing	Cut-out dimensions	Cut-out position (A)	Overall dimensions (BxC)	Hanger bars (D)	Clearance (H)
8108	BI-8108-IC	Ø4 3/4" (Ø121mm)	3 3/4" (95mm)	12 7/8" X 14 3/8" (327 x 365mm)	14 1/4" to 26" (362 to 660mm)	6 7/8" (174mm)
	BI-8108-IC-D10					
8118	BI-8118-IC	4 1/2" X 4 1/2" (114 x 114mm)	6" (152mm)	14 1/2" X 21 7/8" (368 x 556mm)	14 1/4" to 26" (362 to 660mm)	8 5/8" (219mm)
	BI-8118-IC-D10					
8128	BI-8128-IC	8 1/2" X 4 1/2" (216 x 114mm)	6" (152mm)	14 1/2" X 21 7/8" (368 x 556mm)	14 1/4" to 26" (362 to 660mm)	8 5/8" (219mm)
	BI-8128-IC-D10					

MODEL DIMENSIONS



STATIC WHITE LED COLOR FIDELITY DATA

CRI	CCT	R1	R2	R3	R4	R5	R6	R7	R8	R9	R10	R11	R12	R13	R14	R15	Rf	Rg	Melanopic ratio
80	3000K	82	92	97	83	83	90	84	61	12	81	82	75	85	99	75	86	96	0.52
	3500K	81	89	95	80	80	84	85	63	9	73	78	61	82	97	75	83	97	0.58
	4000K	80	88	93	81	80	83	87	66	10	71	79	56	82	96	74	83	95	0.67
90	2700K	91	94	93	90	89	91	93	82	60	83	89	74	91	95	88	89	101	0.44
	3000K	94	96	96	91	92	94	93	85	66	89	90	77	94	97	92	90	100	0.51
	3500K	95	98	96	92	93	94	94	88	74	91	91	74	96	97	94	90	99	0.65

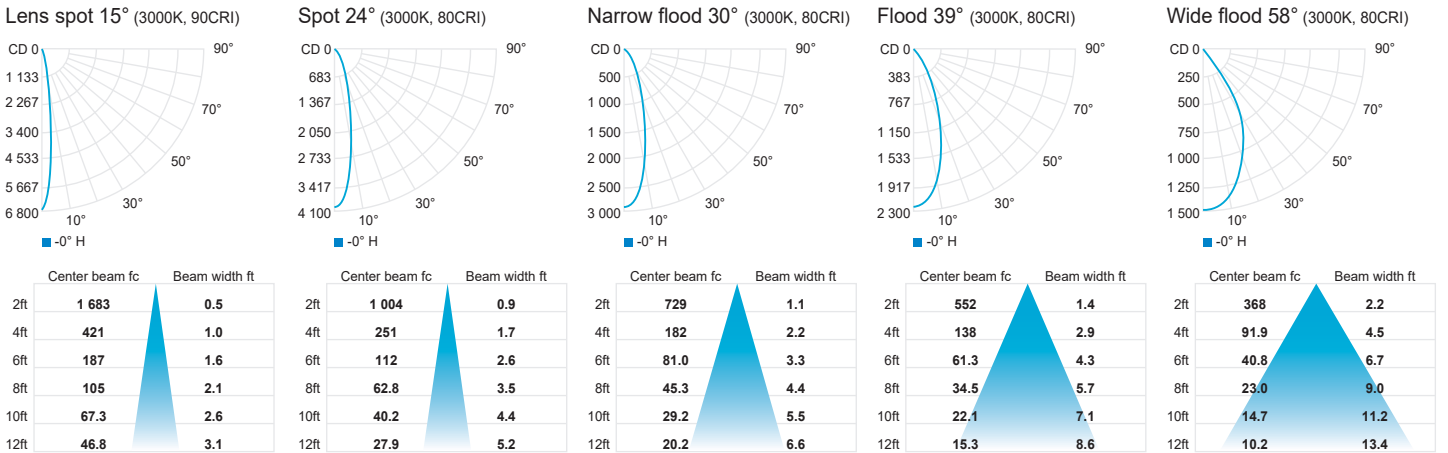
STATIC WHITE PHOTOMETRIC DATA

Visit sistemalux.com for complete photometric data.

*Photometric data for each individual lamp head.

CCT (K)	CRI	LOAD (W)	OPTIC	LUMENS (lm)	EFFICACY (lm / W)	MAX CANDELA (cd)	MODELS
3000K	90	10.8W	Lens spot 15°	664	61	6 733	81X8-930-LSP
	80	14W	Spot 24°	1 254	89	4 015	81X8-830-SP
			Narrow flood 30°	1 195	85	2 915	81X8-830-NF
			Flood 39°	1 205	86	2 205	81X8-830-FL
			Wide flood 58°	1 231	87	1 470	81X8-830-WF

***USE MULTIPLIER TABLE FOR OTHER CCT AND CRI OUTPUT DATA**



	Reflector						Lens spot 15° (LSP)		
CCT options	2700K	3000K	3000K	3500K	3500K	4000K	2700K	3000K	3500K
CRI options	90CRI	80CRI	90CRI	80CRI	90CRI	80CRI	90CRI	90CRI	90CRI
Multiplier	0.81	1	0.85	1.02	0.84	1.03	0.94	1	1.02

FULL SPECTRUM SOLUTION FOR NATURAL LIGHT

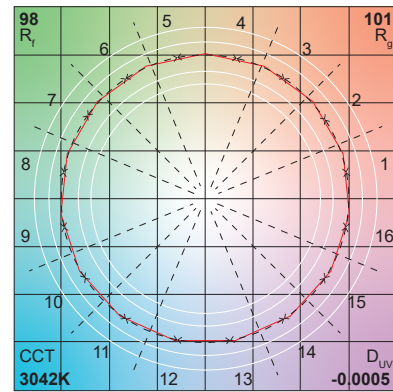
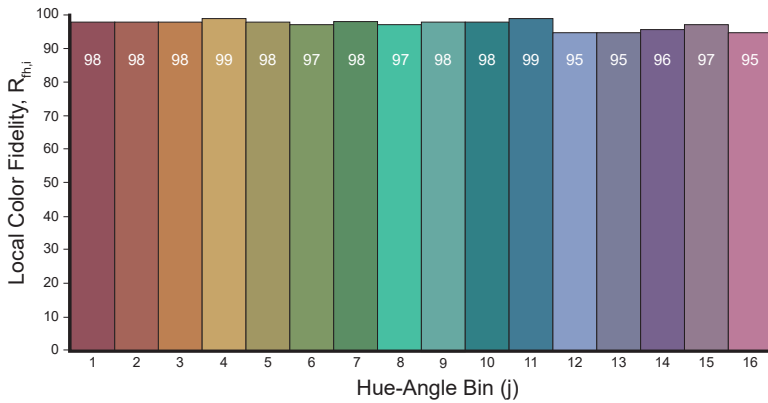
Engineered to provide the closest match to natural light available, our full spectrum solution brings natural light indoors.

The high-fidelity spectral output creates stunning environments with excellent color rendering and outstanding TM-30 metrics. Target applications included office, education, healthcare, retail, hospitality, architectural, museums, and residential lighting.

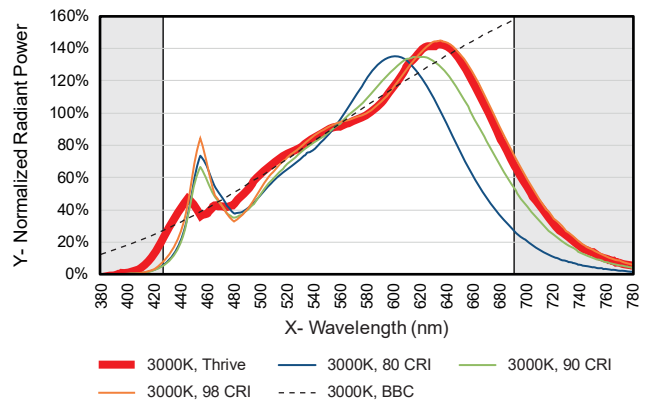
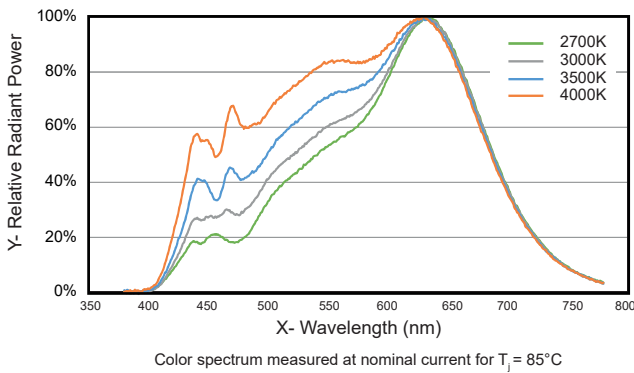
Nominal CCT ¹	R1	R2	R3	R4	R5	R6	R7	R8	R9	R10	R11	R12	R13	R14	R15	Rf	Rg
2700K	97	99	94	94	97	98	97	98	99	97	91	98	98	95	98	95	103
3000K	98	99	93	94	97	98	96	96	97	96	92	95	98	95	97	95	104
3500K	98	98	97	98	98	98	98	97	93	97	97	95	98	97	98	95	98

Typical Color Rendering Index and TM-30 Values at, T = 85°C

TM-30 Data for 3000K



Typical Color Spectrum



FULL SPECTRUM PHOTOMETRIC DATA

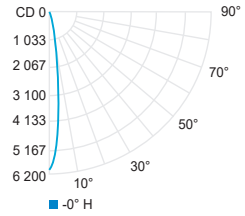
Visit sistemalux.com for complete photometric data.

*Photometric data for each individual lamp head.

CCT (K)	LOAD (W)	OPTIC	LUMENS (lm)	EFFICACY (lm / W)	MAX CANDELA (cd)	MODELS
3000K	10.8W	Lens spot 15°	610	56	6 178	81X8-F30-LSP
	13.5W	Spot 25°	881	65	2 820	81X8-F30-SP
		Narrow flood 30°	840	62	2 045	81X8-F30-NF
		Flood 39°	847	62	1 550	81X8-F30-FL
		Wide flood 58°	865	64	1 030	81X8-F30-WF

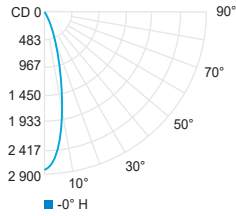
*USE MULTIPLIER TABLE FOR OTHER CCT AND CRI OUTPUT DATA

Lens spot 15° (3000K)



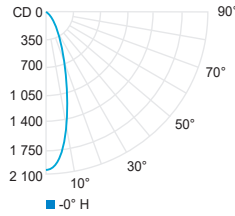
	Center beam fc	Beam width ft
2ft	1 545	0.5
4ft	386	1.0
6ft	172	1.6
8ft	96.5	2.1
10ft	61.8	2.6
12ft	42.9	3.1

Spot 24° (3000K)



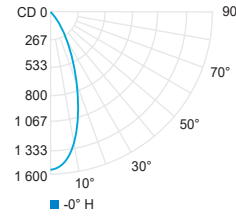
	Center beam fc	Beam width ft
2ft	706	0.9
4ft	176	1.7
6ft	78.4	2.6
8ft	44.1	3.5
10ft	28.2	4.4
12ft	19.6	5.2

Narrow flood 30° (3000K)



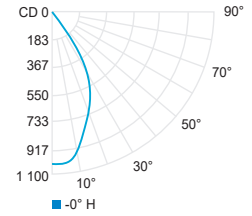
	Center beam fc	Beam width ft
2ft	512	1.1
4ft	128	2.2
6ft	56.9	3.3
8ft	32.0	4.4
10ft	20.5	5.5
12ft	14.2	6.6

Flood 39° (3000K)



	Center beam fc	Beam width ft
2ft	388	1.4
4ft	97.0	2.9
6ft	43.1	4.3
8ft	24.2	5.7
10ft	15.5	7.1
12ft	10.8	8.6

Wide flood 58° (3000K)



	Center beam fc	Beam width ft
2ft	258	2.2
4ft	64.6	4.5
6ft	28.7	6.7
8ft	16.1	9.0
10ft	10.3	11.2
12ft	7.18	13.4

	Reflector			Lens spot 15° (LSP)		
	2700K	3000K	3500K	2700K	3000K	3500K
CCT options	2700K	3000K	3500K	2700K	3000K	3500K
CRI options	Full spectrum	Full spectrum	Full spectrum	Full spectrum	Full spectrum	Full spectrum
Multiplier	0.92	1	1.04	0.94	1	1.05