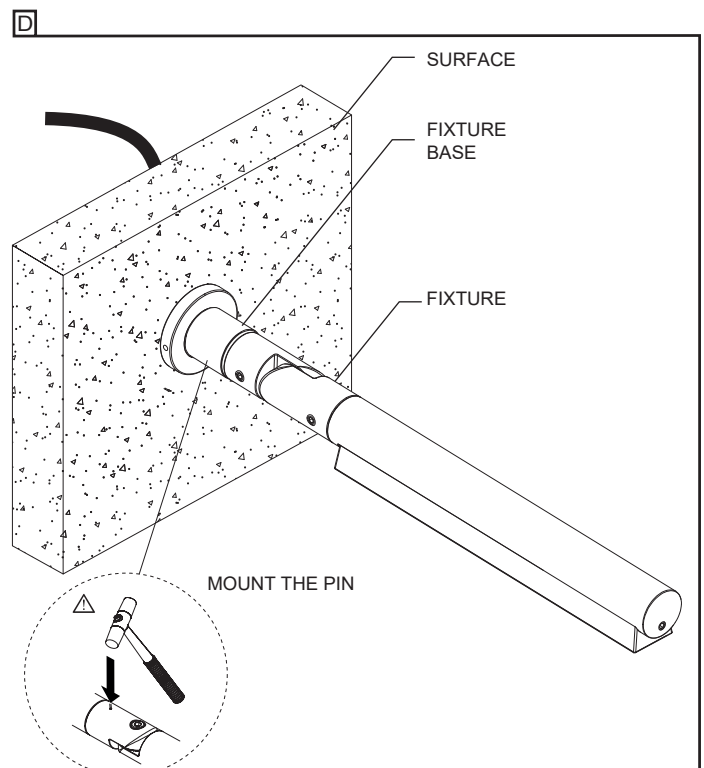
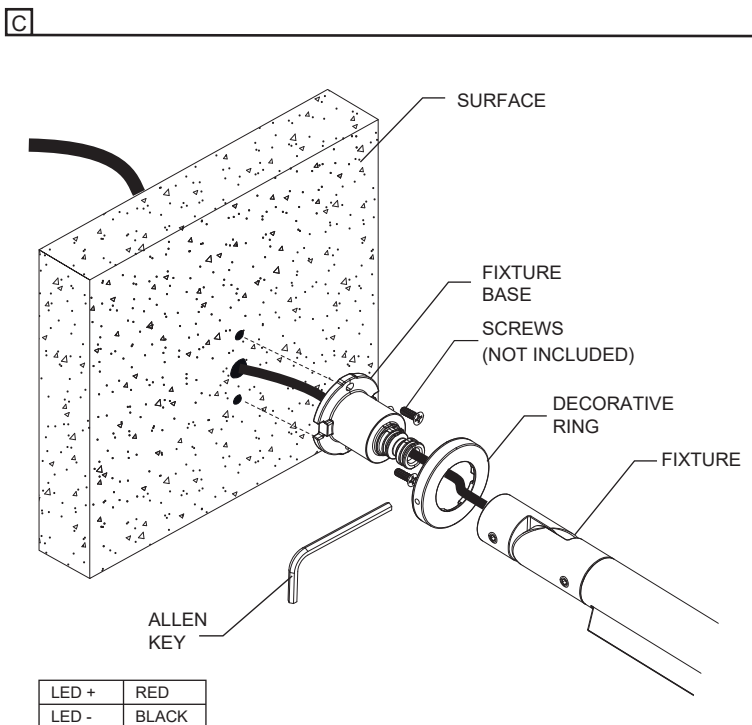
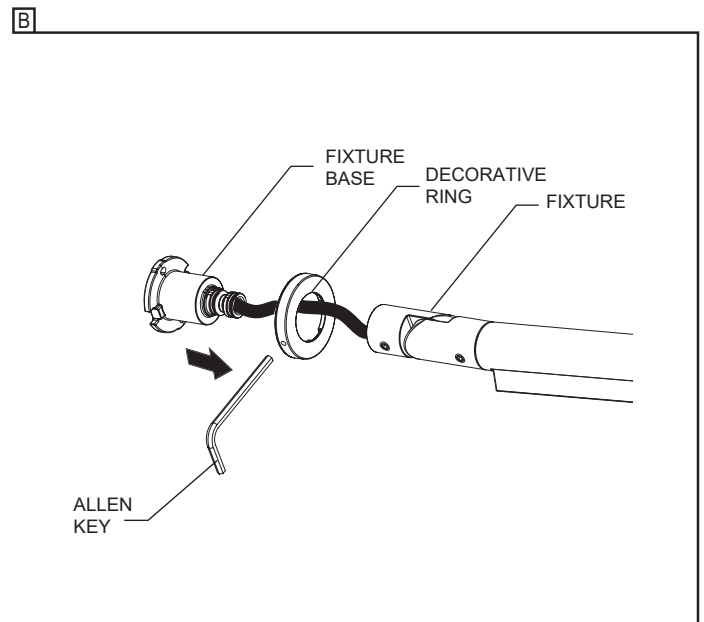
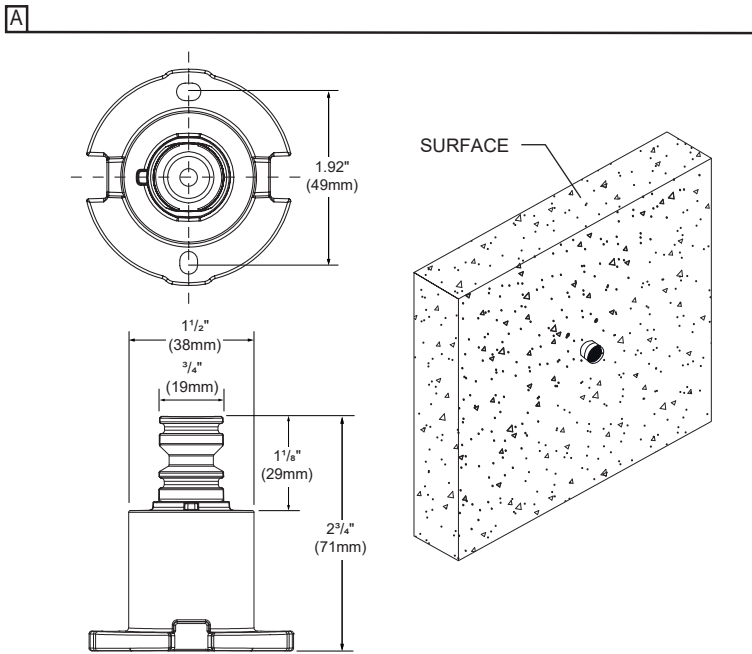


IMPORTANT - READ CAREFULLY BEFORE INSTALLING FIXTURE. RETAIN THESE INSTRUCTIONS FOR FUTURE REFERENCE. THIS PRODUCT MUST BE INSTALLED IN ACCORDANCE WITH THE NATIONAL ELECTRICAL CODE AND ALL APPLICABLE LOCAL CODES, BY A PERSON FAMILIAR WITH THE CONSTRUCTION AND OPERATION OF THE PRODUCT.

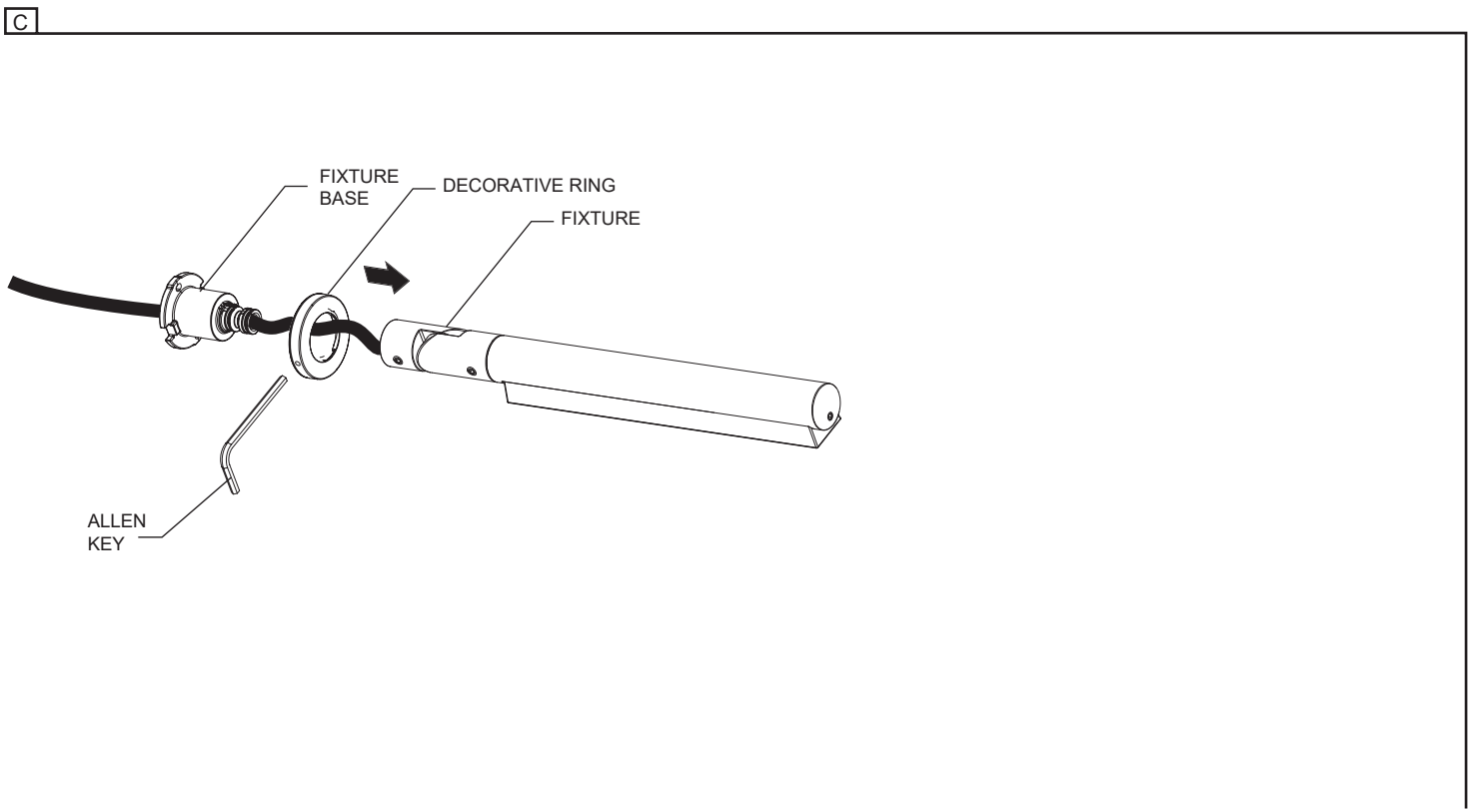
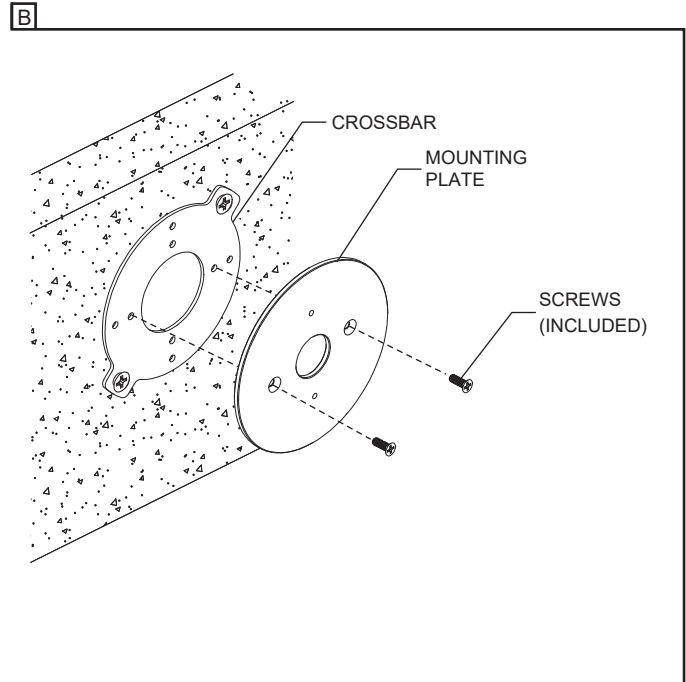
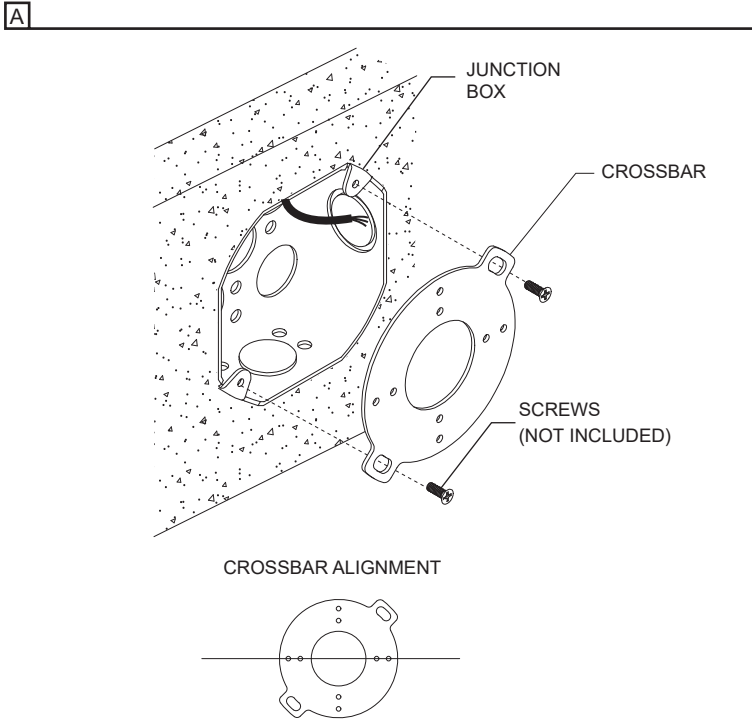
SURFACE INSTALLATION WITH FIXTURE WHIP (FW-REM)

- A- PREPARE INSTALLATION SURFACE (SEE DIMENSIONS BELOW).
- B- LOOSE THE DECORATIVE RING AND REMOVE THE BASE FROM THE FIXTURE USING ALLEN KEY.
- C- PASS THE CABLE THROUGH THE HOLE IN THE SURFACE. THE PRODUCT MUST BE CONNECTED TO A CLASS 2 POWER ONLY. SECURE THE BASE TO THE WALL USING THE APPROPRIATE SCREWS (2 X #8 NOT INCLUDED). SNAP THE FIXTURE BACK ON THE BASE AND LOCK IT INTO POSITION USING AN ALLEN KEY. PLACE THE DECORATIVE RING ON THE BASE AND FIX IT WITH THE 2 SET SCREWS.
- D - PUSH THE PIN FLUSH WITH A RUBBER Mallet.



4" JUNCTION BOX INSTALLATION WITH CLASS 2 POWER (JB-REM)

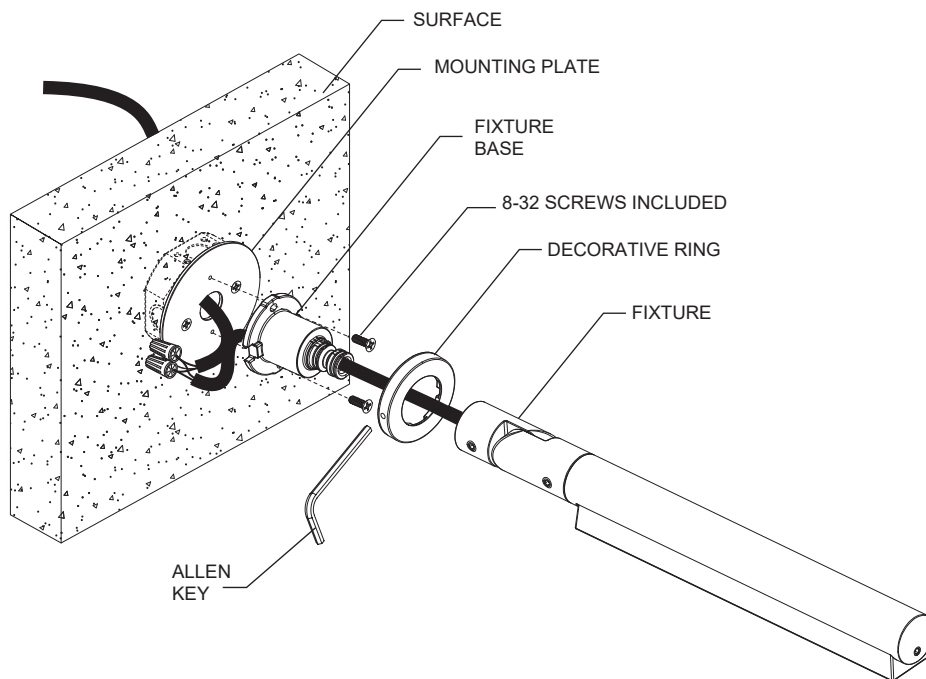
- A- FIX THE CROSSBAR TO THE JUNCTION BOX USING THE 2 #8-32 PHILLIPS SCREWS (**NOT INCLUDED**). MAKE SURE THE CROSSBAR IS PROPERLY ALIGNED.
- B- INSTALL THE MOUNTING PLATE ON THE CROSSBAR USING THE 2 PHILLIPS SCREWS (**INCLUDED**).
- C- UNCLIP THE BASE AND DECORATIVE RING FROM THE FIXTURE WITH AN ALLEN KEY. PASS THE CABLE THROUGH ALL THE PARTS OF THE FIXTURE.



4" JUNCTION BOX INSTALLATION WITH CLASS 2 POWER (JB-REM)

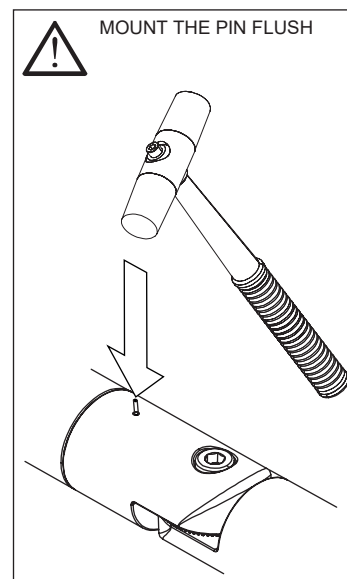
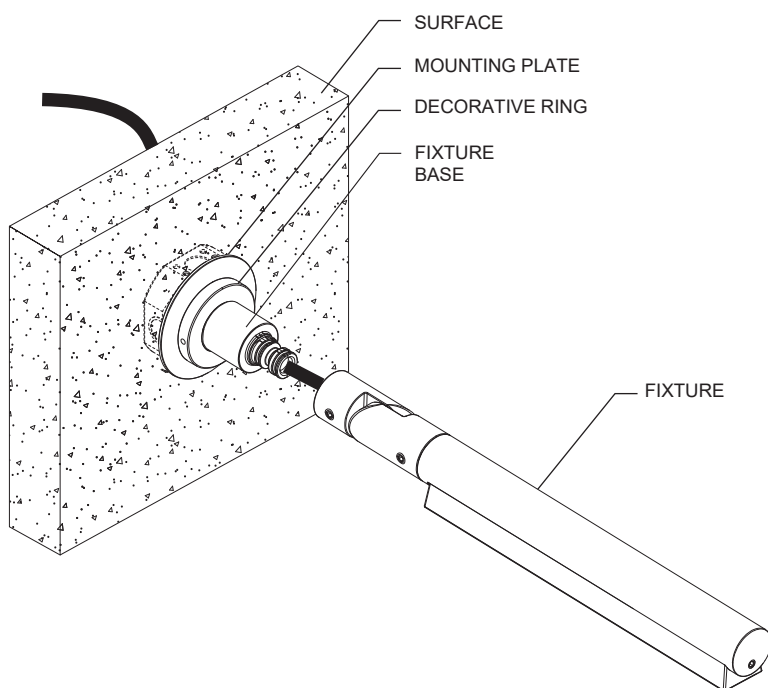
- D- MAKE WIRES CONNECTIONS (**FOLLOWING POLARITY MARKINGS**) USING WATERTIGHT TWIST CONNECTORS (**NOT INCLUDED**). ONCE CONNECTED, PUSH THE WIRES BACK INTO THE JUNCTION BOX.
- E- FASTEN THE BASE ON THE MOUNTING PLATE USING THE (2) PHILLIPS SCREWS (**INCLUDED**). SNAP THE FIXTURE BACK ON THE BASE AND LOCK IT INTO POSITION USING AN ALLEN KEY
- F- FIX THE DECORATIVE RING ON THE BASE WITH 2 SET SCREWS USING 2.5MM ALLEN KEY. PUSH THE PIN FLUSH WITH A RUBBER Mallet.
- G- USE ONLY WITH CLASS 2 POWER.

D + E



LED +	RED
LED -	BLACK

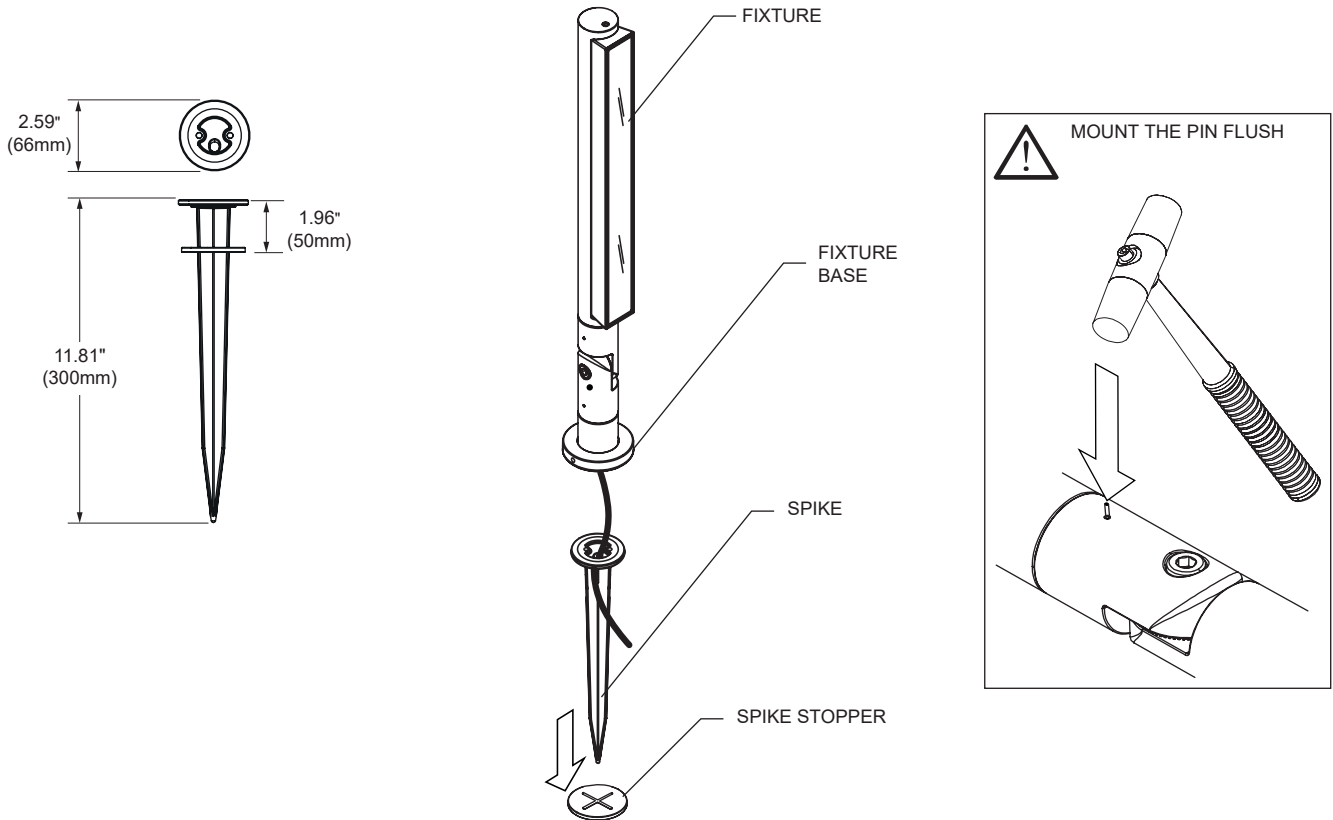
F + G



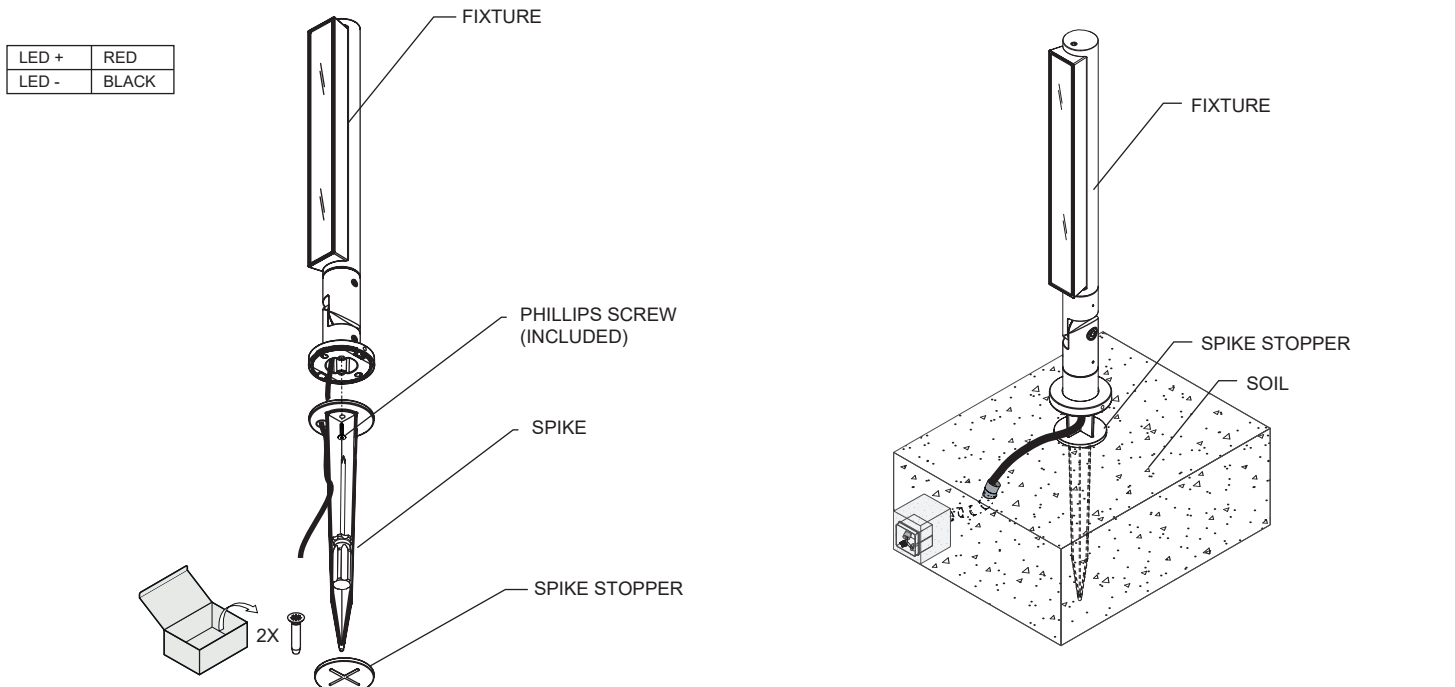
GROUND INSTALLATION WITH STAKE (S1768).

- A- PASS THE FEEDER CABLE THROUGH THE STAKE'S CABLE ENTRY HOLE. REMOVE THE SPIKE STOPPER.
- B- ALIGN THE STAKE'S FIXING HOLES UNDER THE FIXTURE BASE AND SCREW IT FROM BELOW USING (2) PHILLIPS SCREWS (INCLUDED).
- C- INSTALL THE SPIKE STOPPER. USE A RUBBER Mallet TO INSERT THE FIXTURE INTO THE SOIL. THE STOPPER SURFACE SHOULD BE RESTING ON THE SOIL. PUSH THE PIN FLUSH WITH A RUBBER Mallet.
- D- BRING THE CABLE TO THE JUNCTION BOX (**NOT INCLUDED**) USE ONLY WITH CLASS 2 POWER

A



B + C + D



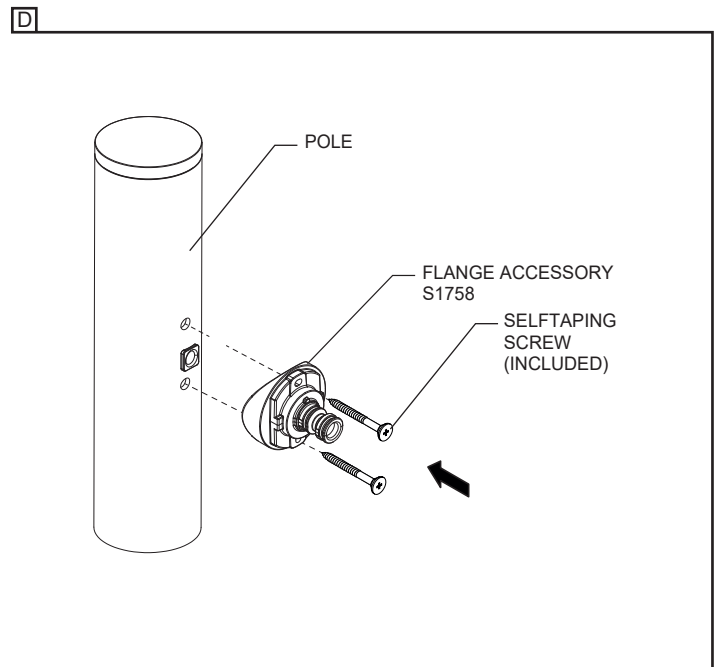
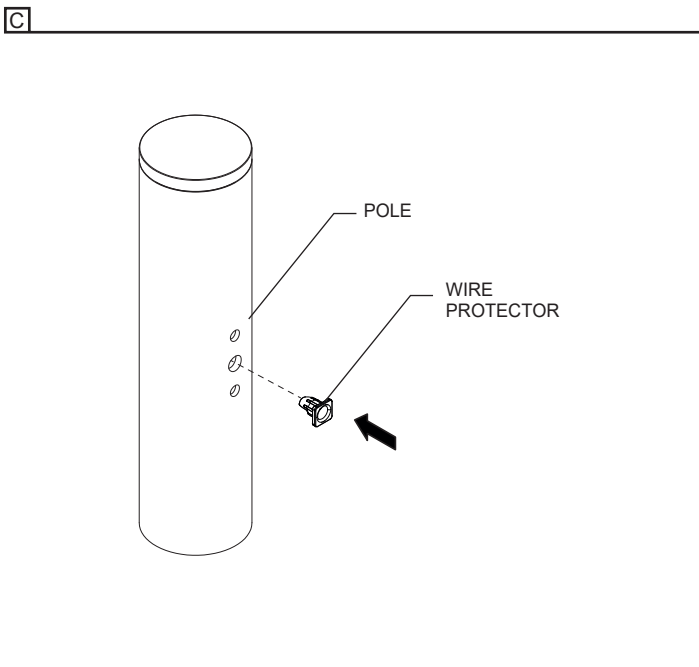
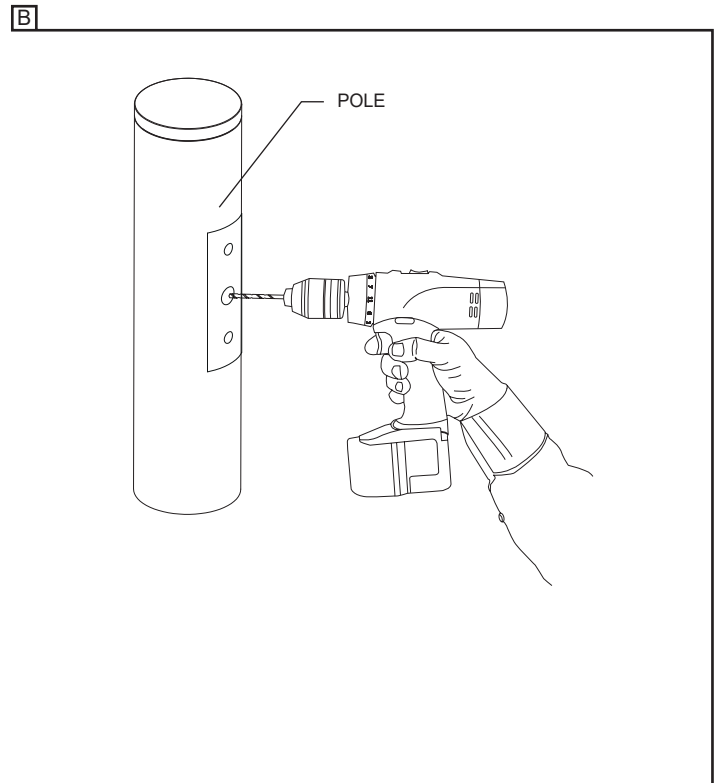
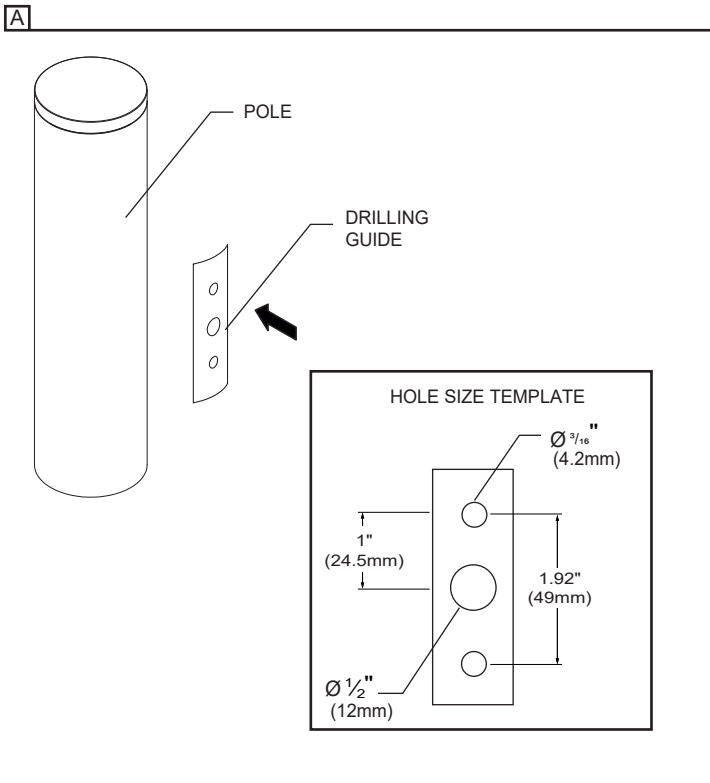
POLE INSTALLATION

A- ON POLE, PLACE THE DRILLING GUIDE.

B- PRE DRILL THE HOLES IN THE POLE AS PER TEMPLATE BELOW.

C- INSERT THE WIRE PROTECTOR INTO THE HOLE.

D- FASTEN THE FLANGE ACCESSORY (S1758 TO BE ORDERED SEPARATELY) ON THE POLE WITH THE SELFTAPING SCREW (INCLUDED).



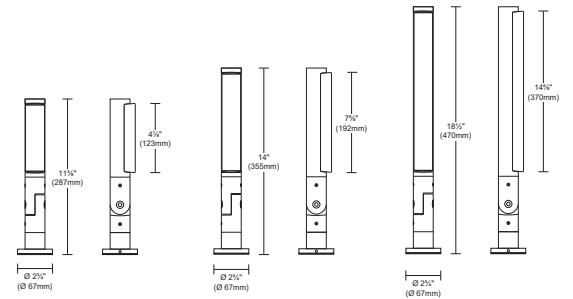
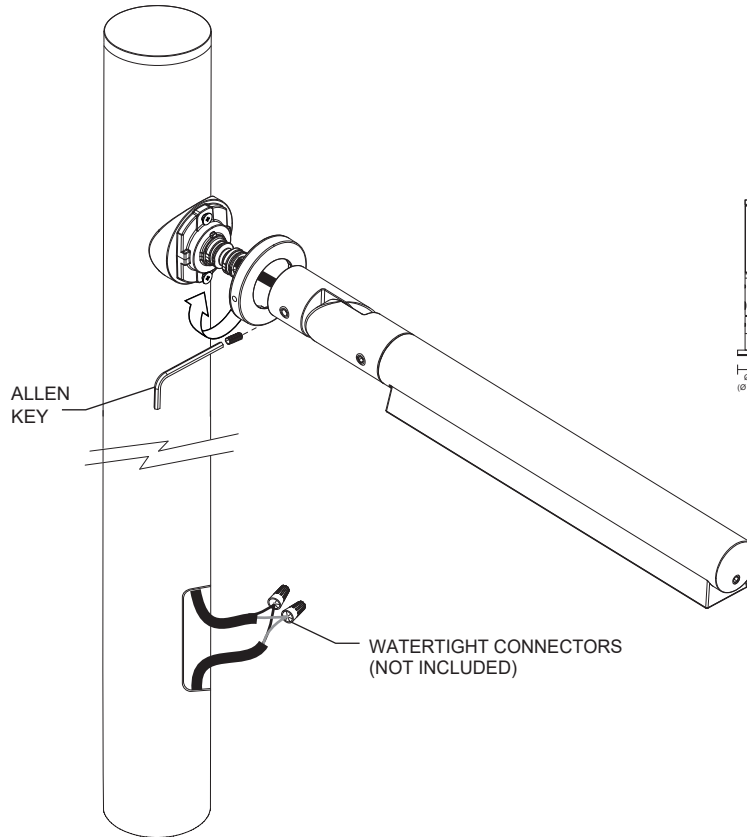
- E- PASS THE CABLE THROUGH THE HOLE AND MAKE ALL NECESSARY CONNECTIONS USING WATERTIGHT CONNECTORS. SNAP THE FIXTURE BACK ON THE BASE AND LOCK IT INTO POSITION USING AN ALLEN KEY.
- F- FIX THE DECORATIVE RING ON THE BASE WITH 2 SET SCREWS USING 2.5MM ALLEN KEY. PUSH THE PIN FLUSH WITH A RUBBER Mallet.
- G- USE ONLY WITH CLASS 2 POWER

E + F + G

POLE SPECIFICATIONS

Ø2½ (60 mm) or Ø3" (76mm)

MODELS	EPA
SMALL 4 LED	0.030ft ² (0,009 m ²)
MEDIUM 7 LED	0.039ft ² (0,012m ²)
LARGE 12 LED	0.52ft ² (0,016m ²)



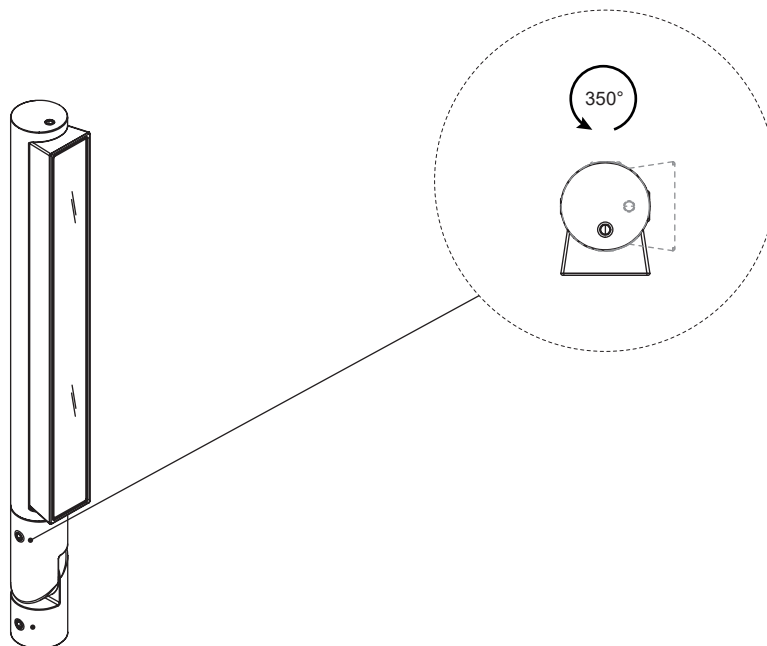
LED +	RED
LED -	BLACK

ADJUSTMENTS

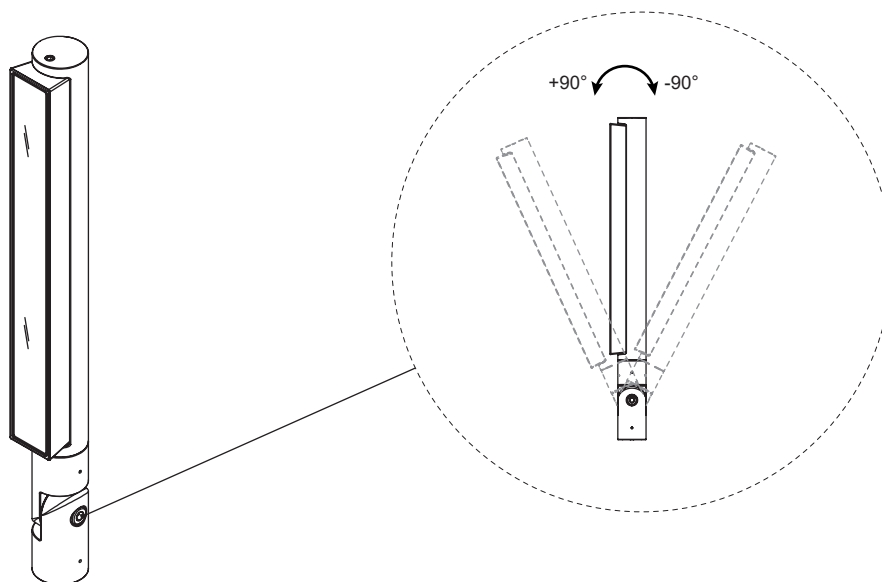
A- USE 4MM ALLEN KEY TO ADJUST THE LAMP TO A 350° VERTICAL ROTATION

B- USE 5MM ALLEN KEY TO ADJUST VERTICAL ANGLE -90° TO 90°

A



B



OPTICAL FILTERS INSTALLATION (TO ORDER SEPARATELY)

- A- USE A 4MM ALLEN KEY TO LOOSEN THE COVER
- B- REMOVE COVER FROM THE LAMP
- C- INSERT THE OPTICAL FILTER WITH THE SMOOTH SIDE TOWARDS THE GLASS
- D- PUSH COVER ON THE LAMP AND SCREW IT WITH ALLEN KEY.

