

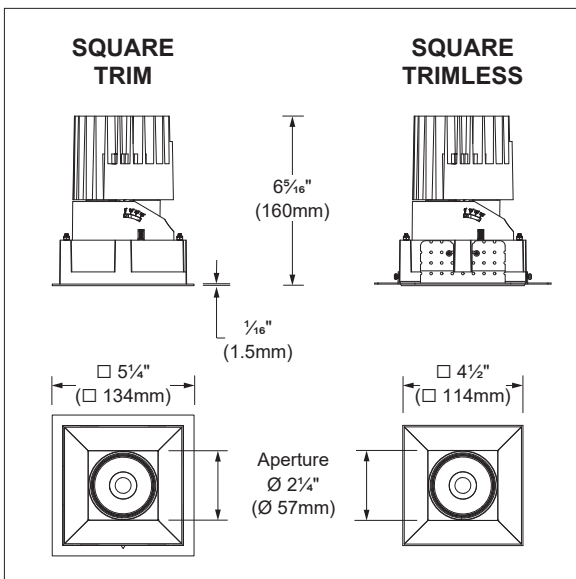
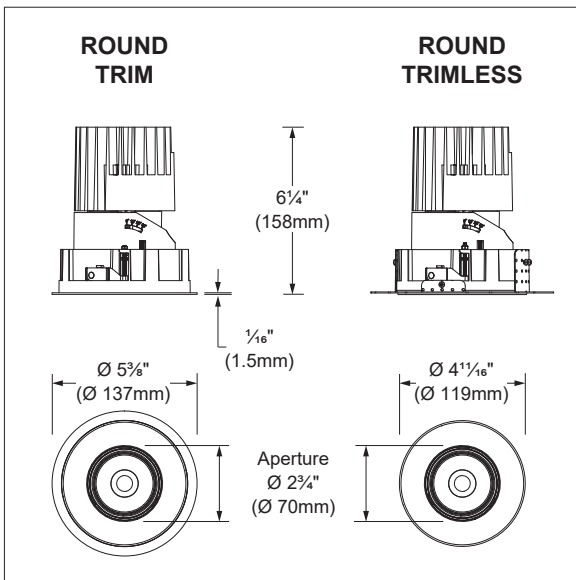
Collection of specification grade downlights for architectural applications. Excellent build quality with features for the most demanding professional applications. Available in five sizes 2", 3", 4", 5", 6" aperture with generous light outputs and excellent chromatic performance. Professional optics available with directional distribution.



OPTIC	BEAM ANGLE	SYSTEM POWER** (W)	OUTPUT (Nominal Luminous Flux)	LUMENS* (lm)	EFFICACY (lm/W)	MAX CANDELA* (cd)
Spot	20°	27	28 (2800 lm)	2 625	97	13 964
Narrow Flood	30°			2 876	107	9 530
Flood	40°			2 853	106	6 009
Wide Flood	50°			2 492	92	3 485
Fixed Wall Washer			17 (1700 lm)	1 729	64	1 332

\* Based on round (R) shape, trim (T) mounting and adjustable (A) optic at 3000K, 90CRI.  
For Fixed Wall Washer (FWW) optic, based on round (R) shape and trim (T) mounting at 3000K, 90CRI.  
\*\* System power corresponds to the maximum measured value considering the Power Factor.  
For Non-IC (RF and NC installations), the system power (W) may increase by up to an additional 3W. Accordingly, the efficacy may vary depending on the resulting system power.

<b>Source:</b>	COB LED module 2700K: 90CRI 3000K: 90CRI 3500K: 90CRI 4000K: 90CRI
<b>Lumen maintenance:</b>	90% of initial lumens at 50 000 hours (L90, LM-80)
<b>Optic:</b>	<i>Adjustable:</i> Deep recessed adjustable lens available with different optics. Optical assembly hot-aiming adjustment — 30° tilt and 355° pan. <i>Fixed:</i> Deep recessed lens available with different optics. <i>Fixed Wall Washer.</i>
<b>Material:</b>	<i>Body:</i> Die-cast aluminum optical assembly <i>Lens:</i> Optical-Grade PMMA <i>Baffle:</i> Painted polycarbonate
<b>Mounting:</b>	<i>Cut-out:</i> • Round - $\bigcirc \varnothing 5'' - \varnothing 5\frac{1}{8}''$ ( $\varnothing 127\text{mm} - \varnothing 130\text{mm}$ ) • Square - $\square 4\frac{3}{8}'' - \varnothing 5''$ ( $\square 124\text{mm} - \square 127\text{mm}$ ) Remodel New construction with plaster frame (See page 3 for details)
<b>Electrical:</b>	Integral high efficiency LED driver rated at 50 000 hours, 120V or 277V
<b>Dimming:</b>	Leading edge (TRIAC) and trailing edge (ELV) (120V only), down to 5%. 0-10V (120-277V), down to 1%. DALI (120-277V), down to 1%. Lutron Hi Lume® 1% EcoSystem™ (Soft-on, Fade to Black). Casambi (120-277V), down to 1%. Athena Wireless Node (120-277V), down to 1%.
<b>Finish:</b>	Powder coated body and baffle (See page 2 for details)
<b>Weight:</b>	3.8lbs (1.72kg)
<b>Warranty:</b>	5-year limited warranty
<b>Rating:</b>	IP20
<b>Certification:</b>	cULus listed for damp location. Interior use only.



**ORDERING INFO**



PRODUCT CODE					INSTALLATION CODE (SEE PAGE 3)				
MODEL	SHAPE	MOUNTING	INSTALLATION	OUTPUT**	LED	OPTIC	VOLTAGE	FINISH (trim finish / baffle finish)	DIMMING***
LOGP5 LOGO PRO 5	<b>R</b> Round	<b>T</b> Trim	<b>RF</b> Remodel	<b>17</b> <sup>2</sup> 1700 lm (27W*)	<b>927</b> 2700K, 90CRI	<b>ASP</b> Adjustable, Spot (20°)	<b>120</b> 120V	<b>White trim</b>	<b>RF, NC (INSTALLATION)</b>  <b>120V</b>  <b>LTE</b> Leading and Trailing edge dimming (down to 5%)  <b>D10</b> 0-10V (down to 1%)  <b>DA</b> <sup>1</sup> DALI (down to 1%)  <b>D2B</b> <sup>1 5</sup> Lutron Hi Lume® 1% EcoSystem™ (Soft-on, Fade to Black)  <b>277V</b>  <b>D10</b> 0-10V (down to 1%)  <b>DA</b> <sup>1</sup> DALI (down to 1%)  <b>D2B</b> <sup>1 5</sup> Lutron Hi Lume® 1% EcoSystem™ (Soft-on, Fade to Black)  <b>WIRELESS CONTROL</b>  <b>120V or 277V</b>  <b>CAS</b> <sup>6</sup> Casambi connectivity (down to 1%)  <b>AWN</b> <sup>7</sup> Athena wireless node connectivity (down to 1%)
	<b>S</b> Square	<b>L</b> Trimless Mud	<b>NC</b> New construction	<b>20</b> 2000 lm (19W*)	<b>930</b> 3000K, 90CRI	<b>ANF</b> Adjustable, Narrow Flood (30°)	<b>277</b> 277V	<b>Trimless</b>	
		<b>M</b> <sup>1</sup> Trimless Millwork		<b>22</b> 2200 lm (20W*)	<b>935</b> 3500K, 90CRI	<b>AFL</b> Adjustable, Flood (40°)		<b>01</b> <sup>4</sup> White / white	
				<b>24</b> 2400 lm (23W*)	<b>940</b> 4000K, 90CRI	<b>AWF</b> Adjustable, Wide Flood (50°)		<b>21</b> White / black	
			<b>26</b> 2600 lm (24W*)		<b>FSP</b> Fixed, Spot (25°)		<b>13</b> White / matte anodized	<b>01</b> <sup>4</sup> White	
			<b>28</b> 2800 lm (27W*)		<b>FNF</b> Fixed, Narrow Flood (30°)		<b>41</b> <sup>1</sup> White / gold	<b>02</b> Black	
					<b>FFL</b> Fixed, Flood (40°)		<b>E4</b> <sup>1</sup> White / chrome	<b>51</b> Matte anodized	
					<b>FWF</b> Fixed, Wide Flood (50°)		<b>E7</b> <sup>1</sup> White / black chrome	<b>43</b> <sup>1</sup> Gold	
					<b>FWW</b> <sup>3</sup> Fixed, Wall Washer		<b>E9</b> <sup>1</sup> White / gold matte	<b>04</b> <sup>1</sup> Chrome	
								<b>E6</b> <sup>1</sup> Black chrome	
								<b>E8</b> <sup>1</sup> Gold matte	
								<b>Black trim</b>	
								<b>23</b> Black / white	
								<b>02</b> Black / black	
								<b>33</b> Black / matte anodized	
								<b>42</b> <sup>1</sup> Black / gold	
								<b>F3</b> <sup>1</sup> Black / chrome	
								<b>F1</b> <sup>1</sup> Black / black chrome	
								<b>F4</b> <sup>1</sup> Black / gold matte	

**ACCESSORY**

(TO BE ORDERED SEPARATELY)

- 9002-02** - Honeycomb louver
- Available for adjustable (**ASP, ANF, AFL, AWF**) optics



<sup>(1)</sup> May require a longer lead time than standard. Please contact customer service for details.

<sup>(2)</sup> Fixed wall washer (**FWW**) optic is available only for 1700 lm Nominal Luminous Flux (**17**) Output.

<sup>(3)</sup> Available only for White trim with White baffle (**01**) or Matte anodized baffle (**13**) finish, Trimless with White baffle (**01**) or Matte anodized baffle (**51**) finish.

<sup>(4)</sup> For fixed wall washer (**FWW**) optic, it may require a longer lead time.

<sup>(5)</sup> Available only for 1700 lm (**17**) output with fixed wall washer (**FWW**) optic and for 2800 lm (**28**) output.

<sup>(6)</sup> Will be available soon. Please contact customer service for details.

<sup>(7)</sup> Will be available soon only for trim (T) mounting. Please contact customer service for details.

\* For Non-IC (**RF** and **NC** installations), the system power (**W**) may increase by up to an additional 3W.

\*\* Nominal Luminous Flux value at 3000K, 90CRI. Actual performance may vary depending on the installation conditions.

\*\*\* Dimming levels will vary depending on the dimmer used and the number of luminaires on the line.

**INSTALLATION**  
(TO BE ORDERED SEPARATELY)

**Remodel (RF)**

Versatile fixture for new or existing ceiling structure. Suitable for non-insulated ceiling like sheetrock or paneling. Fixture is ready for remodeling installation. Trimless frame kit can be shipped separately.

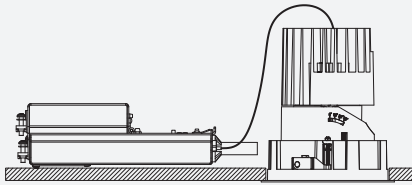
**Total weight:** 3.8lbs (1.72kg)

**Ceiling thickness**

- Trim (Round / Square): 1/16" - 1 3/16" (1 - 30mm)
- Trimless Mud (Round / Square): 1/16" - 1 3/8" (1 - 30mm)
- Trimless Millwork (Round / Square): 1/2" - 1" (12.5 - 25mm)

Model	Shape	Mounting	Trimless frame	Cut-out dimensions	Clearance (H)
LOGO PRO 5	Round	Trim		Ø5" (Ø127mm)	8 1/4" (210mm)
		Trimless Mud	TK-LOGP5RL-RF*	Ø5 1/8" (Ø130mm)	
		Trimless Millwork	TK-LOGP5RM-RF*	Ø5 1/8" (Ø130mm)	
	Square	Trim		□4 7/8" (□124mm)	
		Trimless Mud	TK-LOGP5SL-RF*	□5" (□127mm)	
		Trimless Millwork	TK-LOGP5SM-RF*	□4 7/8" (□124mm)	

\*Can be installed from below the ceiling.



**New construction with plaster frame (NC)**

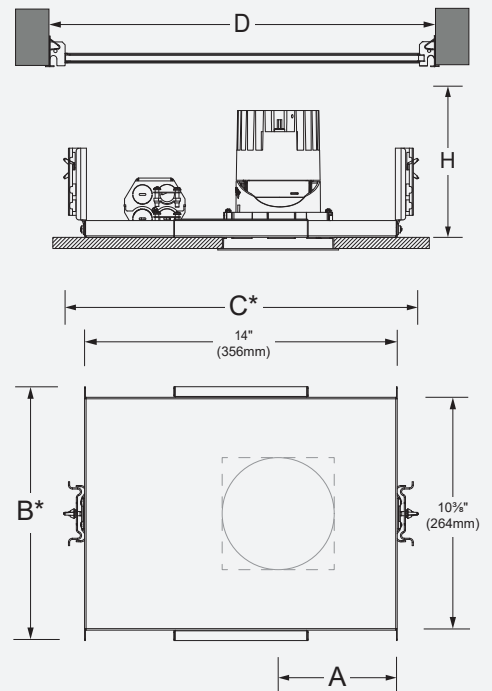
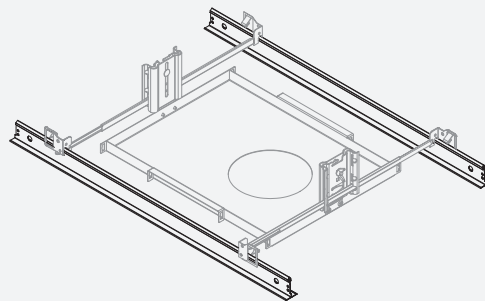
Plaster frame with hanger bars system to be installed during rough-in phase. Suitable for non-insulated new construction ceiling assemblies, like sheetrock, or paneling. Plaster frame and trim can be shipped separately.

**Total weight:** 5lbs (2.27kg)

**Ceiling thickness**

- Trim (Round / Square): 1/16" - 1 1/8" (1 - 29mm)
- Trimless Mud (Round / Square): 1/16" - 1 1/8" (1 - 29mm)
- Trimless Millwork (Round / Square): 1/2" - 5/8" (12.5 - 24mm)

Hanger bars suitable for Grid ceiling



Model	Shape	Mounting	Plaster frame	Cut-out dimensions	Cut-out position (A)	Max overall dimensions (B*xC*)	Hanger bars (D)	Clearance (H)
LOGO PRO 5	Round	Trim	BN-LOGP5RT-NC	Ø5" (Ø127mm)	5 1/8" (135mm)	11 5/16" x 15 13/16" (288 x 402mm)	14 1/4" to 26" (362 to 660mm)	8 1/4" (210mm)
		Trimless Mud	BN-LOGP5RL-NC	Ø5 1/8" (Ø130mm)				
		Trimless Millwork	BN-LOGP5RM-NC	Ø5 1/8" (Ø130mm)				
	Square	Trim	BN-LOGP5ST-NC	□4 7/8" (□124mm)				
		Trimless Mud	BN-LOGP5SL-NC	□5" (□127mm)				
		Trimless Millwork	BN-LOGP5SM-NC	□4 7/8" (□124mm)				

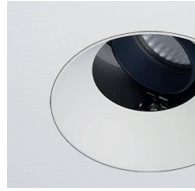
\*Provide a minimum of 1 1/8" (47mm) on each side for the hanger bar fixations

**MODEL**

**ROUND TRIM**



**ROUND TRIMLESS**



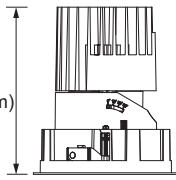
**SQUARE TRIM**



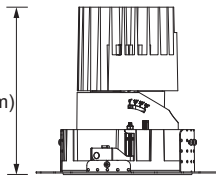
**SQUARE TRIMLESS**



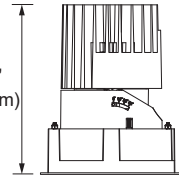
6 1/4"  
(158mm)



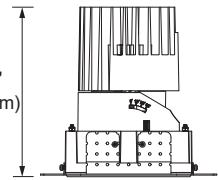
6 1/4"  
(158mm)



6 5/8"  
(160mm)



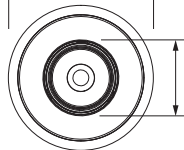
6 5/8"  
(160mm)



1/16"  
(1.5mm)

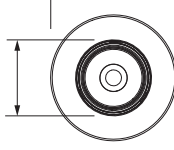
1/16"  
(1.5mm)

Ø 5 3/8"  
(Ø 137mm)

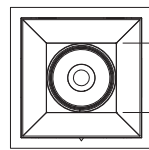


Aperture  
Ø 2 3/4"  
(Ø 70mm)

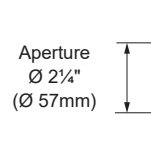
Ø 4 1/16"  
(Ø 119mm)



□ 5 1/4"  
(□ 134mm)

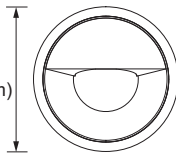


□ 4 1/2"  
(□ 114mm)

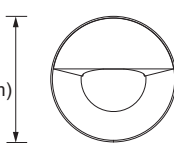


**Wall Washer**

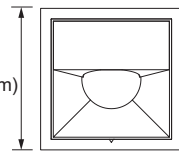
Ø 5 3/8"  
(Ø 137mm)



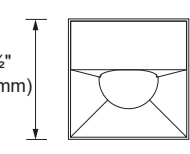
Ø 4 1/16"  
(Ø 119mm)



□ 5 1/4"  
(□ 134mm)

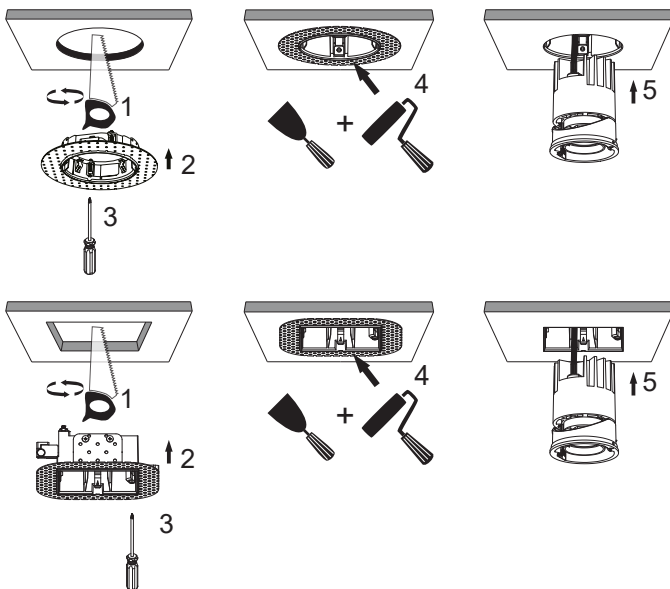


□ 4 1/2"  
(□ 114mm)



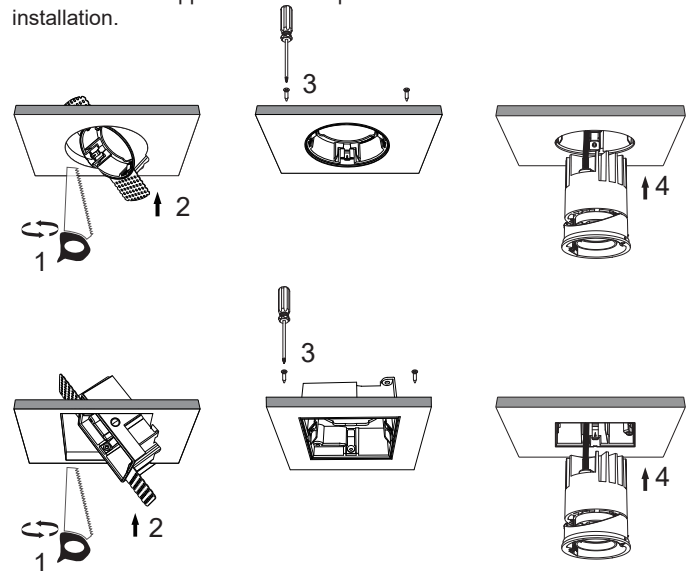
**TRIMLESS MUD FRAME KIT**

Trimless mud frame kit to be fastened to the gypsum board. The assembly is then finished by plastering, sanding and painting. Install the luminaire inside the opening once painting is completed. The kit is sold separately for retrofit installation or supplied with the plaster frame for new construction installation.



**TRIMLESS MILLWORK FRAME KIT**

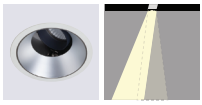
Trimless millwork frame kit to be fastened to the ceiling. Install the luminaire inside the opening once the trimless millwork frame kit installation is completed. The kit is sold separately for retrofit installation or supplied with the plaster frame for new construction installation.



**PHOTOMETRIC DATA <sup>1</sup>**

Visit [sistemalux.com](http://sistemalux.com) for complete photometric data.

**ADJUSTABLE**



CCT (K)	CRI	SYSTEM POWER* (W)	OUTPUT (Nominal Luminous Flux)	OPTIC	LUMENS <sup>2</sup> (lm)	EFFICACY (lm/w)	MAX CANDELA <sup>2</sup> (cd)	MODELS (Round, Adjustable)
3000	90	27	28 (2800 lm)	Spot (20°/25°)	2 625	97	13 964	LOGP5R-ASP
				Narrow Flood (30°)	2 876	107	9 530	LOGP5R-ANF
				Flood (40°)	2 853	106	6 009	LOGP5R-AFL
				Wide Flood (50°)	2 492	92	3 485	LOGP5R-AWF

Use multiplier table for other CCT and CRI output data. Efficacy based on IESNA LM-79 test reports. Visit [www.sistemalux.com](http://www.sistemalux.com) for complete photometric data.

\* System power corresponds to the maximum measured value considering the Power Factor. For Non-IC (**RF** and **NC** installations), the system power may increase by up to an additional 3W. Accordingly, the efficacy may vary depending on the resulting system power.

**FIXED WALL WASHER**



CCT (K)	CRI	SYSTEM POWER* (W)	OUTPUT (Nominal Luminous Flux)	OPTIC	LUMENS <sup>3</sup> (lm)	EFFICACY (lm/w)	MAX CANDELA <sup>3</sup> (cd)	MODELS (Round)
3000	90	27	17 (1700 lm)	Fixed Wall Washer	1 729	64	1 332	LOGP5R-FWW

Use multiplier table for other CCT and CRI output data. Efficacy based on IESNA LM-79 test reports. Visit [www.sistemalux.com](http://www.sistemalux.com) for complete photometric data.

\* System power corresponds to the maximum measured value considering the Power Factor. For Non-IC (**RF** and **NC** installations), the system power may increase by up to an additional 3W. Accordingly, the efficacy may vary depending on the resulting system power.

**\* USE MULTIPLIER TABLE FOR OTHER CCT OUTPUT DATA <sup>1</sup>**

CCT options	2700K	3000K	3500K	4000K
CRI options	90CRI	90CRI	90CRI	90CRI
<b>Multiplier</b>	<b>0.97</b>	<b>1</b>	<b>1.01</b>	<b>1.03</b>

**\* USE MULTIPLIER TABLE FOR OTHER LUMEN OUTPUT DATA <sup>1</sup>**

Target lumen <sup>4</sup>	2000 lm	2200 lm	2400 lm	2600 lm	2800 lm
<b>Multiplier</b>	<b>0.72</b>	<b>0.78</b>	<b>0.84</b>	<b>0.91</b>	<b>1</b>

**\* USE MULTIPLIER TABLE FOR FIXED LUMEN OUTPUT DATA <sup>1</sup>**

Target Optic	LOGP5R-FSP	LOGP5R-FNF	LOGP5R-FFL	LOGP5R-FWF
<b>Multiplier</b>	<b>0.89</b>	<b>0.89</b>	<b>0.89</b>	<b>0.92</b>

<sup>(1)</sup> Please contact customer service for details.

<sup>(2)</sup> Based on round (R) shape, trim (T) mounting and adjustable (A) optic.

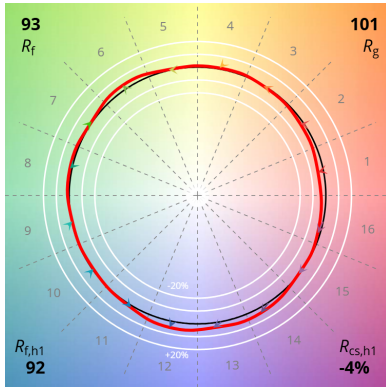
<sup>(3)</sup> Based on round (R) shape and trim (T) mounting.

<sup>(4)</sup> Approximate lumen value, the fixture is configured to deliver under nominal conditions based on selected drive current.

\* For the Square version, lumen output may differ from the Round version. Please refer to the IES files available on the website for detailed information.

**LED COLOR FIDELITY DATA**

**COLOR VECTOR GRAPH**



**LOCAL COLOR FIDELITY**

