



Wall mounted projector with a minimal design. Suitable for exterior applications.

**Luminaire characteristics:**

MODEL	POWER	OPTIC	LUMEN (lm)*	EFFICACY (lm/W)*	MAX CANDELA (cd)*
S1505W	4.7W	Narrow spot 9°	300	64	6 309

\*For 3000K, 90CRI

**Source:** LED module  
2700K: 90CRI  
3000K: 90CRI,  
4000K: 80CRI.

**Lumen maintenance:** 80% of initial lumens at 70 000 hours (L80 B10)  
Ta 77°F (25°C)  
80% of initial lumens at 50 000 hours (L80 B10)  
Ta 104°F (40°C) (LM-80)

**Optics:** Available in narrow spot. With rotation around 3 axis.

**Material:** Body: Die-cast aluminum.  
Diffuser: Clear tempered glass.  
Hardware: Silicone gasket and stainless steel screws.  
Mounting plate: Aluminum.

**Mounting:** Wall or ceiling mounted with 4" junction box or single gang switch box.  
Floor mounted with bracket (3' cable included).  
Ground mounted with bracket and/or stake (3' cable included).

**Electrical:** High efficacy dimmable LED driver, rated at 50 000 hours. 120/277V.  
See remote LED driver options on page 3.

**Dimming:** Down to 1%, 0-10V (120-277V);  
See remote LED driver options on page 3.


**Finish:** White or Aluminum gray.  
See page 2 for other premium finishes available (green,black,burnished bronze,anthracite gray)

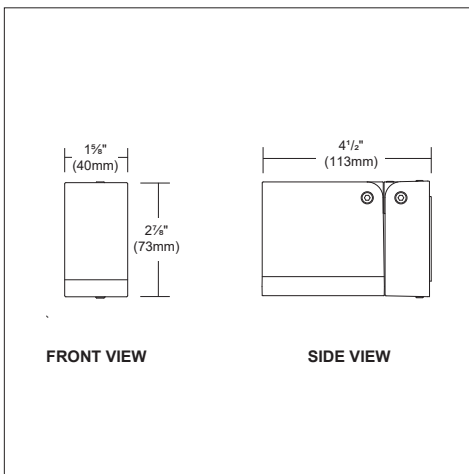


**Weight:** 2.4lb (1.1kg).

**Warranty:** 5 year limited warranty.

**Ratings:** IP65, IK07

**Certification:**  cULus listed for wet location



**ORDERING INFO**



PRODUCT CODE

MODEL	LED	MOUNTING	VOLTAGE	FINISH
<b>S1505</b> Microkeen	<b>H</b> 2700K,90CRI  <b>W</b> 3000K,90CRI  <b>N</b> 4000K,80CRI	<b>J2</b> Recessed mounted flush with surface  <b>JB</b> Surface mounted junction box  <b>FW</b> Fixture whip for floor or ground installation	<b>REM</b> Remote	<b>01</b> White <input type="checkbox"/> <b>14</b> Aluminum gray <input type="checkbox"/>  <i>PREMIUM</i> <b>07</b> Green <input type="checkbox"/> <b>09</b> Black <input type="checkbox"/> <b>20</b> Burnished bronze <input type="checkbox"/> <b>24</b> Anthracite gray <input type="checkbox"/>

**ACCESSORIES**

(TO BE ORDERED SEPARATELY)

Stake for ground installation with 3' cable.  
Must be used with S.1508 for ground installation (see below).  
\*Fixture whip (FW) mounting only



**S1014**

Bracket for vertical installation on floor with 3' cable.  
\*Fixture whip (FW) mounting only



**S1508-01** - White

**S1508-14** - Aluminum gray

**REMOTE LED DRIVER OPTIONS (TO BE ORDERED SEPARATELY)**

INDOOR RATED Driver box model	Max distance**	Min-max units
		Microkeen - S1505 4W*
4549-1200-030-UNV-ED10	72ft (22m)	1-7
4549-1200-050-UNV-ED10		1-12

OUTDOOR RATED Driver box model	Max distance**	Min-max units
		Microkeen - S1505 4W*
4450-1200-030-UNV-ED10	72ft (22m)	1-7
4450-1200-050-UNV-ED10		1-12

\*Wattage requirement for one (1) fixture.

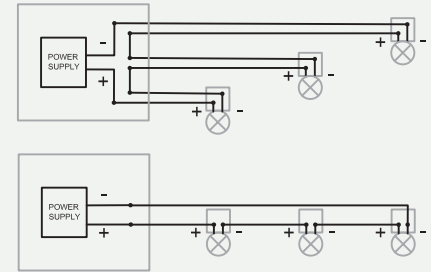
\*\*Max distance cable calculated for 18AWG cable. Contact customer service for longer remote distance.

**DRIVER BOX MODEL DESCRIPTION**

MODEL	CONSTANT CURRENT	WATTAGE	VOLTAGE	DIMMING PROTOCOL
<b>4450</b> 8" X 8" X 4" (203 X 203 X 102mm)	<b>1200</b> 1200mA	<b>030 to 050</b> 30W to 50W	<b>UNV</b> 120-277V	<b>ED10</b> 0-10V (down to 1%)
<b>4549</b> 14" X 5" X 3" (356 X 127 X 76mm)				

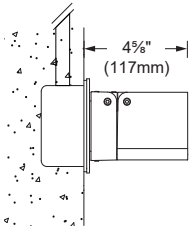
**WIRING DIAGRAM**

Multiple luminaires must be connected in serie

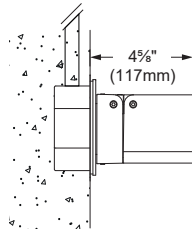


**MOUNTING OPTIONS**

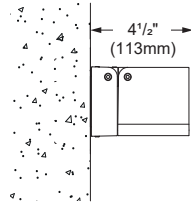
**MICROKEEN**  
S1505



**J2-REM** - 2" junction box with remote power supply. Mounting adapter plate for junction box installation. Min 1 1/2" (38mm) deep



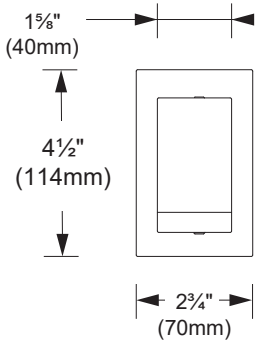
**JB-REM** - 4" junction box with remote power supply. Mounting adapter plate for junction box installation. Min 1 1/2" (38mm) deep.



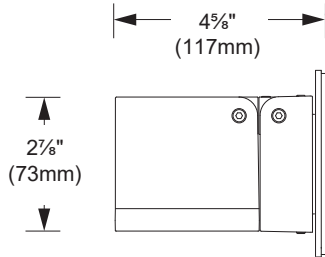
**JB-REM** - Direct feed with remote power supply. Connections are made inside fixture installation. (18AWG).

**DIMENSIONS**

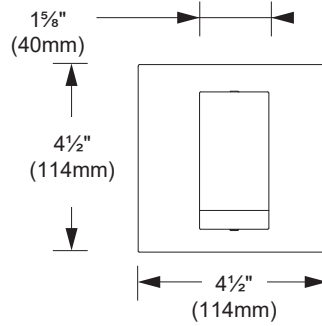
**MICROKEEN**  
S1505



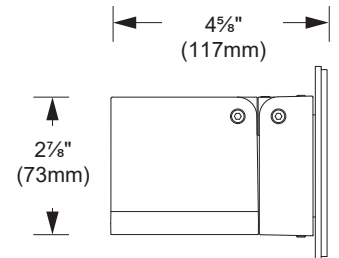
**FRONT VIEW**  
**J2-REM**



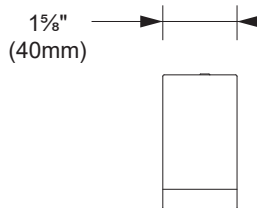
**SIDE VIEW**



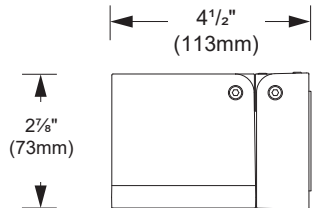
**FRONT VIEW**  
**JB-REM**



**SIDE VIEW**



**FRONT VIEW**  
**FW-REM**



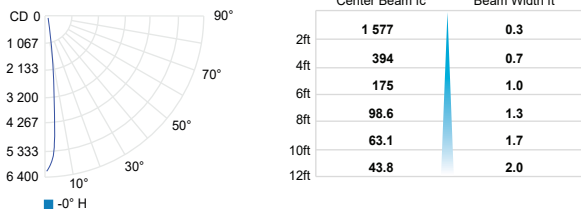
**SIDE VIEW**

**PHOTOMETRIC DATA**

Visit [sistimalux.com](http://sistimalux.com) for complete photometric data.

CCT (K)	CRI	POWER* (W)	OPTIC	LUMENS (lm)	EFFICACY (lm / W)	MAX CANDELA (cd)	B.U.G	MODELS
3000K	90	4.7W	Narrow spot 9°	300	64	6 309	B1-U0-G0	S1505W

Narrow spot 9° (3000K, 90 CRI)



CCT options	2700K	3000K	4000K
CRI options	90CRI	90CRI	80CRI
<b>Multiplier</b>	<b>0.95</b>	<b>1</b>	<b>1.08</b>