

Collection of wall mounted luminaires for exterior applications. Lift has an innovative optical system that produces pleasing graphic effects. By using a combination of flood or narrow spot beams, this luminaire offers limitless possibility of lighting effects.

Luminaire characteristics:	Power input system: 5.5W Lumens system for 3000K, 80CRI: 40lm to 76ml Luminaire efficacy for 3000K, 80CRI: Up to 14lm/W
Source:	LED module (LM-80 tested) 2700K: 80CRI, 3000K: 80CRI, 4000K: 80CRI.
Lumen maintenance:	80% of initial lumens at 70 000 hours (L80 B10) Ta 77° (25°) 80% of initial lumens at 50 000 hours (L80 B10) Ta 104° (40°)
Optics:	Narrow spot or flood.
Material:	Body: Die-cast aluminum Diffuser: Clear tempered glass. Methacrylate concentrating lens combined with a narrow beam shutter is used to achieve a blade of light effect. Hardware: Stainless steel screws and silicone gaskets
Electrical:	Universal high efficiency electronic LED driver rated at 50 000 hours, 120-277V.
Dimming:	0-10V (120-277V), down to 15%.
Mounting:	Install on a standard 4" octagonal junction box.
Finish:	Aluminum gray, black
Weight:	3.5lb (1.6kg).
Warranty:	5 year limited warranty.
Ratings:	IP65, IK06
Certification:	cULus listed for wet location



ORDERING INFO

- UNV -

FIXTURE



MODEL

- S5027** - 2 x Flood 43° **S5037** - Combined beam **S5047** - 2 x Narrow spot 4°

LED

- H** - 2700K, 80CRI **W** - 3000K, 80CRI **N** - 4000K, 80CRI

VOLTAGE

- UNV** - 120-277V

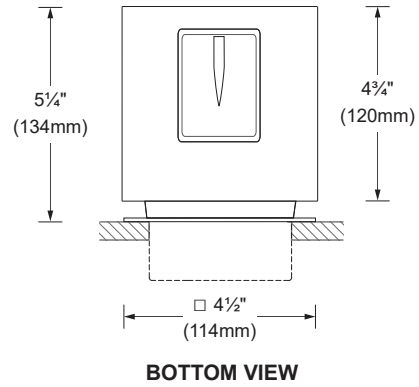
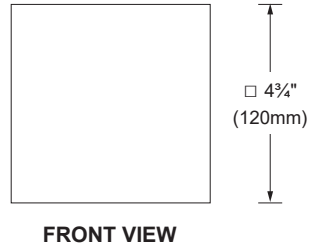
FINISH

- 09** - Black **14** - Aluminum gray

DIMMING

- D10** - 0-10V

DIMENSIONS

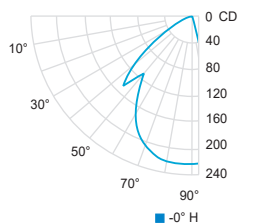


PHOTOMETRIC DATA

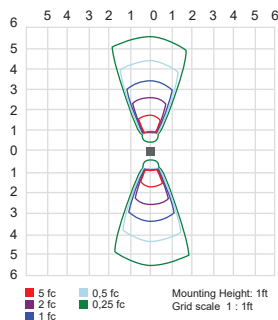
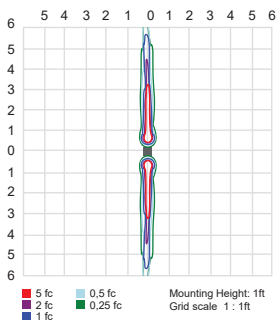
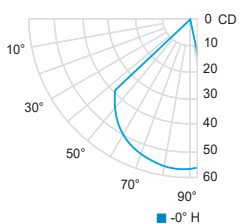
Visit sistemalux.com for complete photometric data

CCT (K)	CRI	LOAD (W)	OPTIC	LUMENS (lm)	EFFICACY (lm / w)	MAX CANDELA (cd)	MODELS
3000K	80	5.5W	2 x Flood 43°	76	14	56	S5027W
			Combined beam	58	11	56(4°) - 236(43°)	S5037W
			2 x Narrow spot 4°	20	7	236	S5047W

2 x Narrow spot 4° 3000K 80CRI



2 X Flood 43° 3000K 80CRI



CCT options	2700K	3000K	4000K
CRI options	80CRI	80CRI	80CRI
Multiplier	0.94	1	1.02