

Collection of wall mounted luminaires for exterior applications. Exceptional European build quality with high corrosion resistant finish. Robust marine grade die-cast aluminum construction with stainless steel fasteners and factory and glass diffuser.

Luminaire characteristics:	Power input: 14W (per lamp) Lumens: 1105 to 1190lm (per lamp for 3000K,90CRI) Luminaire efficacy: Up 85lm/W
Source:	White LED module (LM-80) 2700K : 90CRI 3000K : 90CRI 3500K : 90CRI
Lumen maintenance:	90% of initial lumens at 100 000 hours (L90) (LM-79).
Optics:	Narrow Flood and flood, adjustable $\pm 15^\circ$, up and/or down.
Material:	Body: Die-cast aluminum Reflector: 99.98% pure anodized aluminum Diffuser: Clear tempered glass Mounting plate: Machined aluminum Hardware: Stainless steel screws
Mounting:	Luminaire can be installed as up and/or downlight. Installs on a standard 4" octagonal junction box.
Electrical:	Integral high efficiency electronic driver, rated at 50 000 hours, 120-277V.
Dimming:	Down to 15%, 0-10V (120-277V) or leading (TRIAC) and trailing edge (ELV) (120V only).
Finish:	Aluminum or anthracite gray (RAL7022) painted finish, following a double powder paint in 3 step process: surface treatment containing ceramic nano particles (Bonderite). Epoxy primer paint. Polyester powder paint with high resistance against UV rays and harsh weather conditions.
Weight:	7 / 10.4lb (3.2 / 4.7kg)
Warranty:	5 year limited warranty.
Ratings:	IP65, IK08
Certification:	cULus listed for wet location.



ORDERING INFO

- - - - -

FIXTURE

MODEL

- S3950** - Down **S3952** - Up & Down

LED

- 927** - 2700K, 90 CRI **930** - 3000K, 90 CRI **935** - 3500K, 90 CRI

OPTIC

- NF** - Narrow flood 25° **FL** - Flood 45°

VOLTAGE

- 120** - 120V **UNV** - 120-277V

FINISH

- 14** - Aluminum gray **24** - Anthracite gray

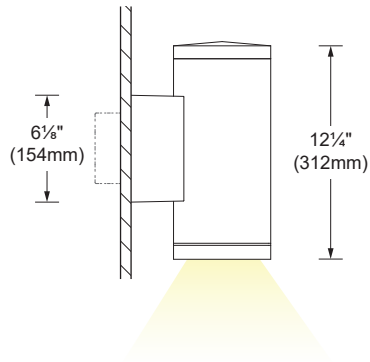
DIMMING*

- D10** - 0-10V **LTE** - Leading and trailing edge dimming (120V only)

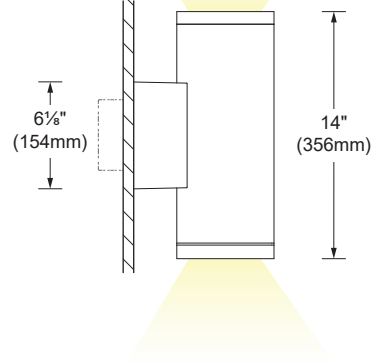
*15% dimming options: For leading and trailing edge and 0-10V (**LTE** and **D10**), the dimming levels will vary depending on the dimmer used and the number of luminaires on the line.

DIMENSIONS

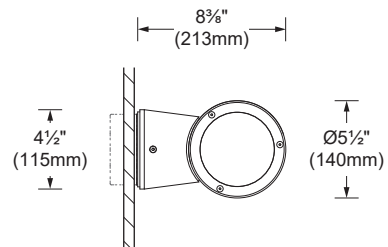
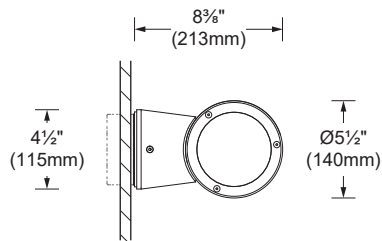
S3950



S3952



SIDE VIEW



BOTTOM VIEW

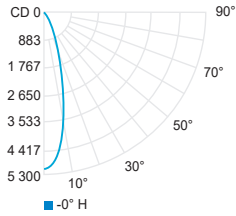
PHOTOMETRIC DATA

Visit sistemalux.com for complete photometric data.

CCT (K)	CRI	LOAD (W)	OPTIC	LUMENS (lm)	EFFICACY (lm/w)	MAX CANDELA (cd)	MODELS
3000K	90	14W	Narrow flood 25°	1 190	85	5 250	S3950-930-NF
			Flood 45°	1 105	78	2 670	S3950-930-FL

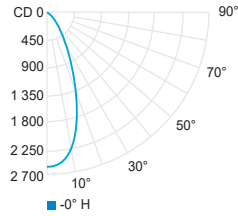
***USE MULTIPLIER TABLE FOR OTHER CCT AND CRI OUTPUT DATA**

Narrow flood 25° (3000K, 90CRI)



Center beam fc	Beam width ft
2ft	840
4ft	210
6ft	93.4
8ft	52.5
10ft	33.6
12ft	23.3

Flood 45° (3000K, 90CRI)



Center beam fc	Beam width ft
2ft	428
4ft	107
6ft	47.5
8ft	26.7
10ft	17.1
12ft	11.9

CCT options	2700K	3000K	3500K
CRI options	90CRI	90CRI	90CRI
Multiplier	0.97	1	1.03