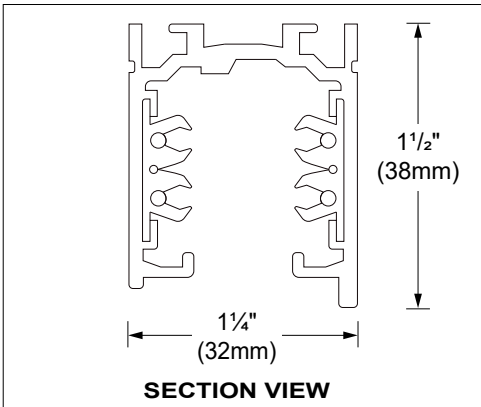
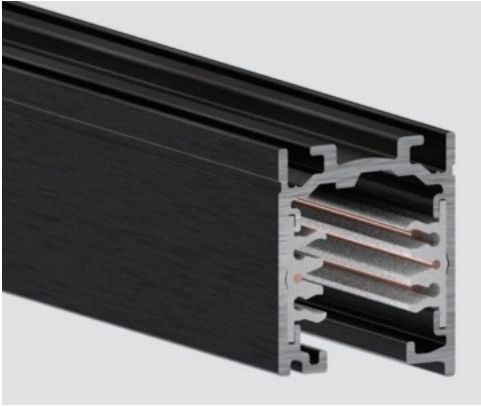


2 CIRCUIT TRACK WITH DATA

120V OR 277V

Type:

Project :



General information

Mounting:	Surface mount or suspended
Body:	Extruded aluminum professional track
Electrical:	120V or 277V with 2 circuits. 20A max per circuit. 2 hot, 2 neutral, 1A max for data. 7 Conductors (2 per circuit, 2 for data, 1 for ground)
Dimming:	Compatible with 0-10V or DALI control.
Finish:	White, black or gray painted finish.
Warranty:	1 year limited warranty.
Certification:	cULus listed for dry location.

ELECTRICAL COMPONENTS
(TO BE ORDERED SEPARATELY)



VOLTAGE 120 - 120V 277 - 277V

FINISH 01 - White 02 - Black 10 - Gray

0375 - Live end feed - Left



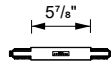
0376 - Live end feed - Right



0377 - Coupler



0378 - Live Middle Feed



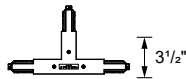
0379 - Feedable L-Connector - Inside polarity



0379-A - Feedable L-Connector - Outside polarity



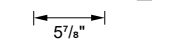
0380 - Feedable T-Connector - Outside left polarity



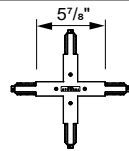
0380-A - Feedable T-Connector - Outside right polarity

0381 - Feedable T-Connector - Inside left polarity

0381-A - Feedable T-Connector - Inside right polarity



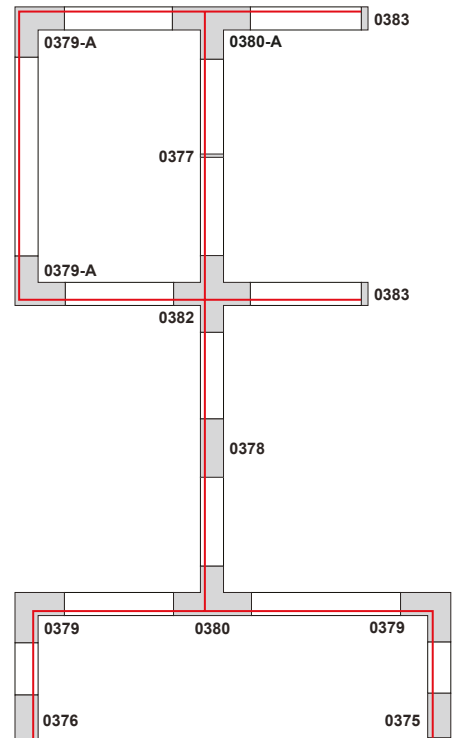
0382 - Feedable X-Connector



0383 - End cap



Track configuration example



The track is polarized and is manufactured with identifying ridge (red line on this example). Different connector models must be ordered to make sure the polarization is respected throughout the complete track configuration.

SURFACE MOUNTING
(TO BE ORDERED SEPARATELY)



TRACK MOUNTING CLIP

- 0384** - For 15/16" T-BAR
(Recommended for Tegular edge tile)
- 01** - White
- 02** - Black



-
- 0385** - For dry wall or threaded rod 1/4"-20
(Rod supplied by others)
 - 01** - White
 - 02** - Black
 - 10** - Gray



ACCESSORIES
(TO BE ORDERED SEPARATELY)

- 0389** - Cutting tool



-
- 0386** - Cover strip 4ft
 - 01** - White
 - 02** - Black



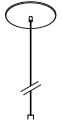
SUSPENSION MOUNTING
(TO BE ORDERED SEPARATELY)

PAINTED FINISH

- 01** - White⁽¹⁾
- 02** - Black⁽¹⁾
- 10** - Gray⁽¹⁾

CANOPY AND STEM KIT

- 0390-12** - 12" stem
- 0390-18** - 18" stem
- 0390-24** - 24" stem
- 0390-48** - 48" stem



Includes Ø4.5" canopy stem and track mounting clip

STEM KIT

- 0391-12** - 12" stem
- 0391-18** - 18" stem
- 0391-24** - 24" stem
- 0391-48** - 48" stem



Includes GWB anchor, stem and track mounting clip

AIRCRAFT CABLE KIT

- 0392** - Anchor kit

Includes GWB anchor, 5'-5" aircraft cable and 6" stem with track mounting clip



CANOPY KIT

- 0394** - Canopy kit

Includes Ø4.5" canopy, universal cross bar and flat screws.



⁽¹⁾ Canopy or anchor will match the kit color.

ORDERING INFO

- -
TRACK



MODEL

- 0366** - 4ft long track
- 0367** - 8ft long track
- 0368** - 12ft long track⁽¹⁾

VOLTAGE

- 120** - 120V
- 277** - 277V

FINISH

- 01** - White
- 02** - Black
- 10** - Gray

⁽¹⁾ 12' model (0368) supplied in two:8'+4'