


Collection of wall recessed luminaires for exterior applications. Designed for low mounting heights with downward asymmetric light distribution. Low luminance with the light source recessed inside the luminaire and shielded from all viewing angles. Exceptional European build quality with high corrosion resistant finish. Robust marine grade die-cast aluminum construction with stainless steel fasteners and factory sealed micro-prismatic glass diffuser.

Luminaire characteristics:

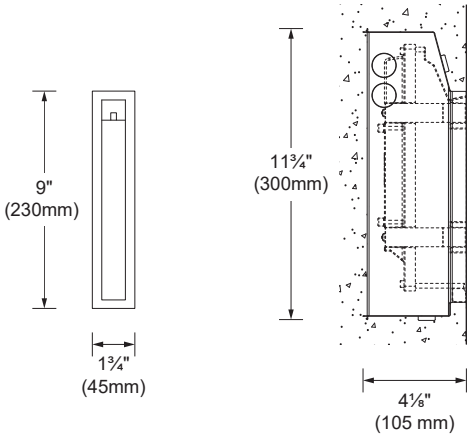
Power input: 3W to 34.5W
Lumens: 18lm to 755lm (for 3000K, 90CRI)
Luminaire efficacy: Up to 26lm/W

| | |
|---------------------------|---|
| Source: | LED module (LM-80) 3000K : 90CRI, 4000K : 90CRI. |
| Lumen maintenance: | >70% of initial lumens at 50 000 hours (L70) (LM-80). |
| Optics: | Accent light. |
| Material: | Body: Die-cast aluminum Reflector: 99.98% pure anodized aluminum. Diffuser: 4mm thick acid etched tempered glass. Hardware: Stainless steel screws and silicone gaskets. |
| Mounting: | Recessed wall installation using recessed box accessory. |
| Electrical: | Integral high efficiency LED driver, rated at 50 000 hours, 120-277V. |
| Dimming: | 0-10V dimming (120-277V) down to 10%. |
| Finish: | Aluminum gray |
| Weight: | 1.5 to 6.8lbs (0.7 to 3.1kg) |
| Warranty: | 5 year limited warranty. |
| Ratings: | IP65, IK06 |
| Certification: |  cULus listed for wet location. |

DIMENSIONS

Micro Blinker (S6060)

Installation in concrete using back box: S6063

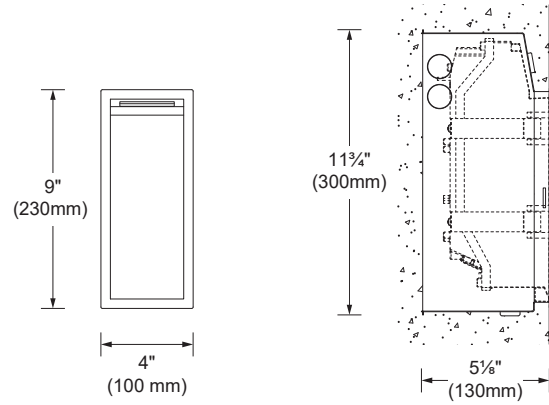


FRONT VIEW

SECTION VIEW

Mini Blinker (S6070)

Installation in concrete using back box: S6073

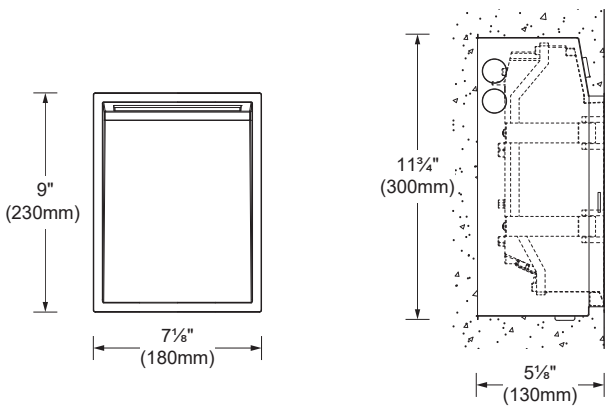


FRONT VIEW

SECTION VIEW

Blinker (S6080)

Installation in concrete using back box: S6083

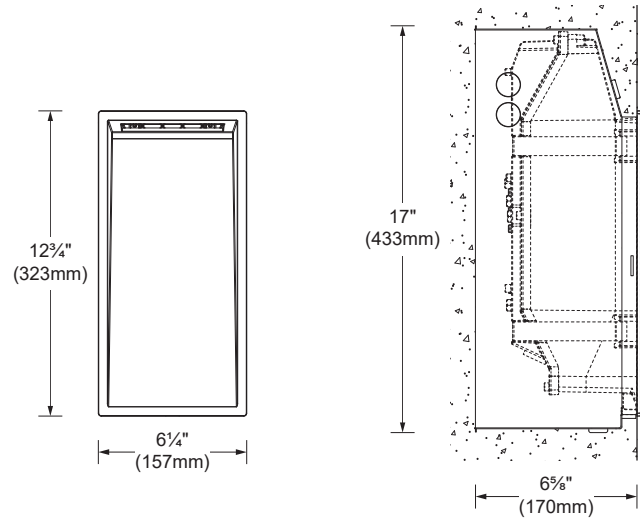


FRONT VIEW

SECTION VIEW

Mega Blinker (S6020)

Installation in concrete using back box: S6023



FRONT VIEW

SECTION VIEW

PHOTOMETRIC DATA

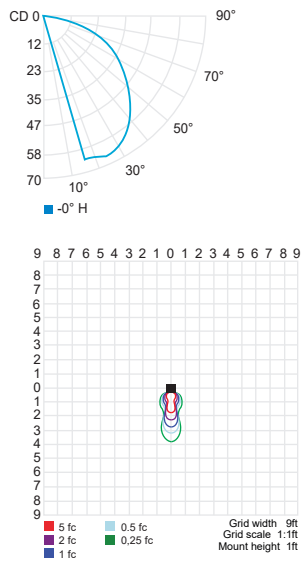
Visit sistimalux.com for complete photometric data.

Micro Blinker

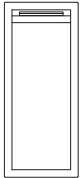


| CCT (K) | CRI | LOAD (W) | OPTIC | LUMENS (lm) | EFFICACY (lm / W) | MAX CANDELA (cd) | MODELS |
|---------|-----|----------|--------------|-------------|-------------------|------------------|--------|
| 3000K | 90 | 3W | Accent light | 18 | 6 | 69 | S6060W |
| 4000K | | | | 19 | 6 | 73 | S6060N |

Accent light (3000K, 90CRI)

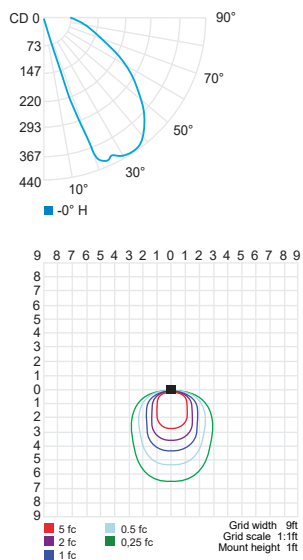


Mini Blinker



| CCT (K) | CRI | LOAD (W) | OPTIC | LUMENS (lm) | EFFICACY (lm / W) | MAX CANDELA (cd) | MODELS |
|---------|-----|----------|--------------|-------------|-------------------|------------------|--------|
| 3000K | 90 | 17W | Accent light | 280 | 16 | 435 | S6070W |
| 4000K | | | | 310 | 18 | 480 | S6070N |

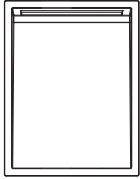
Accent light (3000K, 90CRI)



PHOTOMETRIC DATA

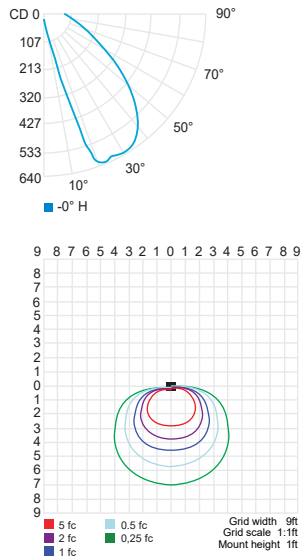
Visit sistemalux.com for complete photometric data.

Blinker

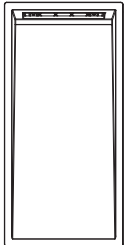


| CCT (K) | CRI | LOAD (W) | OPTIC | LUMENS (lm) | EFFICACY (lm / W) | MAX CANDELA (cd) | MODELS |
|---------|-----|----------|--------------|-------------|-------------------|------------------|--------|
| 3000K | 90 | 23W | Accent light | 565 | 25 | 630 | S6080W |
| 4000K | | | | 595 | 26 | 660 | S6080N |

Accent light (3000K, 90CRI)

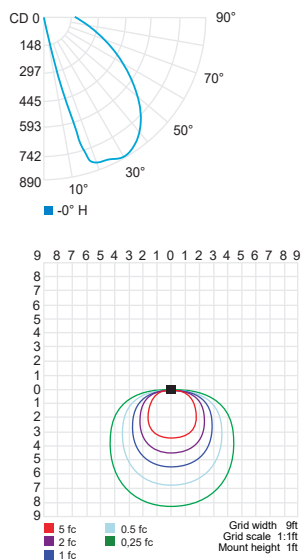


Mega Blinker



| CCT (K) | CRI | LOAD (W) | OPTIC | LUMENS (lm) | EFFICACY (lm / W) | MAX CANDELA (cd) | MODELS |
|---------|-----|----------|--------------|-------------|-------------------|------------------|--------|
| 3000K | 90 | 34.5W | Accent light | 755 | 21 | 880 | S6020W |
| 4000K | | | | 825 | 24 | 960 | S6020N |

Accent light (3000K, 90CRI)

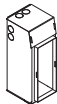


MOUNTING ACCESSORIES
(TO BE ORDERED SEPARATELY)

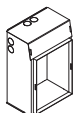
S6063 - Back box for Micro Blinker (S6060)
2¾" x 11¼" x 4½"
(70mm x 300mm x 105mm)



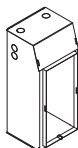
S6073 - Back box for Mini Blinker (S6070)
4¼" x 11¼" x 5½"
(110mm x 300mm x 130mm)



S6083 - Back box for Blinker (S6080)
7½" x 11¼" x 5½"
(190mm x 300mm x 130mm)



S6023 - Back box for Mega Blinker (S6020)
7¼" x 17" x 6⅝"
(187mm x 433mm x 170mm)



ORDERING INFO

- UNV - 14 - D10
FIXTURE

RECESSED BOX



MODEL

| Micro Blinker | Mini Blinker | Blinker | Mega Blinker |
|---|---|---|---|
| <input type="checkbox"/> S6060W - 3000K, 90CRI | <input type="checkbox"/> S6070W - 3000K, 90CRI | <input type="checkbox"/> S6080W - 3000K, 90CRI | <input type="checkbox"/> S6020W - 3000K, 90CRI |
| <input type="checkbox"/> S6060N - 4000K, 90CRI | <input type="checkbox"/> S6070N - 4000K, 90CRI | <input type="checkbox"/> S6080N - 4000K, 90CRI | <input type="checkbox"/> S6020N - 4000K, 90CRI |

VOLTAGE

UNV - 120-277V

FINISH

14 - Aluminum gray

DIMMING

D10 - 0-10V