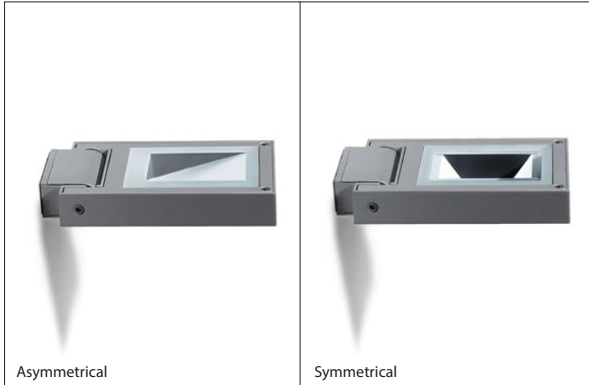


Project name: _____

Type: _____



Surface slim floodlight projector, can be used as direct or indirect light and available with asymmetric and symmetric reflector.

Luminaire characteristics:

Power input: 9W(system wattage)

Lumens: 608 lm to 699 lm (delivered)

Luminaire efficacy: 68 lm/W to 78 lm/W

Source: White LED, (LM-80 tested).

3000K: 90CRI.

4000K: 90CRI.

Lumen maintenance: >70% of initial lumens at 50 000 hours (L70)
LM-79 tested.

Optics: Asymmetrical or symmetrical flood optic.

Material:

Body: Die-cast aluminum.

Reflector: 99.98% pure anodized aluminum.

Diffuser: toughened glass.

Hardware: Stainless steel screws and silicone gaskets.

Electrical: See remote LED driver options on page 2.

Mounting: Install on a standard 4" junction box or in ground or on pole, using accessories.

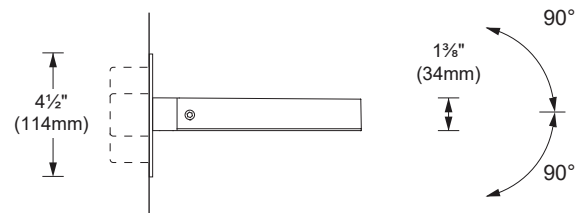
Finish: White or Aluminum gray.

Weight: 3.11lb (1.4kg).

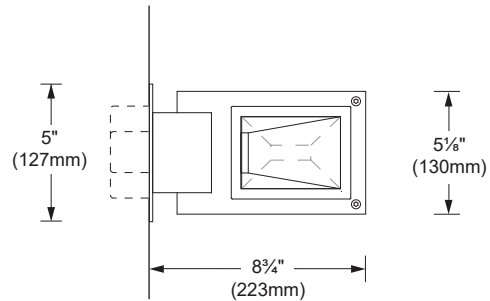
Warranty: 5 year limited warranty.

Certification: cULus listed for wet location.

Ratings: IP65, IK09



SIDE VIEW



BOTTOM VIEW

Project name: _____

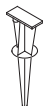
Type: _____

ORDERING INFO

MODEL	MOUNTING	ELECTRICAL	FINISH
<p>MODEL</p> <p><input type="radio"/> S3000N - 4000K, Asymmetrical</p> <p><input type="radio"/> S3000W - 3000K, Asymmetrical</p> <p><input type="radio"/> S3005N - 4000K, Symmetrical</p> <p><input type="radio"/> S3005W - 3000K, Symmetrical</p>	<p>MOUNTING</p> <p><input type="radio"/> JB - Surface mounted with Jbox</p>	<p>ELECTRICAL</p> <p><input type="radio"/> REM - 24V remote power supply</p>	<p>FINISH</p> <p><input type="radio"/> 01 - White</p> <p><input type="radio"/> 14 - Aluminum gray</p>
<p>REMOTE LED DRIVER OPTION (TO BE ORDERED SEPARATELY) Requirement for one (1) fixture: 11W, 24VDC</p> <p><input type="radio"/> 4548-0024-025-UNV-ND <input type="radio"/> 4551-0024-080-120-LTE</p> <p><input type="radio"/> 4448-0024-060-UNV-ND <input type="radio"/> 4448-0024-150-UNV-D10</p> <p><input type="radio"/> 4545-0024-075-UNV-ND <input type="radio"/> 4546-0024-200-2C-UNV-ND</p>			

ACCESSORIES (TO BE ORDERED SEPARATELY)

- S3049** - Stake for ground installation
Dim: H:12" (0.26lb)
Dim: H:310mm (0.12kg)



REMOTE LED DRIVER OPTIONS (TO BE ORDERED SEPARATELY)

Watts	Min-Max	Voltage	Rated	Dimming protocol	Box dimensions	Max distance 18AWG	Code
25	1-2	120-277V	Outdoor	None	7" X 5" X 3" (178 X 127 X 76mm)	20ft (6m)	4548-0024-025-UNV-ND
60	2-5	120-277V	Indoor	None	10" X 8" X 4" (254 X 203 X 102mm)	30ft (9m)	4448-0024-060-UNV-ND
75	1-6	120-277V	Outdoor	None	11" X 3" X 2" (279 X 75 X 51mm)	20ft (6m)	4545-0024-075-UNV-ND
80	1-7 (3-7 for DIM)	120V	Outdoor	Leading and trailing edge (ELV and TRIAC)	14" X 5" X 2" (356 X 127 X 51mm)	30ft (9m)	4551-0024-080-120-LTE
150	1-13	120-277V	Indoor	0-10V	10" X 8" X 4" (254 X 203 X 102mm)	25ft (7.5m)	4448-0024-150-UNV-D10
200	1-9 Per channel (Max 18)	120-277V	Outdoor	None	12" X 5" X 2" (305 X 127 X 51mm)	30ft (9m) Per channel	4546-0024-200-2C-UNV-ND

* The total power of all connected luminaires may not be higher than the power of the driver.

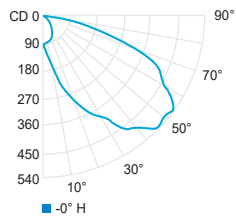
Project name: _____

Type: _____

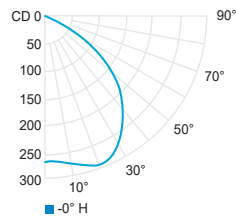
TECHNICAL DATA

LOAD (W)	CCT (K)	CRI	OPTIC	DELIVERED LUMENS (lm)	LUMINAIRE EFFICACY (lm / w)	CENTER BEAM CANDLE POWER (cd)	MODEL
9W	3000K	90	Asymmetrical	608	68	537	S3000W
			Symmetrical	699	78	292	S3005W

Asymmetric (3000K, 90CRI)



Symmetric (3000K, 90CRI)



	Center beam fc	Beam width ft
2ft	24.2	2.1
4ft	6.05	4.2
6ft	2.69	6.3
8ft	1.51	8.4
10ft	0.97	10.6
12ft	0.67	12.7

	Center beam fc	Beam width ft
2ft	63.2	5.1
4ft	15.8	10.1
6ft	7.03	15.2
8ft	3.95	20.3
10ft	2.53	25.3
12ft	1.76	30.4