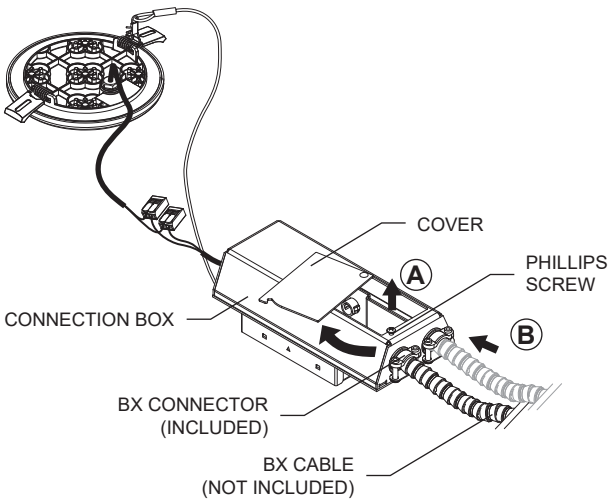


IMPORTANT - READ CAREFULLY BEFORE INSTALLING FIXTURE. RETAIN THESE INSTRUCTIONS FOR FUTURE REFERENCE. THIS PRODUCT MUST BE INSTALLED IN ACCORDANCE WITH THE NATIONAL ELECTRICAL CODE AND ALL APPLICABLE LOCAL CODES, BY A PERSON FAMILIAR WITH THE CONSTRUCTION AND OPERATION OF THE PRODUCT, AND THE HAZARDS INVOLVED. PROPER GROUNDING IS REQUIRED FOR SAFETY.

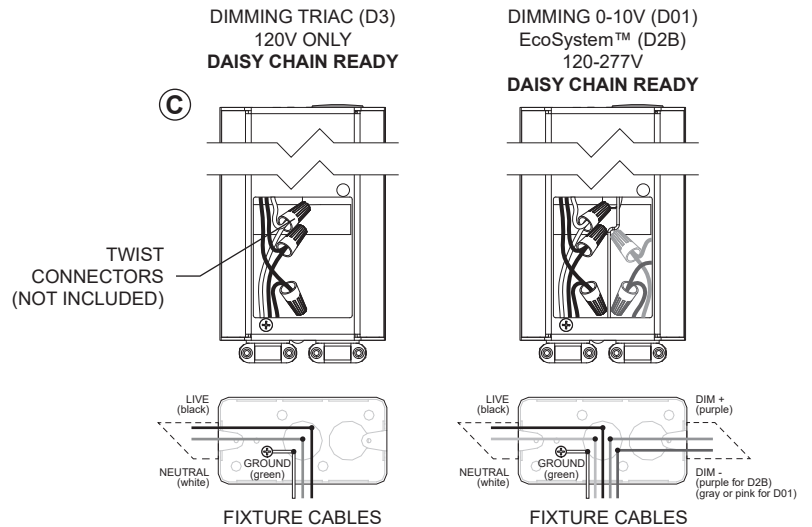
**NEW CONSTRUCTION WITH PLASTER FRAME (NC) / REMODEL (RF)
 INTEGRAL DRIVER (120V / 120-277V)
 DIMMING 0-10V (1%) - LUTRON HI-LUME® (1% EcoSystem™ / 1% 2-WIRE)**

- A- LOOSEN THE CONNECTION BOX PHILLIPS SCREW AND SLIDE THE COVER OPEN.
 - B- INSTALL BX CABLE (**NOT INCLUDED**) USING BX CONNECTOR (**INCLUDED**). LEAVE AT LEAST 6" OF WIRE IN THE BOX.
 - C- MAKE ALL NECESSARY CONNECTIONS (**SEE WIRING DIAGRAM**) USING TWIST CONNECTORS (**NOT INCLUDED**). ***DAISY CHAIN READY.**
 - D- CLOSE THE CONNECTION BOX COVER AND TIGHTEN THE PHILLIPS SCREW.
 - E- MAKE THE CUT-OUT OPENING (**SEE DIMENSIONS BELOW**).
 - F- INSERT THE DRIVER INTO THE CUT-OUT.
 - G- HOLD THE (2) CLIPS UPWARD AND INSERT FIXTURE INTO THE CUT-OUT.
- *FOR MAINTENANCE, PULL THE FIXTURE OUT OF THE CUT-OUT.**

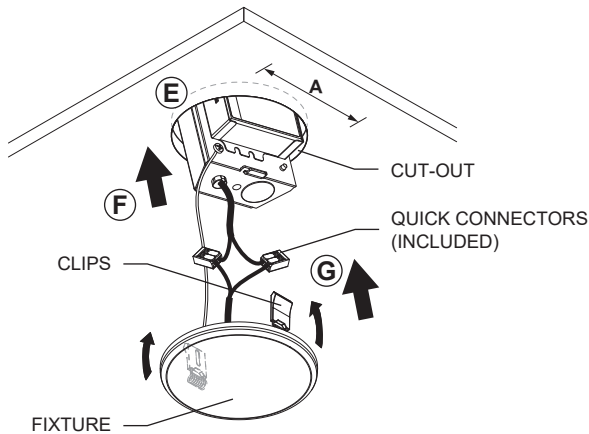
A + B + C



WIRING DIAGRAM



E + F + G

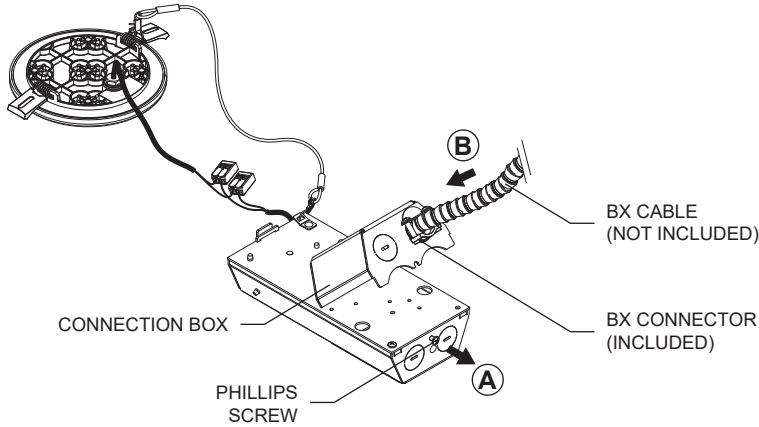


| Model | Plaster Frame | Cut-out dimensions (A) | Ceiling thickness | Clearance |
|----------|---------------|---|---------------------|---|
| 2060R-05 | BN-2060-05-NC | Ø4 ¹ / ₈ " (Ø105mm) | 1/8"-1/16" (3-20mm) | 6 ¹ / ₂ " (165mm) |
| 2060R-06 | BN-2060-06-NC | Ø5 ⁵ / ₁₆ " (Ø135mm) | | 5" (127mm) |
| 2060R-07 | BN-2060-07-NC | Ø6 ¹ / ₂ " (Ø165mm) | | 4 ¹ / ₂ " (114mm) |
| 2060R-08 | BN-2060-08-NC | Ø7 ¹¹ / ₁₆ " (Ø195mm) | | 3 ¹ / ₂ " (89mm) |

**NEW CONSTRUCTION WITH PLASTER FRAME (NC) / REMODEL (RF)
INTEGRAL DRIVER (120V)
DIMMING TRIAC / ELV (15%)**

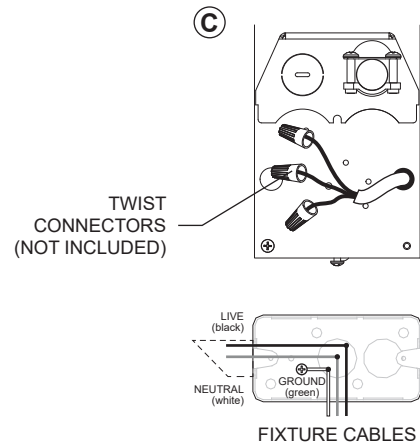
- A- LOOSEN THE CONNECTION BOX PHILLIPS SCREW AND OPEN IT.
 - B- INSTALL BX CABLE (**NOT INCLUDED**) USING BX CONNECTOR (**INCLUDED**). LEAVE AT LEAST 6" OF WIRE IN THE BOX.
 - C- MAKE ALL NECESSARY CONNECTIONS (**SEE WIRING DIAGRAM**) USING TWIST CONNECTORS (**NOT INCLUDED**). ***DAISY CHAIN READY.**
 - D- CLOSE THE CONNECTION BOX AND TIGHTEN THE PHILLIPS SCREW.
 - E- MAKE THE CUT-OUT OPENING (**SEE DIMENSIONS BELOW**).
 - F- INSERT THE DRIVER INTO THE CUT-OUT.
 - G- HOLD THE (2) CLIPS UPWARD AND INSERT FIXTURE INTO THE CUT-OUT.
- *FOR MAINTENANCE, PULL THE FIXTURE OUT OF THE CUT-OUT.**

A + B + C

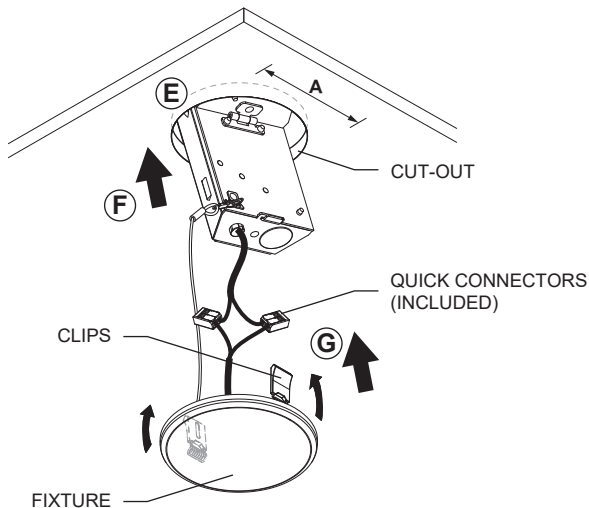


WIRING DIAGRAM

DIMMING TRIAC/ELV (LTE)
120V ONLY
DAISY CHAIN READY



E + F + G

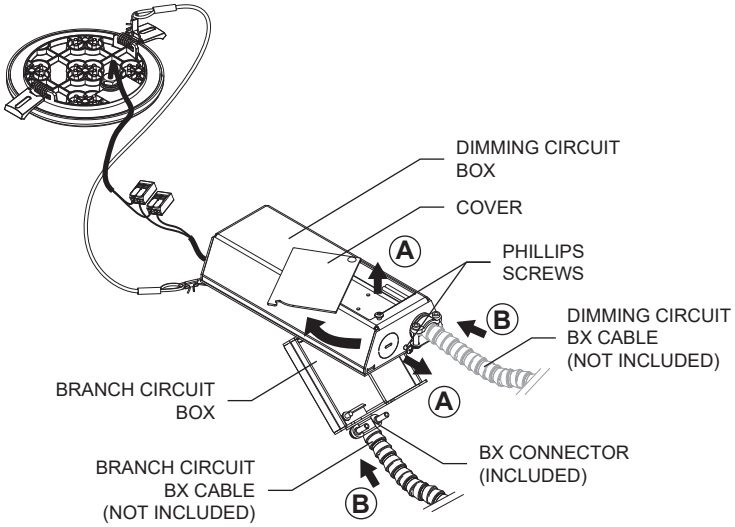


| Model | Plaster Frame | Cut-out dimensions (A) | Ceiling thickness | Clearance |
|----------|---------------|--|--|---|
| 2060R-05 | BN-2060-05-NC | Ø4 ¹ / ₈ " (Ø105mm) | 1/8"-1 ³ / ₁₆ " (3-20mm) | 6 ¹ / ₂ " (165mm) |
| 2060R-06 | BN-2060-06-NC | Ø5 ⁵ / ₁₆ " (Ø135mm) | | 5" (127mm) |
| 2060R-07 | BN-2060-07-NC | Ø6 ¹ / ₂ " (Ø165mm) | 1/8"-1 ³ / ₁₆ " (3-20mm) | 4 ¹ / ₂ " (114mm) |
| 2060R-08 | BN-2060-08-NC | Ø7 ¹ / ₁₆ " (Ø195mm) | | 3 ¹ / ₂ " (89mm) |

**NEW CONSTRUCTION WITH PLASTER FRAME (NC) / REMODEL (RF)
INTEGRAL DRIVER (120-277V)
DIMMING 0-10V (15%)**

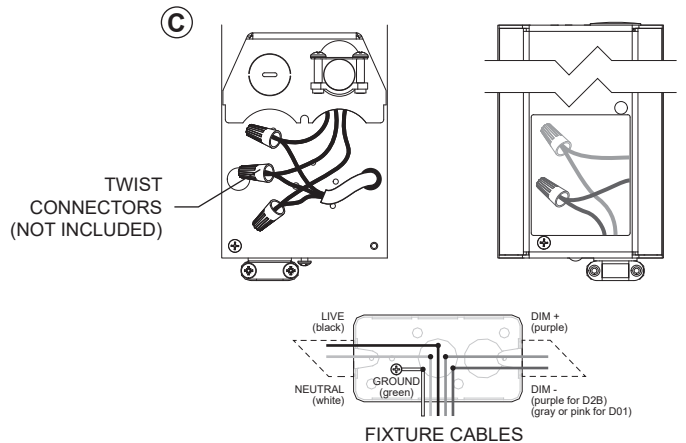
- A- LOOSEN THE (2) PHILLIPS SCREWS TO SLIDE THE DIMMING CIRCUIT BOX COVER OPEN AND OPEN THE BRANCH CIRCUIT BOX.
 - B- INSTALL BX CABLE (**NOT INCLUDED**) USING BX CONNECTOR (**INCLUDED**). LEAVE AT LEAST 6" OF WIRE IN THE BOX.
 - C- MAKE ALL NECESSARY CONNECTIONS (**SEE WIRING DIAGRAM**) USING TWIST CONNECTORS (**NOT INCLUDED**). ***DAISY CHAIN READY.**
 - D- SLIDE THE DIMMING CIRCUIT BOX COVER BACK ON, CLOSE THE BRANCH CIRCUIT BOX AND TIGHTEN THE PHILLIPS SCREWS.
 - E- MAKE THE CUT-OUT OPENING (**SEE DIMENSIONS BELOW**).
 - F- INSERT THE DRIVER INTO THE CUT-OUT.
 - G- HOLD THE (2) CLIPS UPWARD AND INSERT FIXTURE INTO THE CUT-OUT.
- *FOR MAINTENANCE, PULL THE FIXTURE OUT OF THE CUT-OUT.**

A + B + C



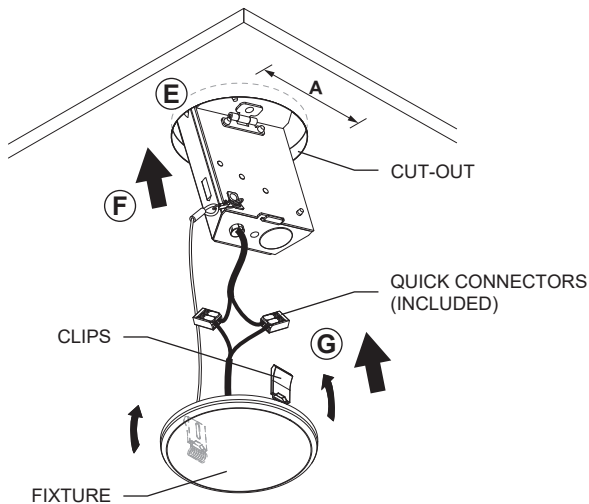
WIRING DIAGRAM

DIMMING 120-277V
0-10V (D10)
DAISY CHAIN READY



! If the wires for dimming are not used, protect wire ends with twist connectors.

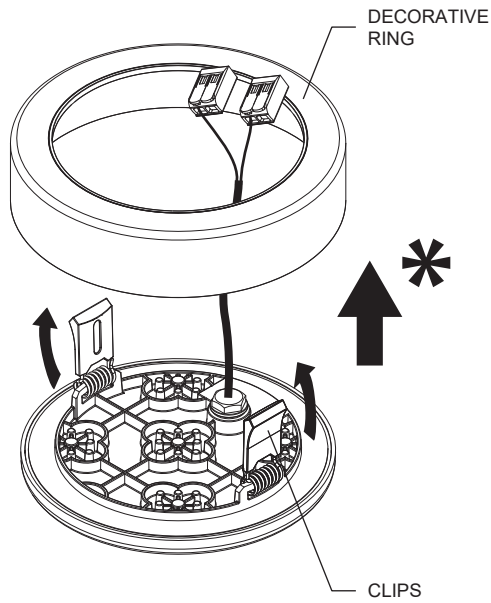
E + F + G



| Model | Plaster Frame | Cut-out dimensions (A) | Ceiling thickness | Clearance |
|----------|---------------|------------------------|-----------------------|----------------|
| 2060R-05 | BN-2060-05-NC | Ø4 1/8" (Ø105mm) | 1/8"-1 9/16" (3-20mm) | 6 1/2" (165mm) |
| 2060R-06 | BN-2060-06-NC | Ø5 5/16" (Ø135mm) | | 5" (127mm) |
| 2060R-07 | BN-2060-07-NC | Ø6 1/2" (Ø165mm) | | 4 1/2" (114mm) |
| 2060R-08 | BN-2060-08-NC | Ø7 11/16" (Ø195mm) | | 3 1/2" (89mm) |

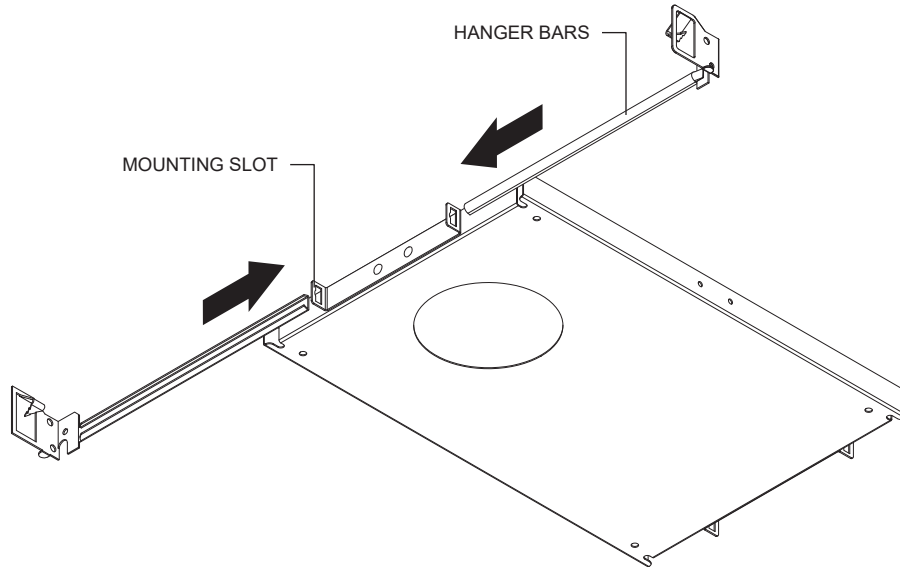
DECORATIVE RING INSTALLATION (NC) (207X-XX-XX)

HOLD THE FIXTURE'S (2) CLIPS UPWARD AND SET THE RING ONTO THE FIXTURE.



NEW CONSTRUCTION PLASTER FRAME INSTALLATION (NC)

- A- ENGAGE THE (4) HANGER BARS IN BOX SLOTS AVAILABLE AND CONNECT THEM TOGETHER.
B- FASTEN HANGER BARS TO CEILING BRACE WITH APPROPRIATE #8 SCREWS (**NOT INCLUDED**). THE PLASTER FRAME MUST BE FLUSH WITH CEILING BRACE AND INSURE THE SMALL FOLDED TABS ARE PLACED UNDER THE CEILING BRACES.

A**B**