

Wall recessed fitting designed to guarantee a wide distribution of light and directed downwards.

**Luminaire characteristic:**

MODEL	POWER (W)	OPTIC	LUMENS (lm)*	EFFICACY (lm/W)*	MAX CANDELA (cd)*
S6320W	9.3W	Accent light	412	44	272

\*For 3000K, 90CRI

<b>Source:</b>	White LED 2700K: 90CRI, 3000K: 90CRI, 4000K: 90CRI.
<b>Lumen maintenance:</b>	80% of initial lumens at 70 000 hours (L80 B10) Ta 77°F (25°C) 80% of initial lumens at 50 000 hours (L80 B10) Ta 104°F (40°C) (LM-80)

<b>Optic:</b>	Accent light
---------------	--------------

<b>Material:</b>	Body: Die-cast aluminum Diffuser: 4mm thick acid etched tempered glass. Hardware: Stainless steel screws and silicone gaskets
------------------	---

<b>Mounting:</b>	Recessed concrete wall installation using back box accessory.
------------------	---

<b>Electrical:</b>	High efficiency dimmable LED driver, rated at 50 000 hours. 120V/277V.
--------------------	--

<b>Dimming:</b>	0-10V down to 1% (120-277V).
-----------------	------------------------------

<b>Finish:</b>	Black or Aluminium gray painted finish. Double powder paint coat in 3 steps process: Surface treatment containing ceramic nano particles (Bonderite). Epoxy primer paint. Polyester powder paint with high resistance against UV rays and harsh weather conditions. See page 2 for other premium finishes available (white, green, burnish bronze & anthracite gray)
----------------	---

<b>Weight:</b>	2.65lb (1.2kg)
----------------	----------------

<b>Warranty:</b>	5 year limited warranty.
------------------	--------------------------

<b>Ratings:</b>	IP65, IK10
-----------------	------------

<b>Certification:</b>	cULus listed for wet location.
-----------------------	--------------------------------



**ORDERING INFO**

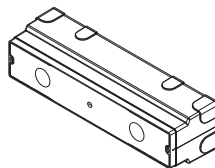


PRODUCT CODE

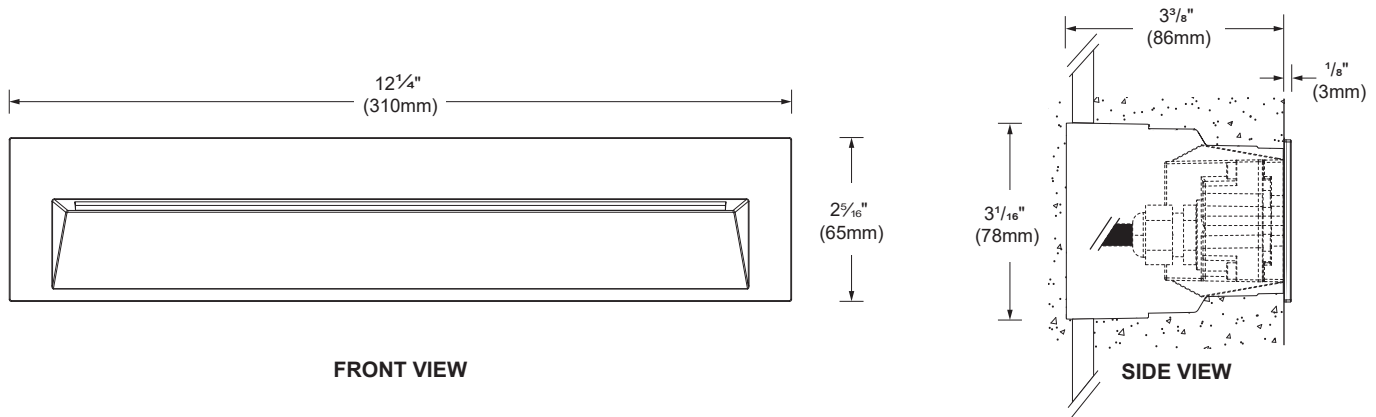
MODEL	LED	VOLTAGE	FINISH	DIMMING
<b>S6320</b>	<b>H</b> 2700K, 90CRI  <b>W</b> 3000K, 90CRI  <b>N</b> 4000K, 90CRI	<b>UNV</b> 120-277V	<b>09</b> Black  <b>14</b> Aluminium gray  <i>PREMIUM</i>  <b>01</b> White  <b>07</b> Green  <b>20</b> Burnished bronze  <b>24</b> Anthracite gray	<b>D10</b> 0-10V  <b>ND</b> No dimming

**MOUNTING ACCESSORIES**  
(TO BE ORDERED SEPARATELY)

- S6329** - Recessed backbox for concrete wall installation only.  
Length: 12.21" x 3.07" (310mm x 78mm)  
Depth 3.39" (86mm)



**DIMENSIONS**

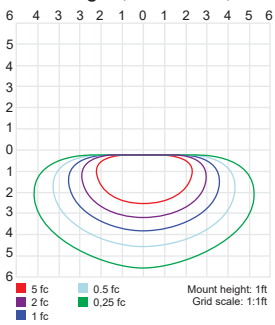


**PHOTOMETRIC DATA**

Visit [sistemalux.com](http://sistemalux.com) for complete photometric data.

CCT (K)	CRI	LOAD (W)	OPTIC	LUMENS (lm)	EFFICACY (lm / W)	MAX CANDELA (cd)	MODELS
3000K	90	9.3W	Accent light	412	44	272	S6320W

Accent light (3000K, 90 CRI)



CCT options	2700K	3000K	4000K
CRI options	90CRI	90CRI	90CRI
<b>Multiplier</b>	<b>0.97</b>	<b>1</b>	<b>1.02</b>

Use a multiplier table for the other CCT and CRI output data. Efficacy based on IESNA LM-79 test reports.