

OPTIC	BEAM ANGLE	SYSTEM POWER** (W)	OUTPUT (Nominal Luminous Flux)	LUMENS* (lm)	EFFICACY** (lm / W)	MAX CANDELA* (cd)
Narrow Spot	10°	9	06 (650 lm)	650	72	11 123
Spot	20°	20	21 (2100 lm)	1 917	72	11 336
Narrow Flood	30°			2 142	107	7 406
Flood	40°			2 106	105	4 434
Wide Flood	50°			2 067	103	3 020
Spot	20°			27	23 (2300 lm)	2 179
Narrow Flood	30°	2 378	88			8 993
Flood	40°	2 329	86			5 068
Wide Flood	50°	2 299	85			3 344

* Based on round (R) shape, trim (T) mounting and adjustable (A) optic at 3000K, 90CRI
 ** System power corresponds to the maximum measured value considering the Power Factor.
 For Non-IC (RF and NC installations), the system power (W) may increase by up to an additional 3W.
 Accordingly, the efficacy may vary depending on the resulting system power.

Source: COB LED module
 2700K : 90CRI,
 3000K : 90CRI,
 3500K : 90CRI,
 4000K : 90CRI,

Lumen maintenance: 90% of initial lumens at 50 000 hours (L90, LM-80).

Optics: *Adjustable:* Deep recessed lens available with different optics. Optical assembly hot-aiming adjustment - 30° tilt and 355° pan.
Fixed: Deep recessed lens available with different optics.

Material: *Body:* Die-cast aluminum optical assembly
Lens: Optical-Grade PMMA
Baffle: Painted polycarbonate

Mounting: *Cut-out:*
 • Round - \bigcirc $\varnothing 4''$ - $\varnothing 4\frac{1}{8}''$ ($\varnothing 100\text{mm}$ - $\varnothing 105\text{mm}$)
 • Square - $\square 3\frac{1}{8}''$ - $\square 3\frac{3}{8}''$ ($\square 97\text{mm}$ - $\square 99\text{mm}$)
 Remodel
 New construction with plaster frame
 New construction with housing for insulated ceiling or Chicago Plenum
 (See pages 3-4 for details)

Electrical: Integral high efficiency LED driver rated at 50 000 hours, 120V or 277V.

Dimming: Leading edge (TRIAC) and trailing edge (ELV) (120V only), down to 5%.
 0-10V (120-277V), down to 1%.
 DALI (120-277V), down to 1%.
 Lutron Hi Lume® 1% EcoSystem™ (Soft-on, Fade to Black)
 Casambi (120-277V), down to 1%.

Finish: Powder coated body and baffle
 (See page 2 for details).

Weight: 2.55lbs (1.16kg)

Warranty: 5 year limited warranty.

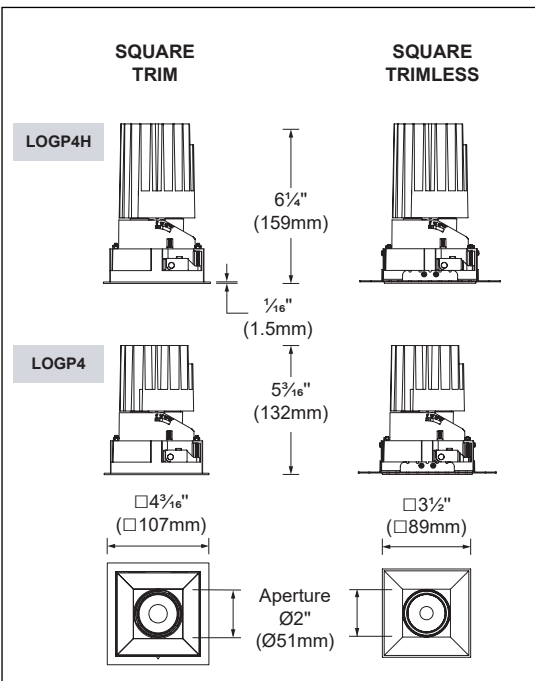
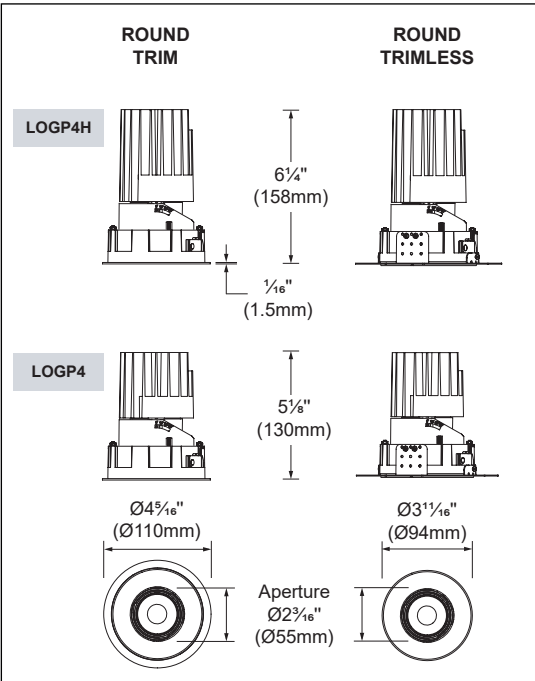
Ratings: IP20

Certification: cULus listed for damp location. Interior use only.



CASAMBI

LUTRON.



ORDERING INFO

[CLICK HERE](#)



CONFIGURE



PRODUCT CODE

INSTALLATION CODE (SEE PAGE 3-4)

--	--	--	--	--	--	--	--	--	--

MODEL	SHAPE	MOUNTING	INSTALLATION	OUTPUT**	LED ³	OPTIC	VOLTAGE	FINISH (trim finish / baffle finish)	DIMMING***
LOGP4 LOGO PRO 4	R Round	T Trim	RF Remodel	06 ^{1,2} 650 lm (9W*)	927 2700K, 90CRI	ANS ⁴ Adjustable, Narrow spot (10°)	120 120V	White trim	RF, NC (INSTALLATION) 120V LTE ⁷ Leading and Trailing edge dimming (down to 5%) D10 0-10V (down to 1%) DA ¹¹ DALI (down to 1%) D2B ⁸ Lutron Hi Lume® 1% EcoSystem™ (Soft-on, Fade to Black) 277V D10 0-10V (down to 1%) DA ¹¹ DALI (down to 1%) D2B ⁸ Lutron Hi Lume® 1% EcoSystem™ (Soft-on, Fade to Black)
	S Square	L Trimless Mud	NC New Construction	15 ^{1,8} 1500 lm (14W*)	930 3000K, 90CRI	ASP Adjustable, Spot (20°)	277 ⁵ 277V	01 White / white	
LOGP4H LOGO PRO 4H		M Trimless Millwork	IC ¹ Insulated Ceiling Housing	17 ¹ 1700 lm (17W*)	935 3500K, 90CRI	ANF Adjustable, Narrow Flood (30°)	UNV ⁶ 120-277V	21 White / black	
			CP ¹ Chicago Plenum Housing	19 ¹ 1900 lm (19W*)	940 4000K, 90CRI	AFL Adjustable, Flood (40°)		13 White/matte anodized	
				21 ^{1,8} 2100 lm (20W*)		AWF Adjustable, Wide Flood (50°)		41 ¹¹ White / gold	IC, CP (INSTALLATION) 120V LTE ⁷ Leading and Trailing edge dimming (down to 5%) UNV D10 0-10V (down to 1%) DA ¹¹ DALI (down to 1%) D2B ⁸ Lutron Hi Lume® 1% EcoSystem™ (Soft-on, Fade to Black)
				23 ³ 2300 lm (27W*)		FSP Fixed, Spot (25°)		E4 ¹¹ White / chrome	
						FNF Fixed, Narrow Flood (30°)		E7 ¹¹ White / black chrome	WIRELESS CONTROL 120V or 277V CAS ⁹ Casambi connectivity (down to 1%) AWN ¹⁰ Athena wireless node connectivity
						FFL Fixed, Flood (40°)		E9 ¹¹ White / gold matte	
						FWF Fixed, Wide Flood (50°)		Black trim	
								23 Black / white	
								02 Black / black	
								33 Black / matte anodized	
								42 ¹¹ Black / gold	
								F3 ¹¹ Black / chrome	
								F1 ¹¹ Black / black chrome	
								F4 ¹¹ Black / gold matte	
								Trimless	
								01 White	
								02 Black	
								51 Matte anodized	
								43 ¹¹ Gold	
								04 ¹¹ Chrome	
								E6 ¹¹ Black chrome	
								E8 ¹¹ Gold matte	

ACCESSORIES (TO BE ORDERED SEPARATELY)

9001-02 - Honeycomb louver
- Available for adjustable (ASP, ANF, AFL, AWF) optics



Comes with 9004-02 - Anti-Glare ring for Black hex cell louver



- (1) Available only for LOGO PRO 4 (LOGP4) model.
- (2) Available only for adjustable narrow spot (ANS) optic of LOGO PRO 4 (LOGP4) model.
- (3) Available only for LOGO PRO 4H (LOGP4H) model.
- (4) Available only for 650 lm (06) output.
- (5) Available only for remodel (RF) and new construction (NC) installation.
- (6) Available only for Insulated ceiling housing (IC) and Chicago Plenum housing (CP) installation.
- (7) Available for daisy chain connections.
- (8) Available only for trim (T) mounting with 1500 lm (15), 2100 lm (21) and 2300 lm (23) outputs.
- (9) Will be available soon for remodel (RF) and new construction (NC) installation, except for adjustable narrow spot (ANS) optic. Please contact customer service for details.
- (10) Will be available soon. Please contact customer service for details.
- (11) May require a longer lead time than standard. Please contact customer service for details.

** For Non-IC (RF and NC installations), the system power (W) may increase by up to an additional 3W.
** Nominal Luminous Flux value at 3000K, 90CRI. Actual performance may vary depending on the installation conditions.
*** Dimming levels will vary depending on the dimmer used and the number of luminaires on the line.

INSTALLATION

(TO BE ORDERED SEPARATELY)

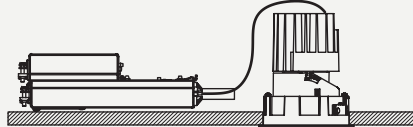
Remodel (RF)

Versatile fixture for new or existing ceiling structure. Suitable for non-insulated ceiling like sheetrock or paneling. Fixture is ready for remodeling installation. Trimless frame kit can be shipped separately.

Ceiling thickness:

Trim (Round/Square): 1/4" - 1" (1-25mm)
 Trimless Mud (Round/Square): 1/4" - 1" (1-25mm)
 Trimless Millwork (Round/Square): 1/2" - 1" (12.5-25mm)

Total weight: 2.4lbs (1.1kg)



Model	Shape	Mounting	Trimless frame	Cut-out dimensions	Clearance (H)	
					LOGP4	LOGP4H
LOGP4 LOGP4H	Round	Trim		Ø4" (Ø100mm)	7 1/8" (180mm)	8 1/8" (207mm)
		Trimless Mud	TK-LOGP4RL-RF*	Ø4 1/8" (Ø105mm)		
		Trimless Millwork	TK-LOGP4RM-RF*			
	Square	Trim		□3 13/16" (□97mm)		
		Trimless Mud	TK-LOGP4SL-RF*	□3 7/8" (□99mm)		
		Trimless Millwork	TK-LOGP4SM-RF*	□3 13/16" (□97mm)		

*Can be installed from below the ceiling.

New construction with plaster frame (NC)

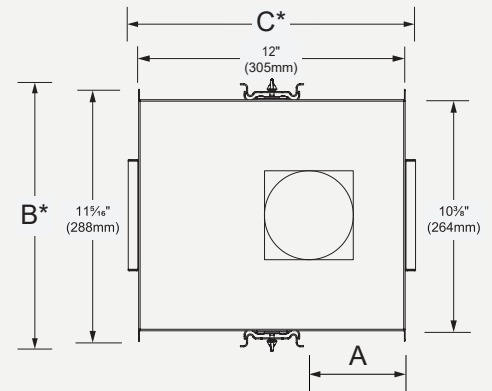
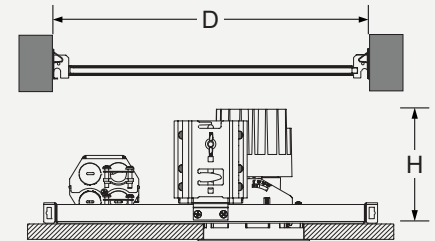
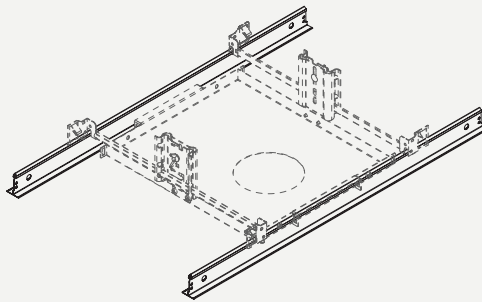
Plaster frame with hanger bars system to be installed during rough-in phase. Suitable for non-insulated new construction ceiling assemblies, like sheetrock, or paneling. Plaster frame and trim can be shipped separately.

Ceiling thickness:

Trim (Round/Square): 1/4" - 1 5/8" (1-24mm)
 Trimless Mud (Round/Square): 1/4" - 1 5/8" (1-24mm)
 Trimless Millwork (Round/Square): 1/2" - 1 5/8" (12.5-24mm)

Total weight: 4.2lbs (1.9kg)

Hanger bars suitable for Grid ceiling



Model	Shape	Mounting	Plaster frame	Cut-out dimensions	Cut-out position (A)	Max overall dimensions (B*xC*)	Hanger bars (D)	Clearance (H)	
								LOGP4	LOGP4H
LOGP4 LOGP4H	Round	Trim	BN-LOGP4RT-NC	Ø4" (Ø100mm)	4 5/16" (110mm)	12 1/4" x 12 15/16" (311 x 328mm)	14 1/4" to 26" (362 to 660mm)	7 1/8" (180mm)	8 1/8" (207mm)
		Trimless Mud	BN-LOGP4RL-NC	Ø4 1/8" (Ø105mm)					
		Trimless Millwork	BN-LOGP4RM-NC						
	Square	Trim	BN-LOGP4ST-NC	□3 13/16" (□97mm)					
		Trimless Mud	BN-LOGP4SL-NC	□3 7/8" (□99mm)					
		Trimless Millwork	BN-LOGP4SM-NC	□3 13/16" (□97mm)					

*Provide a minimum of 1 1/8" (47mm) on each side for the hanger bar fixations

INSTALLATION

(TO BE ORDERED SEPARATELY)

New construction with housing suitable for insulated ceiling (IC) or Chicago Plenum (CP)

Housing with hanger bars system for new construction installations. Suitable for insulated ceiling or Chicago Plenum applications. Housing and trim can be shipped separately.

Ceiling thickness:

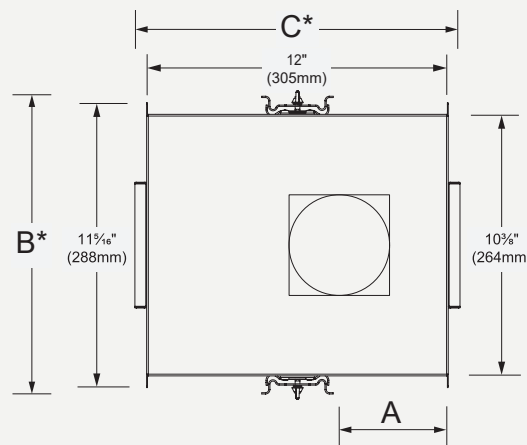
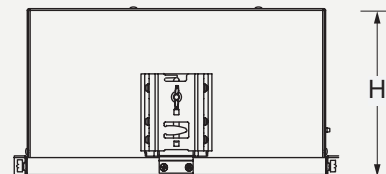
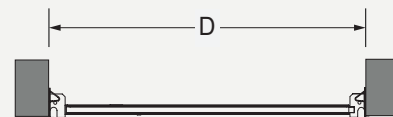
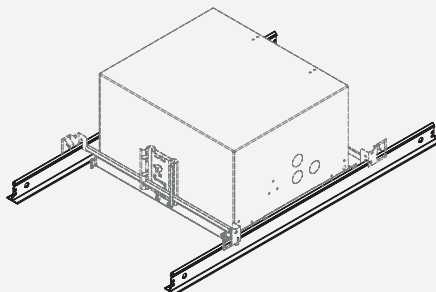
Trim (Round/Square): 1/16" - 15/16" (1-24mm)

Trimless Mud (Round/Square): 1/16" - 15/16" (1-24mm)

Trimless Millwork (Round/Square): 1/2" - 15/16" (12.5-24mm)

Total weight: 6.8lbs (3.1kg)

Hanger bars suitable for Grid ceiling



Model	Shape	Mounting	Housing	Cut-out dimensions	Cut-out position (A)	Max overall dimensions (B*xC*)	Hanger bars (D)	Clearance (H)
LOGP4	Round	Trim	BI-LOGP4RT-IC	Ø4" (Ø100mm)	4 5/16" (110mm)	12 1/4" x 12 15/16" (311 x 328mm)	14 1/4" to 26" (362 to 660mm)	6 1/2" (165mm)
			BI-LOGP4RT-CP					
		Trimless Mud	BI-LOGP4RL-IC	Ø4 1/8" (Ø105mm)				
			BI-LOGP4RL-CP					
		Trimless Millwork	BI-LOGP4RM-IC	Ø4 1/8" (Ø105mm)				
			BI-LOGP4RM-CP					
	Square	Trim	BI-LOGP4ST-IC	□3 13/16" (□97mm)				
			BI-LOGP4ST-CP	□3 13/16" (□97mm)				
		Trimless Mud	BI-LOGP4SL-IC	□3 7/8" (□99mm)				
			BI-LOGP4SL-CP	□3 7/8" (□99mm)				
Trimless Millwork	BI-LOGP4SM-IC	□3 13/16" (□97mm)						
	BI-LOGP4SM-CP							

*Provide a minimum of 1 7/8" (47mm) on each side for the hanger bar fixations.

MODEL

ROUND TRIM



ROUND TRIMLESS



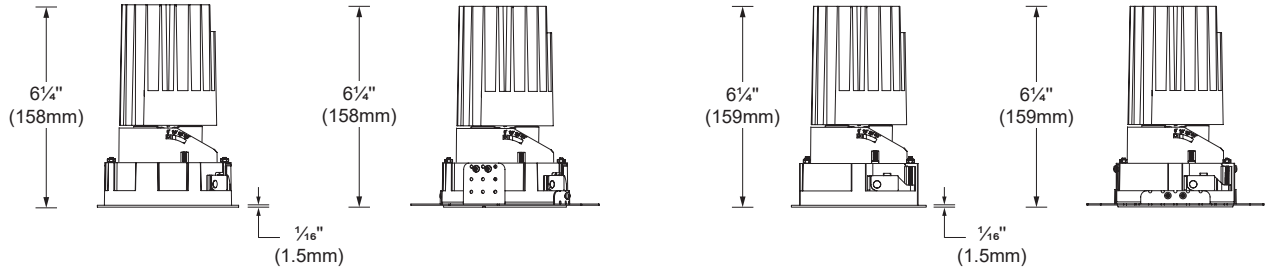
SQUARE TRIM



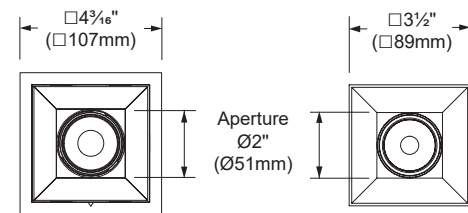
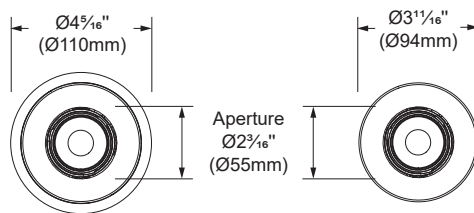
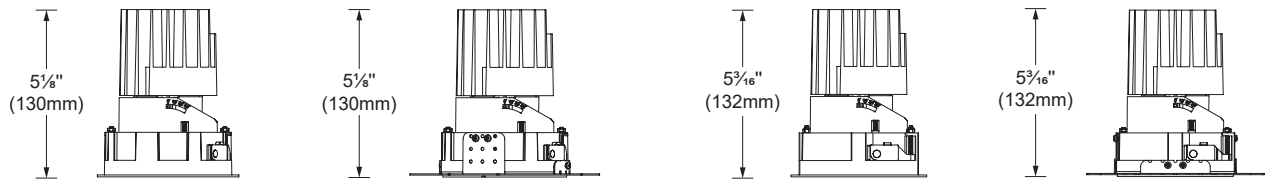
SQUARE TRIMLESS



LOGP4H



LOGP4

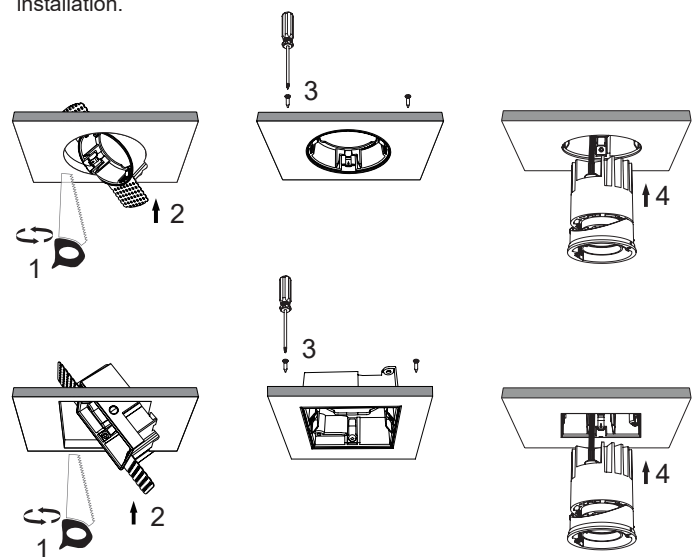
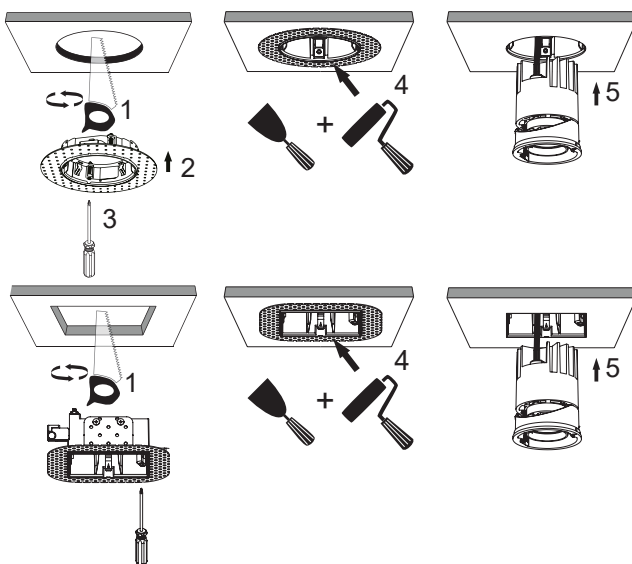


TRIMLESS MUD FRAME KIT

Trimless mud frame kit to be fastened to the gypsum board. The assembly is then finished by plastering, sanding and painting. Install the luminaire inside the opening once painting is completed. The kit is sold separately for retrofit installation or supplied with the plaster frame for new construction installations.

TRIMLESS MILLWORK FRAME KIT

Trimless millwork frame kit to be fastened to the ceiling. Install the luminaire inside the opening once the trimless millwork frame kit installation is completed. The kit is sold separately for retrofit installation or supplied with the plaster frame or the housing for new construction installation.



PHOTOMETRIC DATA ¹

Visit sistimalux.com for complete photometric data.

ADJUSTABLE



CCT (K)	CRI	SYSTEM POWER* (W)	OUTPUT (Nominal Luminous Flux)	OPTIC	LUMENS ² (lm)	EFFICACY* (lm/W)	MAX CANDELLA ² (cd)	MODELS (Round, Adjustable)
3000	90	9	06 (650 lm)	Narrow Spot (10°)	650	72	11 123	LOGP4R-ANS
				Spot (20°)	1 917	95	11 336	LOGP4R-ASP
		20	21 (2100 lm)	Narrow Flood (30°)	2 142	107	7 402	LOGP4R-ANF
				Flood (40°)	2 106	105	4 434	LOGP4R-AFL
				Wide Flood (50°)	2 067	103	3 020	LOGP4R-AWF
				Spot (20°)	2 179	80	14 784	LOGP4HR-ASP
		27	23 (2300 lm)	Narrow Flood (30°)	2 378	88	8 993	LOGP4HR-ANF
				Flood (40°)	2 329	86	5 068	LOGP4HR-AFL
				Wide Flood (50°)	2 299	85	3 344	LOGP4HR-AWF

Use multiplier table for other CCT and CRI output data. Efficacy based on IESNA LM-79 test reports. Visit www.sistimalux.com for complete photometric data.

* System power corresponds to the maximum measured value considering the Power Factor. For Non-IC (RF and NC installations), the system power may increase by up to an additional 3W. Accordingly, the efficacy may vary depending on the resulting system power.

* USE MULTIPLIER TABLE FOR OTHER CCT OUTPUT DATA ¹

CCT options	2700K	3000K	3500K	4000K
CRI options	90CRI	90CRI	90CRI	90CRI
Multiplier (LOGP4R-ANS)	0.98	1	1.02	1.05
Multiplier (LOGP4R-ASP,ANF,AFL,AWF)	0.96	1	1.01	1.03
Multiplier (LOGP4HR-ASP,ANF,AFL,AWF)	0.98	1	1.02	1.05

* USE MULTIPLIER TABLE FOR OTHER LUMEN OUTPUT DATA ¹

Target lumen ³	1500lm	1700lm	1900lm	2100lm
Multiplier (LOGP4R-ASP,ANF,AFL,AWF)	0.72	0.81	0.91	1

* USE MULTIPLIER TABLE FOR FIXED LUMEN OUTPUT DATA ¹

Target Optic	LOGP4R-FNS	LOGP4R-FSP	LOGP4R-FNF	LOGP4R-FFL	LOGP4R-FWF	LOGP4HR-FSP	LOGP4HR-FNF	LOGP4HR-FFL	LOGP4HR-FWF
Multiplier	0.89	0.89	0.89	0.88	0.87	0.89	0.89	0.89	0.88

(1) Please contact customer service for details.

(2) Based on round (R) shape, trim (T) mounting and adjustable (A) optic.

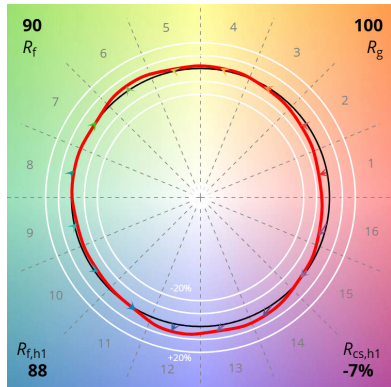
(3) Approximate lumen value, the fixture is configured to deliver under nominal conditions based on selected drive current.

* For the Square version, lumen output may differ from the Round version. Please refer to the IES files available on the website for detailed information.

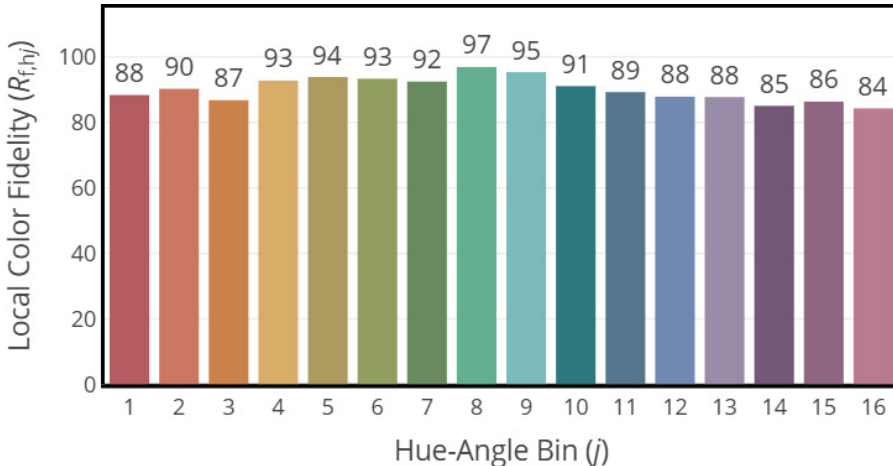
LED COLOR FIDELITY DATA

For 650 lm (06) Output, LOGP4 with Narrow Spot (10°, Optic)

COLOR VECTOR GRAPH



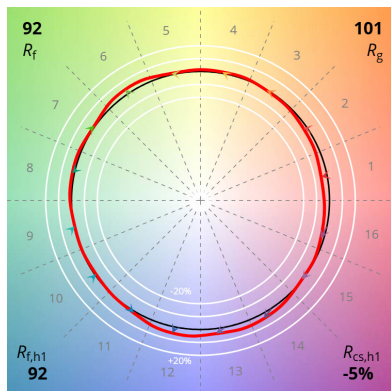
LOCAL COLOR FIDELITY



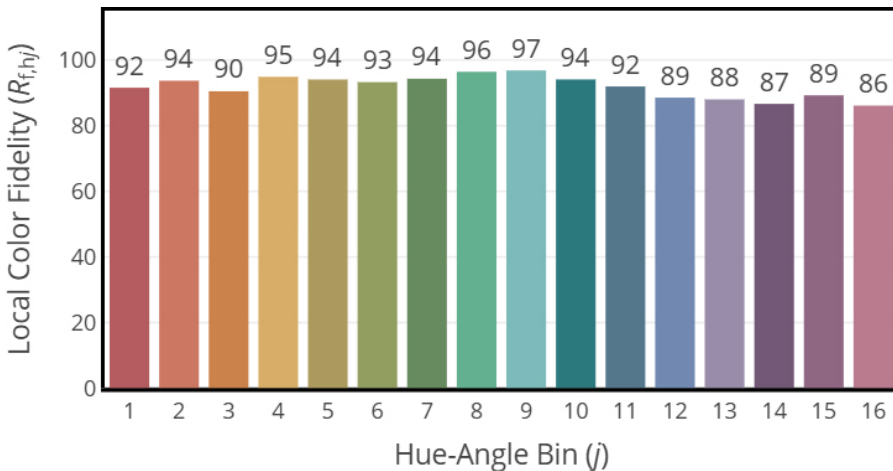
LED COLOR FIDELITY DATA

For 2100 lm (21) Output - LOGP4

COLOR VECTOR GRAPH



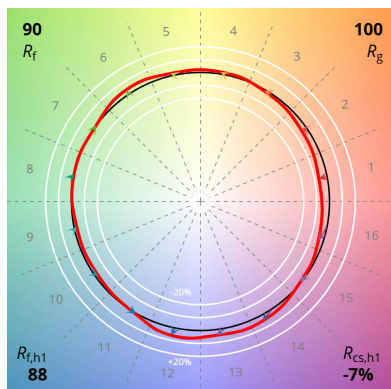
LOCAL COLOR FIDELITY



LED COLOR FIDELITY DATA

For 2300 lm (23) Output - LOGP4H

COLOR VECTOR GRAPH



LOCAL COLOR FIDELITY

