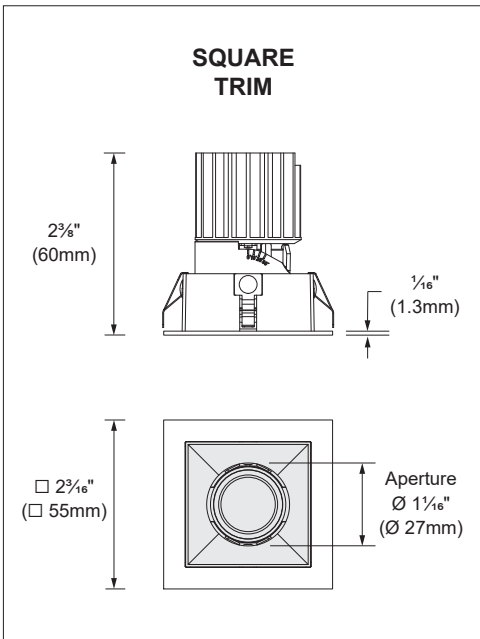
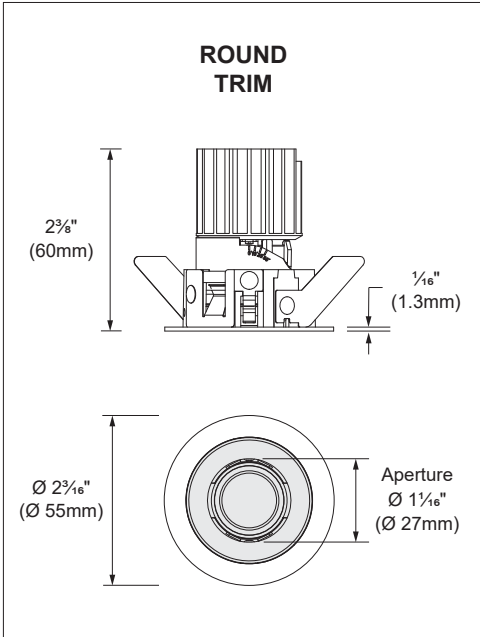




Collection of specification grade downlights for architectural applications. Excellent build quality with features for the most demanding professional applications. Available in five sizes 2", 3", 4", 5", 6" aperture with generous light outputs and excellent chromatic performance. Professional optics available with directional distribution.



OPTIC	BEAM ANGLE	SYSTEM POWER** (W)	OUTPUT (Nominal Luminous Flux)	LUMENS* (lm)	EFFICACY** (lm/W)	MAX CANDELA* (cd)
Spot	18°	5.5	04 (360 lm)	399	72	2 499
Narrow Flood	24°			396	72	1 523
Flood	35°			364	66	767
Wide Flood	50°			369	67	478

* Based on round (R) shape, trim (T) mounting at 3000K, 90CRI
 ** For products that uses a remote LED driver, the total system power (W) and efficacy (lm/W) vary according to the efficiency of the remote LED driver selected.

Source: COB LED module
 2700K: 90CRI
 3000K: 90CRI
 3500K: 90CRI
 4000K: 90CRI

Lumen maintenance: 90% of initial lumens at 50 000 hours (L90, LM-80)

Optic: Deep recessed adjustable lens available with different optics. Optical assembly hot-aiming adjustment — 30° tilt and 355° pan.

Material:
Body: Die-cast aluminum optical assembly
Lens: Optical-Grade PMMA
Baffle: Painted polycarbonate

Mounting:
Cut-out:
 • Round - Ø 1 7/8" (Ø 47mm)
 • Square - 1 13/16" (Ø 46mm)
Remodel:
 New construction with plaster frame
 New construction with housing for insulated ceiling or Chicago Plenum
 (See page 4-5 for details)

Electrical: High efficiency dimmable LED driver, rated at 50 000 hours. See remote LED driver options.

Finish: Powder coated body and baffle
 (See page 2 for details)

Weight: 0.2lbs (0.09kg)

Warranty: 5 year limited warranty

Rating: IP20

Certification: cULus listed for damp location. Interior use only.



ORDERING INFO

CLICK HERE



PRODUCT CODE

INSTALLATION CODE (SEE PAGE 4-5)

MODEL	SHAPE	MOUNTING	INSTALLATION	OUTPUT *	LED	OPTIC	VOLTAGE	FINISH (trim finish / baffle finish)
LOGP2 LOGO PRO 2	R Round	T Trim	RF Remodel	02 240 lm (3W)	927 2700K, 90CRI	XSP Adjustable / Fix, Spot (18°)	REM Remote	White trim 01 White / white
	S Square		NC New construction	03 300 lm (3.5W)	930 3000K, 90CRI			
			IC Insulated ceiling housing	04 360 lm (4.5W)	935 3500K, 90CRI	XFL Adjustable / Fix, Flood (35°)		13 White / matte anodized
			CP Chicago Plenum housing		940 4000K, 90CRI		XWF Adjustable / Fix, Wide flood (50°)	41 ¹ White / gold
								E4 ¹ White / chrome
								E7 ¹ White / black chrome
								E9 ¹ White / gold matte
								Black trim 23 Black / white
								02 Black / black
								33 Black / matte anodized
								42 ¹ Black / gold
								F3 ¹ Black / chrome
								F1 ¹ Black / black chrome
								F4 ¹ Black / gold matte

ACCESSORY
(TO BE ORDERED SEPARATELY)

ACC-197² - Honeycomb louver



⁽¹⁾ May require a longer lead time than standard. Please contact customer service for details.

⁽²⁾ Will be available soon. Please contact customer service for details.

* Nominal Luminous Flux value at 3000K, 90CRI. Actual performance may vary depending on the installation conditions. Source Power (W)

REMOTE LED DRIVER OPTIONS (TO BE ORDERED SEPARATELY)

PRODUCT CODE (COMPLETE ON THE PREVIOUS PAGE)

DRIVER BOX MODEL

Indoor rated drivers ¹

Dimming	Driver box model	Min-Max units		
		3W* Output 240 lm	3.5W* Output 300 lm	4.5W* Output 360 lm
D10	4450-0250-013-UNV-D10	1-4		
	4450-0300-016-UNV-D10		1-4	
	4450-0400-022-UNV-D10			1-4
ED10	4450-0250-013-UNV-ED10	1-4		
	4450-0300-016-UNV-ED10		1-4	
	4450-0400-020-UNV-ED10			1-4
SD10 (4 outputs)	4448-0250-057-UNV-SD10	1-16		
	4448-0300-068-UNV-SD10		1-16	
	4448-0400-091-UNV-SD10			1-16
EDA	4444-0250-010-UNV-EDA	1-4		
	4450-0300-016-UNV-EDA		1-4	
	4450-0400-022-UNV-EDA			1-4
SDA (4 outputs)	4448-0250-057-UNV-SDA	1-16		
	4448-0300-100-UNV-SDA		1-16	
	4448-0400-044-UNV-SDA			1-16
CAS**	4450-0250-013-UNV-CAS	1-4		
	4450-0300-016-UNV-CAS		1-4	
	4450-0400-020-UNV-CAS			1-4
AWN**	4450-0250-013-UNV-AWN	1-4		
	4450-0300-016-UNV-AWN		1-4	
	4450-0400-022-UNV-AWN			1-4

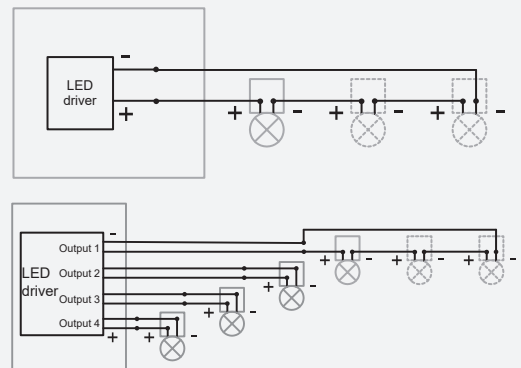
* Wattage requirement for one (1) fixture (remote fixture only). Source Power (W).

** Will be available soon. May require a longer lead time. Please contact customer service for details.

DRIVER BOX MODEL DESCRIPTION

DIMENSION	CONSTANT CURRENT	WATTAGE	VOLTAGE	DIMMING PROTOCOL ²
4444 6" x 4" x 3" (152 x 102 x 76mm)	0250 250mA	010 to 100 10W to 100W	UNV 120-277V	D10 0-10V Max distance: 48m (160ft) ³ (down to 1%)
	0300 300mA			
	0400 400mA			
4448 10" x 8" x 4" (254 x 203 x 102mm)				ED10 ⁵ 0-10V eldoLED ECOdrive Max distance: 48m (160ft) ³ (down to 1%)
			SD10 ⁵ 0-10V eldovLED SOLOdrive Max distance: 48m (160ft) ³ (down to 0.1%)	
4450 8" x 8" x 4" (203 x 203 x 102mm)				SDA ⁵ DALI eldoLED SOLOdrive Max distance: 48m (160ft) ³ (down to 0.1%)
				CAS ⁶ Casambi connectivity Max distance: 30m (65ft) ⁴ (down to 1%)
				AWN ⁶ Athena wireless node connectivity Max distance: 9m (30ft) ⁴ (down to 1%)

WIRING DIAGRAM EXAMPLES



(1) Luminaires must be connected in series or on separate outputs (1-4). Do not exceed the wattage and voltage range on each output.

(2) Dimming levels will vary depending on the dimmer used and the number of luminaires on the line.

(3) Max distance cable calculated for 16AWG cable based on a single lighting fixture. With 18AWG cable, it may have shorter distance (30m / 100ft). Contact customer service for more lighting fixtures or longer remote distance.

(4) Max distance may be reduced depending on the obstacles such as walls or metal structures.

(5) May require a longer lead time. Please contact customer service for details.

(6) Will be available soon. May require a longer lead time. Please contact customer service for details.

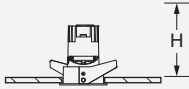
INSTALLATION
(TO BE ORDERED SEPARATELY)

Remodel (RF)

Versatile fixture for new or existing ceiling structure. Suitable for non-insulated ceiling like sheetrock or paneling. Fixture is ready for remodeling installation. Trimless frame kit can be shipped separately.

Ceiling thickness: 1/8" - 13/16" (3 - 20mm)

Total weight: 0.2lbs (0.09kg)



Model	Shape	Mounting	Cut-out dimensions	Clearance (H)
LOGO PRO 2	Round	Trim	Ø 1 7/8" (Ø 47mm)	4 3/4" (120mm)
	Square	Trim	1 13/16" x 1 13/16" (46 x 46mm)	

*Can be installed from below the ceiling.

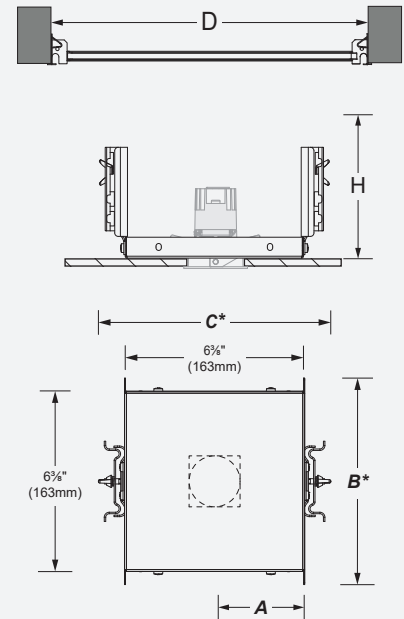
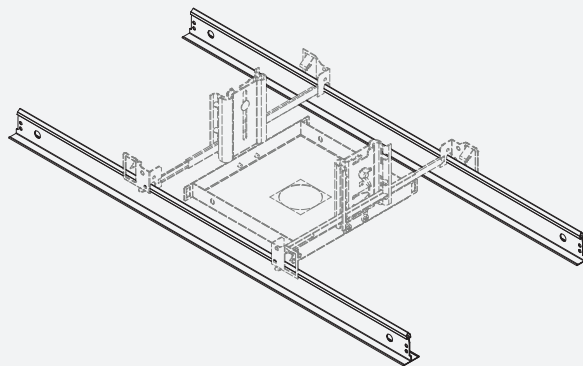
New construction with plaster frame (NC)

Plaster frame with hanger bars system to be installed during rough-in phase. Suitable for non-insulated new construction ceiling assemblies, like sheetrock, or paneling. Plaster frame and trim can be shipped separately.

Ceiling thickness: 1/8" - 3/4" (3 - 19mm)

Total weight: 1.2lbs (0.5kg)

Hanger bars suitable for Grid ceiling



*Provide a minimum of 1 7/8" (47mm) on each side for the hanger bar fixations

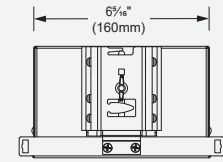
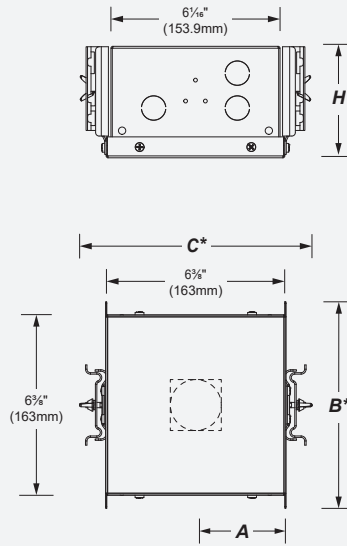
Model	Housing	Cut-out dimensions	Cut-out position (A)	Max Overall dimensions (B*xC*)	Hanger bars (D)	Minimum Clearance (H)
LOGO PRO 2	BN-LOGP2RT-NC-REM	Ø 1 7/8" (Ø 47mm)	3 3/16" (81.3mm)	7 7/16" x 8 1/4" (186 x 210mm)	14 1/4" to 26" (362 to 660mm)	4 3/4" (120mm)
	BN-LOGP2ST-NC-REM	1 13/16" x 1 13/16" (46 x 46mm)				

INSTALLATION
(TO BE ORDERED SEPARATELY)

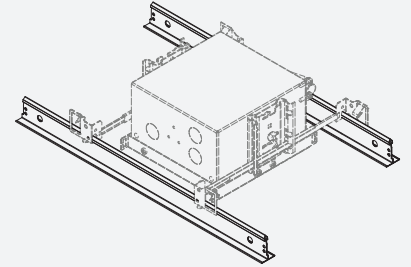
New construction with housing suitable for insulated ceiling (IC) or Chicago plenum (CP)

Housing with hanger bars system for new construction installations. Suitable for insulated ceiling or Chicago Plenum applications. Housing and trim can be shipped separately.

Ceiling thickness: 1/8" - 3/4" (3 - 19mm)
Total weight: 2.6lbs (1.2kg)



Hanger bars suitable for Grid ceiling



*Provide a minimum of 1 3/8" (46mm) on each side for the hanger bar fixations

Model	Housing	Cut-out dimensions	Cut-out position (A)	Max Overall dimensions (B*xC*)	Hanger bars (D)	Minimum Clearance (H)
LOGO PRO 2	BI-LOGP2RT-IC-REM	Ø 1 1/8" (Ø 47mm)	3 3/8" (81.3mm)	7 5/16" x 8 1/4" (186 x 210mm)	14 1/4" to 26" (362 to 660mm)	4" (102mm)
	BI-LOGP2RT-CP-REM					
	BI-LOGP2ST-IC-REM	1 13/16" x 1 13/16" (46 x 46mm)				
	BI-LOGP2ST-CP-REM					

MODELS DIMENSIONS

ROUND TRIM

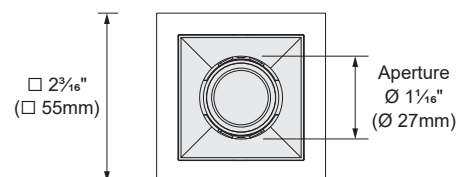
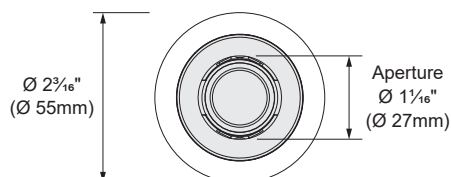
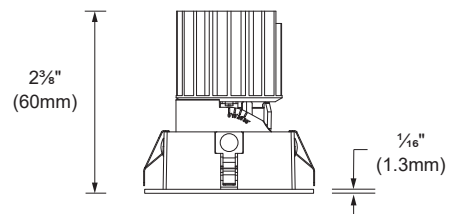
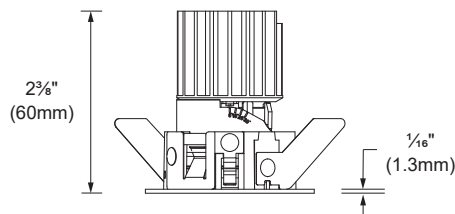


ADJUSTABLE / FIX

SQUARE TRIM



ADJUSTABLE / FIX



PHOTOMETRIC DATA ¹

Visit sistemalux.com for complete photometric data.

ADJUSTABLE / FIX



CCT (K)	CRI	SYSTEM POWER* (W)	OUTPUT (Nominal Luminous Flux)	OPTIC	LUMENS ² (lm)	EFFICACY* (lm/w)	MAX CANDELA ² (cd)	MODELS (Round)
3000	90	5.5	04 (360 lm)	Spot (18°)	399	72	2 499	LOGP2RT-XSP
				Narrow Flood (24°)	396	72	1 523	LOGP2RT-XNF
				Flood (35°)	364	66	767	LOGP2RT-XFL
				Wide Flood (50°)	369	67	478	LOGP2RT-XWF

* For products that uses a remote LED driver, the total system power (W) and efficacy (lm/W) vary according to the efficiency of the remote LED driver selected. Use multiplier table for other CCT and CRI output data. Efficacy based on IESNA LM-79 test reports. Visit www.sistemalux.com for complete photometric data.

*** USE MULTIPLIER TABLE FOR OTHER CCT OUTPUT DATA ¹**

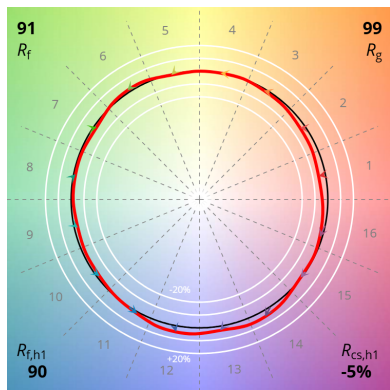
CCT options	2700K	3000K	3500K	4000K
CRI options	90CRI	90CRI	90CRI	90CRI
Multiplier	0.96	1	1.01	1.03

*** USE MULTIPLIER TABLE FOR OTHER LUMEN OUTPUT DATA ¹**

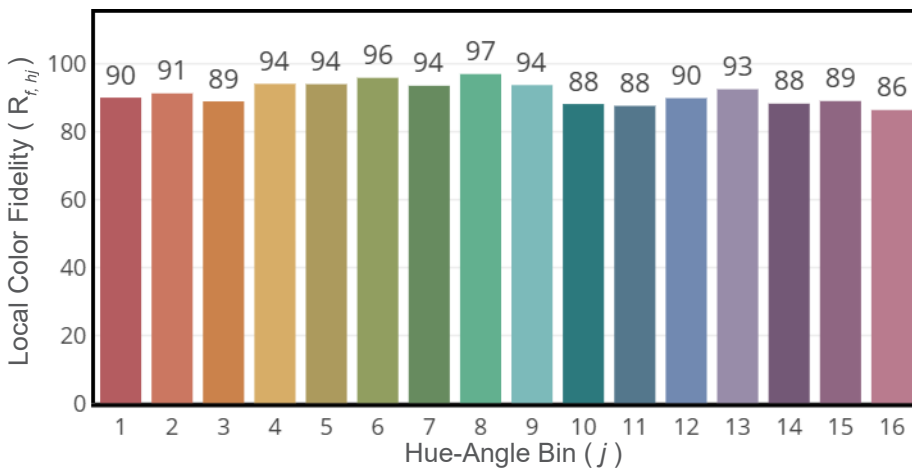
Target lumen ³	240 lm	300 lm	360 lm
Multiplier	0.68	0.81	1

LED COLOR FIDELITY DATA

COLOR VECTOR GRAPH



LOCAL COLOR FIDELITY



⁽¹⁾ Please contact customer service for details.

⁽²⁾ Based on round (R) shape.

⁽³⁾ Approximate lumen value, the fixture is configured to deliver under nominal conditions based on selected drive current.

* For the Square version, lumen output may differ from the Round version. Please refer to the IES files available on the website for detailed information.