



Collection of pole mounted projector, for urban lighting, available with asymmetric and symmetric reflector. Covers a wide range of applications and gives a high flexibility of use. Exceptional European build quality with high corrosion resistant finish.

Luminaire characteristics:

Power input: 45.5W
Lumens: 3 900lm (for 3000K)
Luminaire efficacy: 85lm/W

Source: White LED (LM-80 Tested)
3000K: 90CRI
4000K: 90CRI

Lumen maintenance: >70% of initial lumens at 50 000 hours (L70) (LM79 tested)

Optics: Asymmetrical or symmetrical street optic.

Material: Body: Die cast aluminum
Reflector: 99.98% pure anodized aluminum
Diffuser: Methacrylate
Hardware: Stainless steel screws and silicone gaskets.

Mounting: Install on 4" (102mm) diameter pole, using mounting accessory. Supplied with 20ft of power cable.

Electrical: See remote LED driver options on page 3.

Finish: White or aluminum gray painted finish follows a double powder paint in 3 step process: surface treatment containing ceramic nanoparticles (Bonderite). Epoxy primer paint. Polyester powder paint with high resistance against UV rays and harsh weather conditions.

Weight: 9lbs (4.1kg).

EPA: 1.1ft² (0.1m²)

Warranty: 5 year limited warranty.

Ratings: IP66, IK10

Certification:  cULus listed for Wet location

ORDERING INFO

FIXTURE

MODEL

- S3070N** - 4000K, Asymmetrical **S3070W** - 3000K, Asymmetrical **S3075N** - 4000K, Symmetrical **S3075W** - 3000K, Symmetrical

MOUNTING

- POL** - Pole mounted

ELECTRICAL

- REM** - 24V remote power supply

FINISH

- 01** - White **14** - Aluminum gray

ACCESSORIES

(TO BE ORDERED SEPARATELY)

- S3044** - Single pole mount For tenon Ø3" (Ø76mm)
Dim: 7¾" x 6¾", H:1¼" (1.8lb)
Dim: 145 x 160, H:45mm (0.8kg)



- S3045** - Double pole mount For tenon Ø3" (Ø76mm)
Dim: 4¾" x 6¾", H:1¼" (1.5lb)
Dim: 120 x 160, H:45mm (0.7kg)



POLE Ø4" (Ø 102mm)

With tenon Ø3" (Ø76mm), H: Min: 3¼" (96mm)

- SUPPLIED BY OTHER**
Contact factory for pole details

- SUPPLIED BY SISTEMALUX**
Contact factory for pole details

HEIGHT: _____ FT

MODEL: Straight

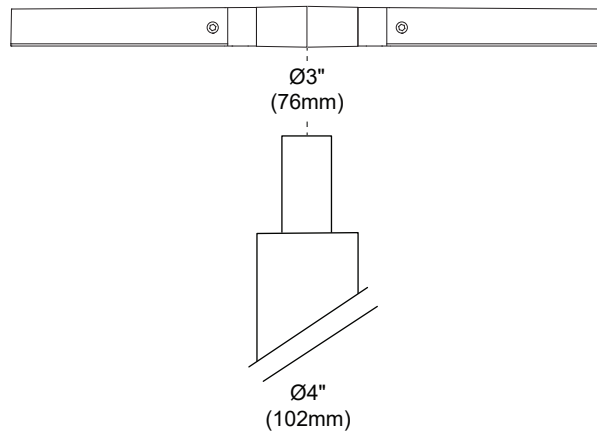
INSTALLATION: Anchor bolts

ACCESS DOOR: Included (3' from ground)

- MATERIEL: Aluminum
 Steel

- FINISH: 14 - Gray
 Custom RAL _____

MOUNTING

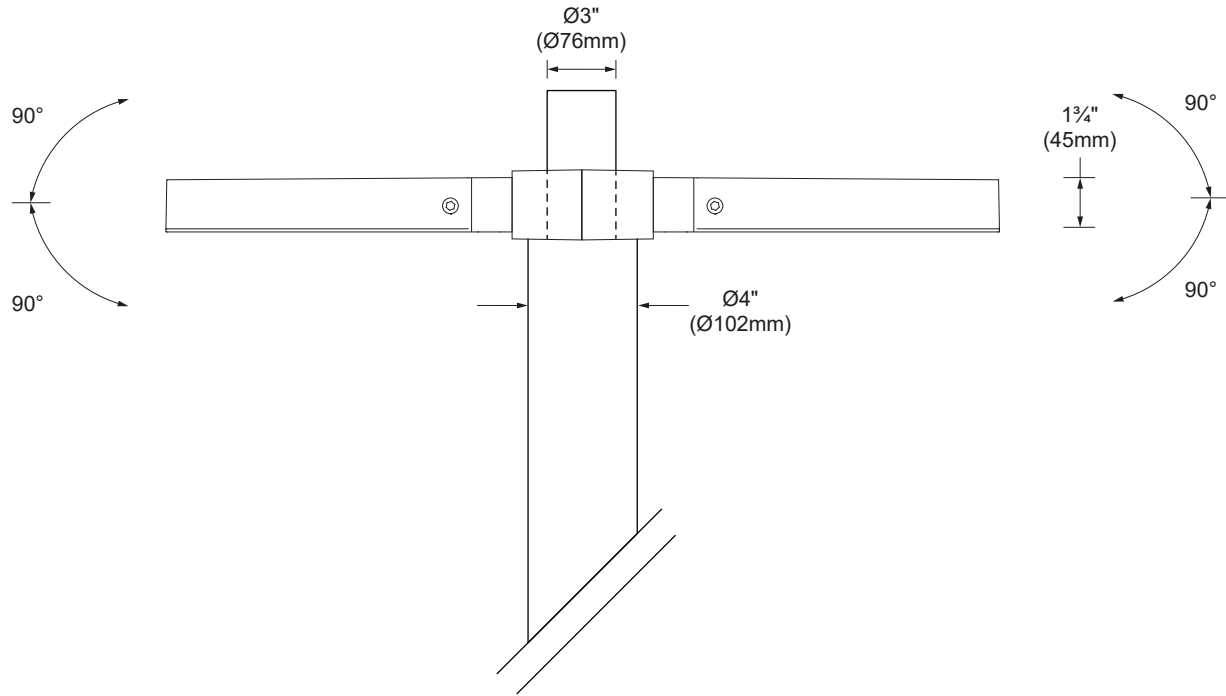


REMOTE LED DRIVER OPTIONS (TO BE ORDERED SEPARATELY)

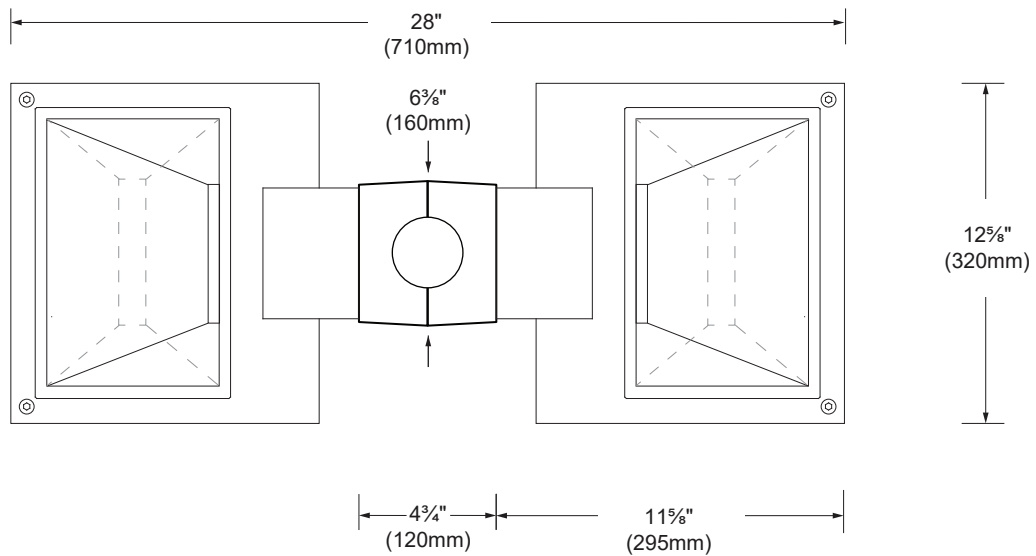
Requirement for one (1) fixture: 42W, 24V DC (Remote fixture only)

	Watts	Min- Max	Voltage	Rated	Dimming protocol	Box dimensions	Max distance 18AWG	Code
<input type="checkbox"/>	75	1	120-277V	Outdoor	None	11¼" X 3" X 1¼" (285 X 75 X 42mm)	30ft (9m)	4545-0024-075-UNV-ND
<input type="checkbox"/>	80	1	120V	Outdoor	Leading and trailing edge (ELV and TRIAC)	14" X 5" X 2" (356 X 127 X 51mm)	30ft (9m)	4551-0024-080-120-LTE
<input type="checkbox"/>	200	1-2 Per channel (Max 4)	120-277V	Outdoor	None	12" X 4½" X 2⅜" (305 X 114 X 60mm)	30ft (9m) Per channel	4546-0024-200-2C-UNV-ND

DIMENSIONS



SIDE VIEW

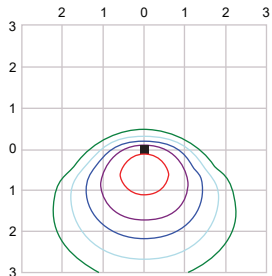


BOTTOM VIEW

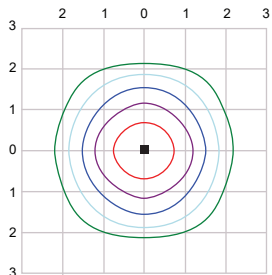
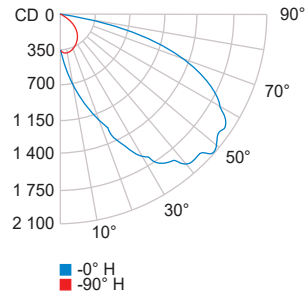
TECHNICAL DATA

Visit sistimalux.com for complete photometric data.

LOAD (W)	CCT (K)	CRI	OPTIC	LUMENS (lm)	EFFICACY (lm / w)	MAX CANDELA (cd)	MODELS
45.5W	4000K	90	Asymmetrical	2 935	65	2 170	S3070N
	3000K			2 795	61	2 077	S3070W
	4000K		Symmetrical	4 000	88	1 580	S3075N
	3000K			3 910	86	1 555	S3075W



3000K - 90 CRI - Asymmetrical



3000K - 90 CRI - Symmetrical

