



Pole mounted luminaire for urban lighting. Elegant minimal design blends in modern architectural environment. 360° light distribution ideal for pedestrian area and area lighting, asymmetric distribution can be achieved with the optional shield accessory.

Luminaire characteristics:

Power input: 63W
Lumens: Up to 3925lm (for 3000K 80CRI)
Luminaire efficacy: Up to 62lm/W

Source: White LED (LM-80 tested),
2700K: 80CRI
3000K: 80CRI,
4000K: 80CRI,

Lumen maintenance: 80% of initial lumens at 70 000 hours (L80), (LM79 tested).

Optics: 360° light distribution / Type V

Material: Body: Die-cast and extruded aluminum
Diffuser: 6mm thick clear toughened glass
Hardware: Stainless steel screws and silicone gaskets

Mounting: Install on pole Ø4" with tenon Ø3" x 4 3/8" H.
Supplied with an adapter ring and 3' (1m) long power cable.

Electrical: Integral high efficiency dimmable LED driver, rated 50 000 hours, 120-277V.

Dimming: Down to 10%, 0-10V (120-277V).

Finish: Aluminum or Anthracite gray (RAL7022) painted finish, following a double powder paint in 3 step process: surface treatment containing ceramic nano particles (Bonderite). Epoxy primer paint. Polyester powder paint with high resistance against UV rays and harsh weather conditions.

Weight: 30.6lb (13.9kg)

EPA: 1.5ft² (0.14m²)

Warranty: 5 year limited warranty.

Ratings: IP65, IK07

Certification:  cULus listed for wet location.

ORDERING INFO

- UNV -
FIXTURE



POLE MOUNTED MODELS

- S7050H** - 2700K **S7050W** - 3000K **S7050N** - 4000K

VOLTAGE

- UNV** - 120-277V

FINISH

- 14** - Aluminum gray **24** - Anthracite gray

DIMMING

- D10** - 0-10V (down to 15%)

POLE Ø4" (102mm)

With tenon Ø3", H: 4 3/8" (Ø76mm, H: 110mm)
Minimum internal diameter: 2" (51mm)

- SUPPLIED BY OTHER**
CONTACT FACTORY FOR POLE DETAILS

- SUPPLIED BY SISTEMALUX**
CONTACT FACTORY FOR POLE SPECIFICATION

HEIGHT: _____ FT

MODEL: Straight

INSTALLATION: Anchor bolts only

ACCESS DOOR: Included (3' from ground)

MATERIAL: Aluminum

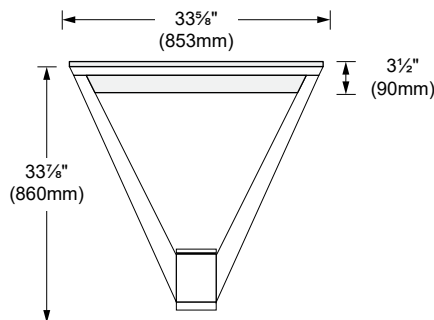
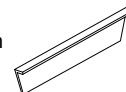
Steel

FINISH: 14 - Gray

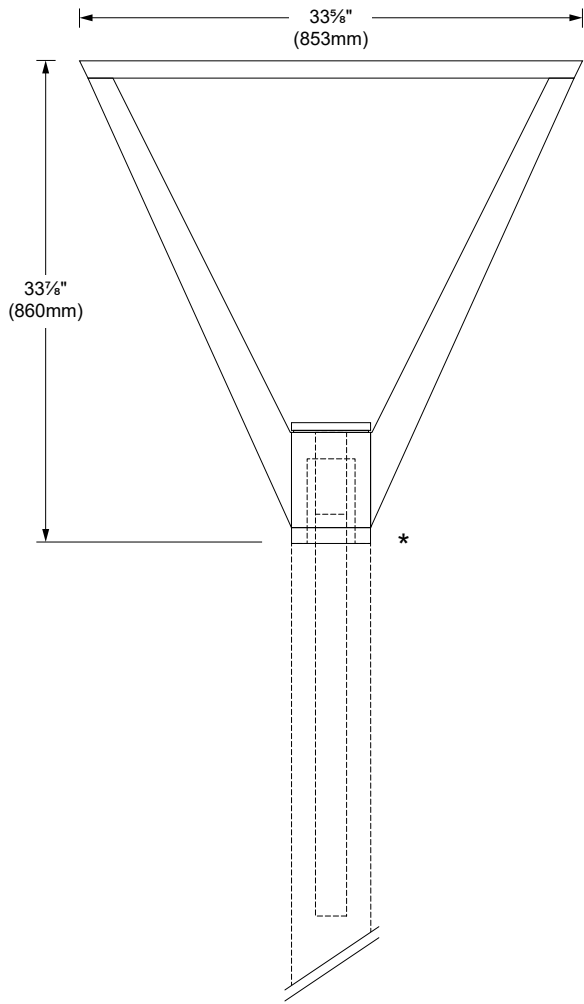
Custom RAL _____

ACCESSORY (TO BE ORDERED SEPARATELY)

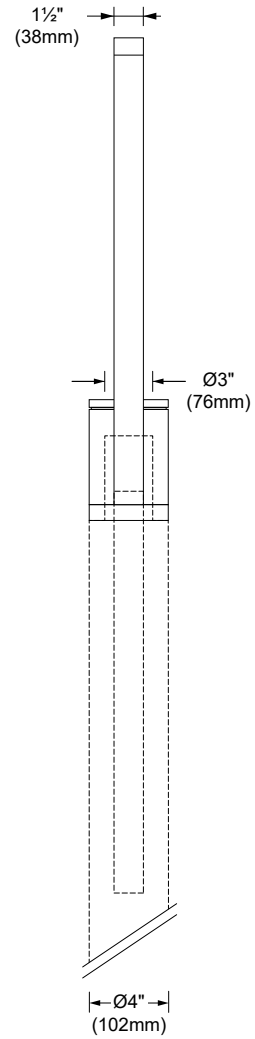
- S7059-14** - Aluminum asymmetric shield with aluminum gray painted finish
- S7059-24** - Aluminum asymmetric shield with anthracite gray painted finish



DIMENSIONS



FRONT VIEW



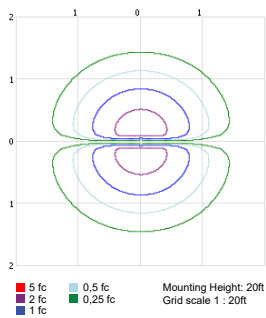
SIDE VIEW

* Included LED driver is located inside the pole, 2" (51mm) minimum internal diameter required.

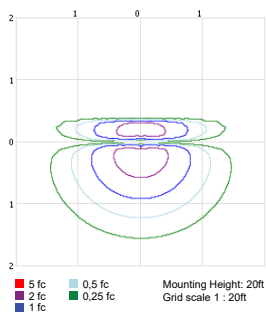
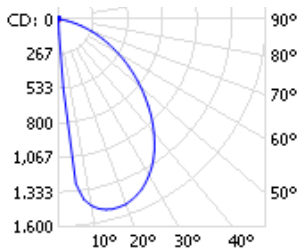
PHOTOMETRIC DATA

Visit sisternalux.com for complete photometric data.

LOAD (W)	CCT (K)	CRI	OPTIC	LUMENS (lm)	EFFICACY (lm / w)	MAX CANDELA (cd)	MODELS
63W	3000K	80	360° / Type V	3925	62	1528	S7050W
				2910	46	1600	S7050W + Asymmetric shield



3000K - 80 CRI - 360° / Type V



3000K - 80 CRI - 360° / Type V
With asymmetric shield accessory

