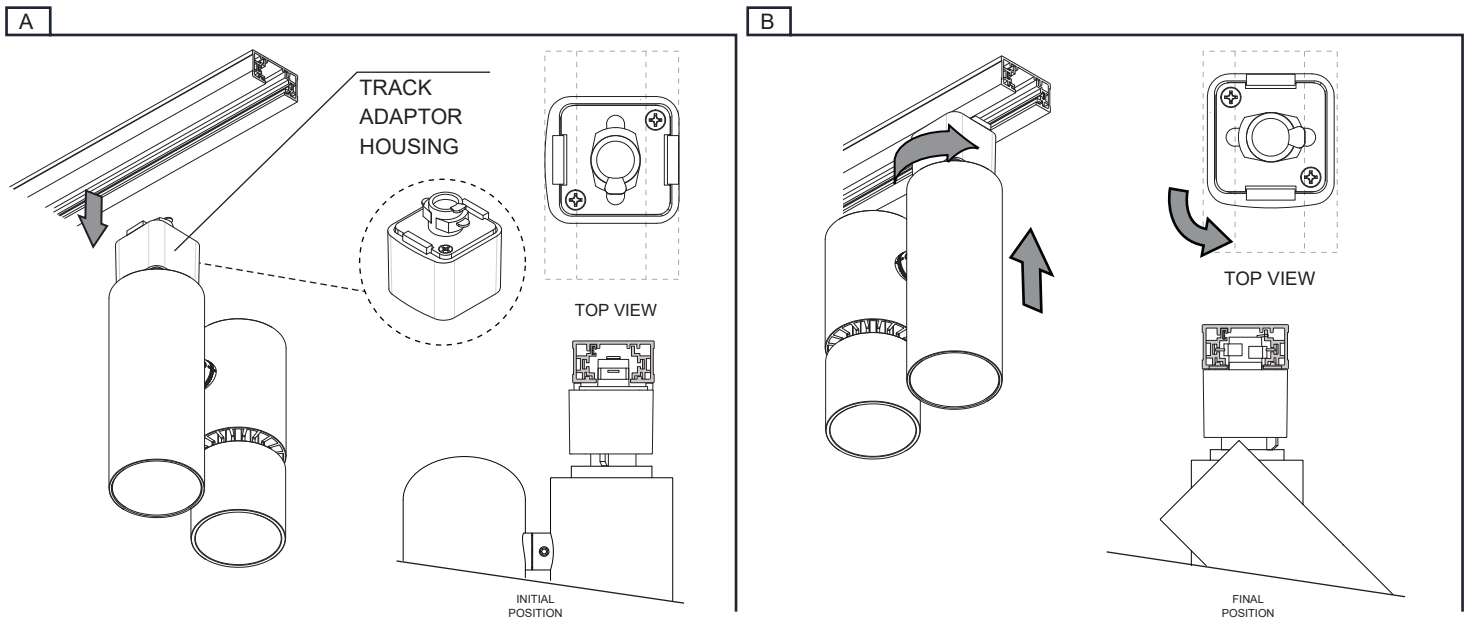


**IMPORTANT** - READ CAREFULLY BEFORE INSTALLING FIXTURE. RETAIN THESE INSTRUCTIONS FOR FUTURE REFERENCE.  
THIS PRODUCT MUST BE INSTALLED IN ACCORDANCE WITH THE NATIONAL ELECTRICAL CODE AND ALL APPLICABLE LOCAL CODES, BY A PERSON FAMILIAR WITH THE CONSTRUCTION AND OPERATION OF THE PRODUCT, AND THE HAZARDS INVOLVED. PROPER GROUNDING IS REQUIRED FOR SAFETY.

**INSTALLING PROJECTOR ON ONE CIRCUIT TRACK (120V)**

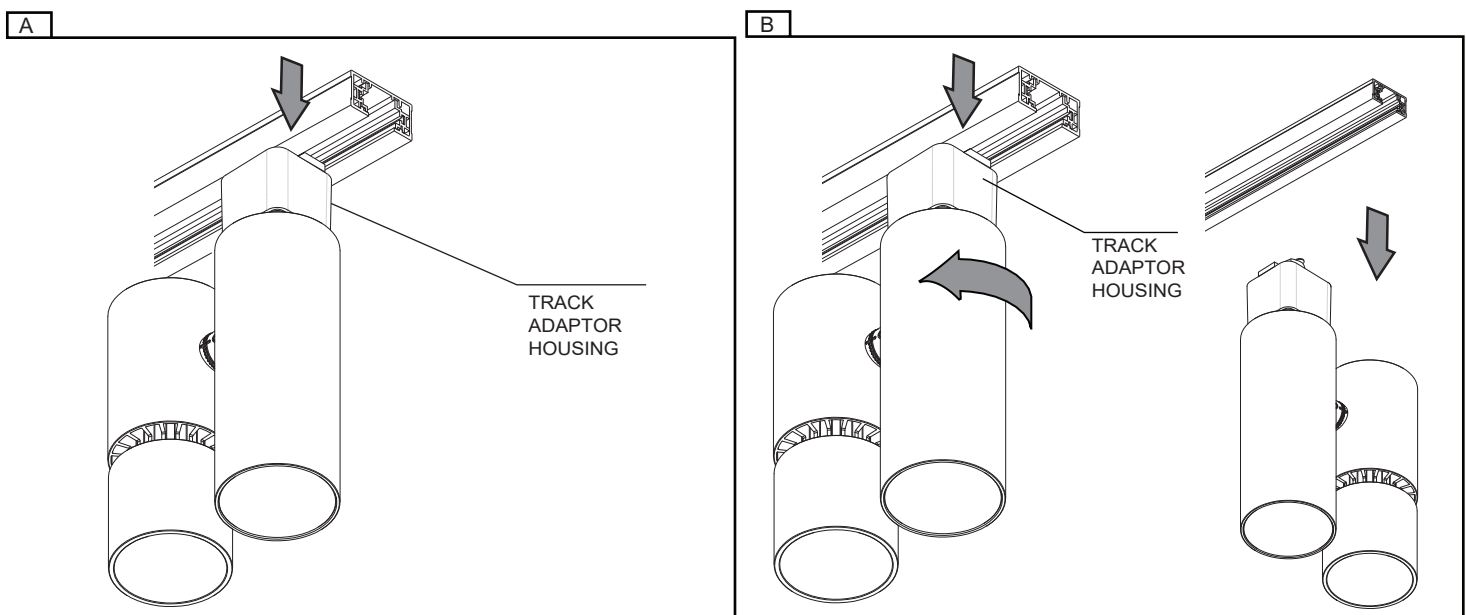
FOR USE WITH **SISTEMALUX 8000 SERIES, OR SISTEMALUX 8000-S1 SERIES** TRACK SYSTEM ONLY (120V).

- A - PULL THE ADAPTOR HOUSING DOWN TO INSERT IN THE TRACK FOLLOWING INITIAL POSITION SHOWN BELOW.
- B - PUSH THE PROJECTOR INTO TRACK AND ROTATE THE TRACK ADAPTOR A QUARTER TURN IN THE PROPER DIRECTION IN ORDER TO ALLOW ELECTRICAL BOUNDING. MAKE SURE THE ADAPTOR IS LOCKED IN PLACE, FOLLOWING FINAL POSITION SHOWN BELOW.



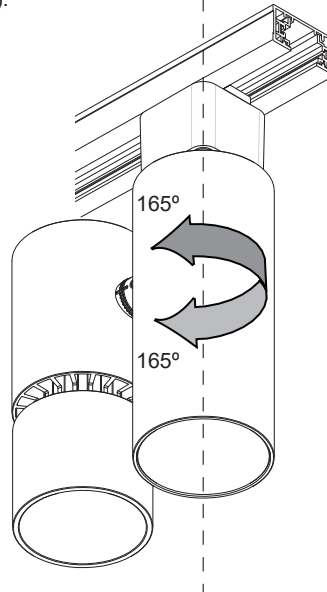
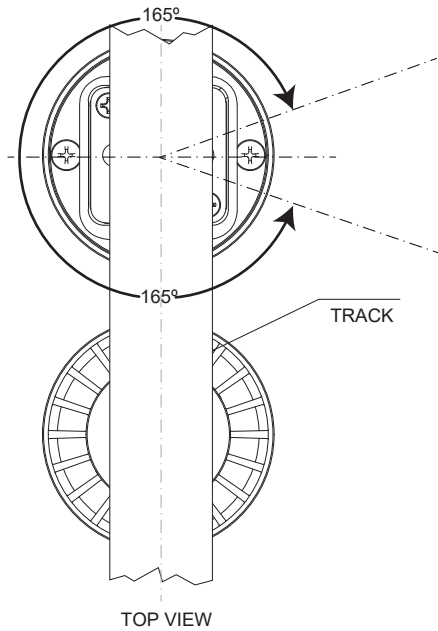
**REMOVING PROJECTOR FROM TRACK**

- A - PULL DOWN THE TRACK ADAPTOR HOUSING TO UNLOCK IT FROM THE TRACK SLOT.
- B - HOLDING THE TRACK ADAPTOR HOUSING DOWN, ROTATE A QUARTER TURN IN ANY DIRECTION AND PULL DOWN THE PROJECTOR TO REMOVE IT FROM THE TRACK.



**PAN ANGLE POSITION**

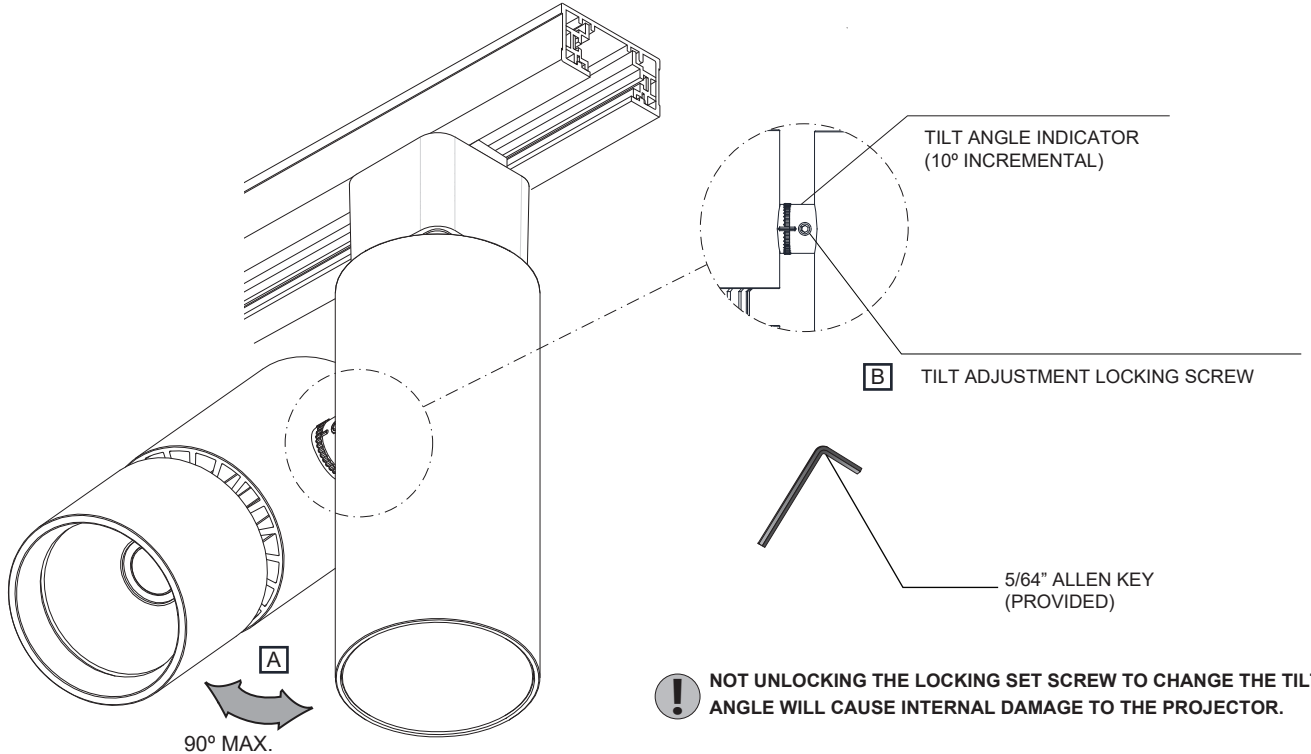
SET THE DESIRED PAN POSITION (MAXIMUM OF 330° AXIAL ROTATION).



**TILT ANGLE POSITION**

A- SET THE DESIRED TILT POSITION (MAXIMUM OF 90° AXIAL ROTATION).

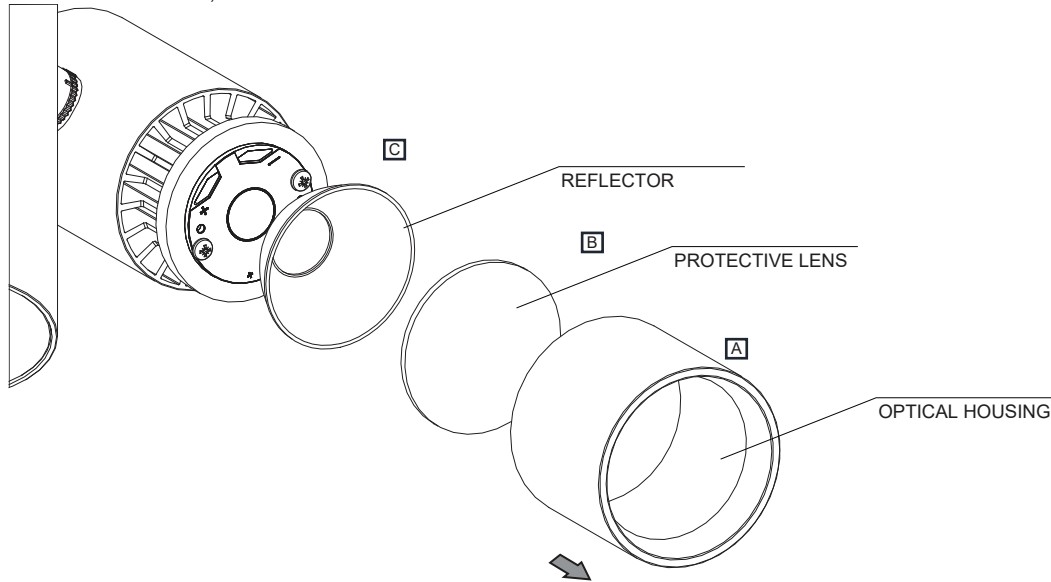
B- LOCK THE POSITION WITH THE TILT ADJUSTMENT LOCKING SCREW, USING THE 5/64" ALLEN KEY PROVIDED.



**!** NOT UNLOCKING THE LOCKING SET SCREW TO CHANGE THE TILT ANGLE WILL CAUSE INTERNAL DAMAGE TO THE PROJECTOR.

**REPLACING OPTIC FOR REFLECTOR MODELS**

- A- REMOVE OPTICAL HOUSING BY ROTATING COUNTERCLOCKWISE.
- B- LEAVE THE PROTECTIVE LENS IN THE OPTICAL HOUSING.
- C- REMOVE OLD REFLECTOR AND INSERT THE NEW ONE INTO THE OPTICAL HOUSING.
- D- RE-INSTALL THE PROTECTIVE LENS, OPTICAL HOUSING AND REFLECTOR TOGETHER BY ROTATING CLOCKWISE.



**ACCESSORIES**

- A- TO REPLACE OR ADD AN ACCESSORY, REMOVE OPTICAL HOUSING BY ROTATING IT COUNTERCLOCKWISE.
  - B- INSERT ONE OR MORE ACCESSORIES INTO THE OPTIC HOUSING.
  - C- RE-INSTALL THE ACCESSORIES AND OPTICAL HOUSING TOGETHER BY ROTATING CLOCKWISE.
- (A MAXIMUM OF 3 ACCESSORIES IN COMBINATION)

