
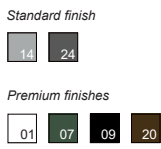


Ground mounted bollard suitable for walkways and paths, being a valid alternative to a wall recessed illumination.

|                                   |   |
|-----------------------------------|---|
| <b>Luminaire characteristics:</b> | Power input: 10.2W<br>Lumens: 150lm (for 3000K 90CRI)<br>Luminaire efficacy: Up to 15lm/W   |
| <b>Source:</b>                    | LED Module<br>2700K: 90CRI,<br>3000K: 90CRI,<br>4000K: 80CRI.   |
| <b>Lumen maintenance:</b>         | 80% of initial lumens at 70 000 hours (L80 B10) T77° (25°)<br>80% of initial lumens at 50 000 hours (L80 B10) T104° (40°) (LM-80)   |
| <b>Optics:</b>                    | Accent light  |
| <b>Material:</b>                  | Body: Die-cast and extruded aluminum<br>Diffuser: Clear reeded polycarbonate<br>Hardware: Stainless steel screws and silicone gaskets   |
| <b>Mounting:</b>                  | Install with flange accessory or fasten to ground   |
| <b>Electrical:</b>                | High efficiency electronic LED driver. Rated 50 000 hours, 120V-277V  |
| <b>Dimming:</b>                   | 0-10V (120-277V), down to 5%.   |
| <b>Finish:</b>                    | Aluminum and anthracite gray painted finish.<br>Double powder paint coat in 3 steps process: surface treatment containing ceramic nano particles (Bonderite). Epoxy primer paint. Polyester powder paint with high resistance against UV rays and harsh weather conditions. See page 2 for other custom finishes available. |
| <b>Weight:</b>                    | 9.9lb (4.5kg)   |
| <b>Warranty:</b>                  | 5 year limited warranty   |
| <b>Ratings:</b>                   | IP65, IK10  |
| <b>Certification:</b>             |  cULus listed for wet location.  |



## ORDERING INFO

CLICK HERE



CONFIGURE



PRODUCT CODE

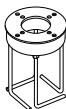
|  |  |  |  |
|--|--|--|--|
|  |  |  |  |
|--|--|--|--|

| MODEL                          | LED                      | VOLTAGE                | FINISH                        | DIMMING             |
|--------------------------------|--------------------------|------------------------|-------------------------------|---------------------|
| <b>S5314</b><br>Minicubiks 550 | <b>H</b><br>2700K, 90CRI | <b>UNV</b><br>120-277V | <b>14</b><br>Gray             | <b>D10</b><br>0-10V |
|                                | <b>W</b><br>3000K, 90CRI |                        | <b>24</b><br>Anthracite gray  |                     |
|                                | <b>N</b><br>4000K, 80CRI |                        | <i>PREMIUM</i>                |                     |
|                                |                          |                        | <b>01</b><br>White            |                     |
|                                |                          |                        | <b>07</b><br>Green            |                     |
|                                |                          |                        | <b>09</b><br>Black            |                     |
|                                |                          |                        | <b>20</b><br>Burnished bronze |                     |

## ACCESSORIES

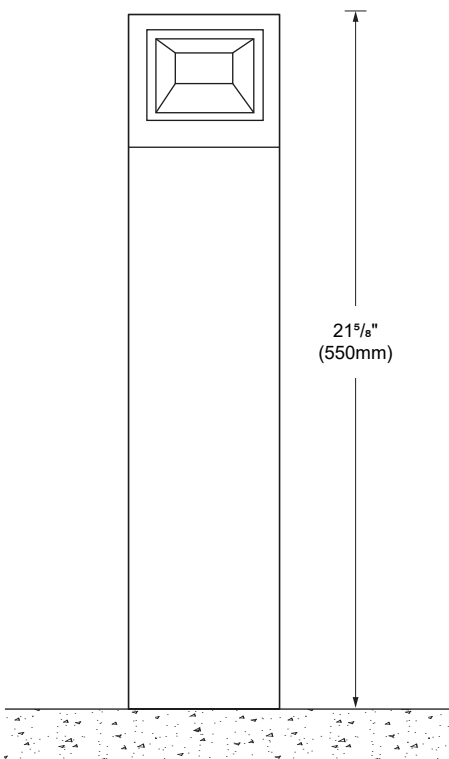
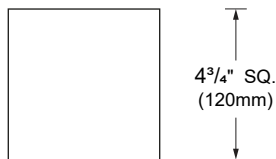
(TO BE ORDERED SEPARATELY)

- S6309** - Flange with stainless steel screws  
 Ø 4<sup>3</sup>/<sub>4</sub>" x H: 6<sup>1</sup>/<sub>2</sub>"  
 (Ø 120mm x H: 165mm)  
 (To be installed in concrete)



**DIMENSIONS**

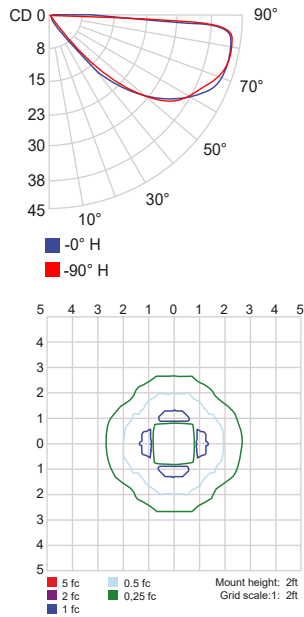
**S5314**  
Minicubiks 550mm



**PHOTOMETRIC DATA**

| CCT<br>(K) | CRI | LOAD<br>(K ) | OPTIC        | LUMENS<br>(lm) | EFFICACY<br>(lm / W) | MAX CANDELA<br>(cd) | B.U.G        | MODELS         |
|------------|-----|--------------|--------------|----------------|----------------------|---------------------|--------------|----------------|
| 3000K      | 90  | 10.2W        | Accent light | 150            | 15                   | 43                  | B0 - U1 - G1 | S5314W - 550mm |

Accent light 550 (3000K, 90CRI)



|                   |             |          |             |
|-------------------|-------------|----------|-------------|
| CCT options       | 2700K       | 3000K    | 4000K       |
| CRI options       | 90CRI       | 90CRI    | 80CRI       |
| <b>Multiplier</b> | <b>0.92</b> | <b>1</b> | <b>1.08</b> |