

Wall mounted luminaire with excellent light control characteristics, gives improved lighting design solutions and precision with glare-free effects outside the declared angle of light emission.

**Luminaire characteristic:**

**Power input:** 21.5W  
**Lumens:** 1 269lm to 1 488lm (for 3000K, 90CRI)  
**Luminaire efficacy:** 69lm/W

**Source:** White LED (LM-80),  
2700K: 90CRI,  
3000K: 90CRI,  
4000K: 80CRI.  
**Lumen maintenance:** 70% of initial lumens at 50 000 hours (L80)(LM-79)

**Optic:** Available in spot and flood.

**Material:** Body and End caps: Die-cast aluminum  
Reflector: 99.98% pure anodized aluminum  
Diffuser: Clear toughened glass  
Hardware: Stainless steel screws and silicone gasket.

**Mounting:** Installed on standard 4" octagonal junction box.

**Electrical:** Integral high efficiency LED driver, rated at 50 000 hours. 120V-277V.

**Dimming:** Down to 10%, 0-10V (120-277V).

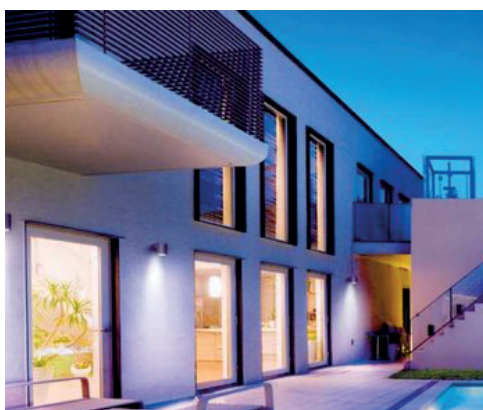
**Finish:** White, aluminum gray or anthracite gray (RAL7022) painted finish, following a double powder paint in 3 step process: surface treatment containing ceramic nano particles (Bonderite). Epoxy primer paint. Polyester powder paint with high resistance against UV rays and harsh weather conditions.

**Weight:** 6.2lb (2.8kg)

**Warranty:** 5 year limited warranty.

**Ratings:** IP65, IK06

**Certification:**  cULus listed for wet location.



**ORDERING INFO**

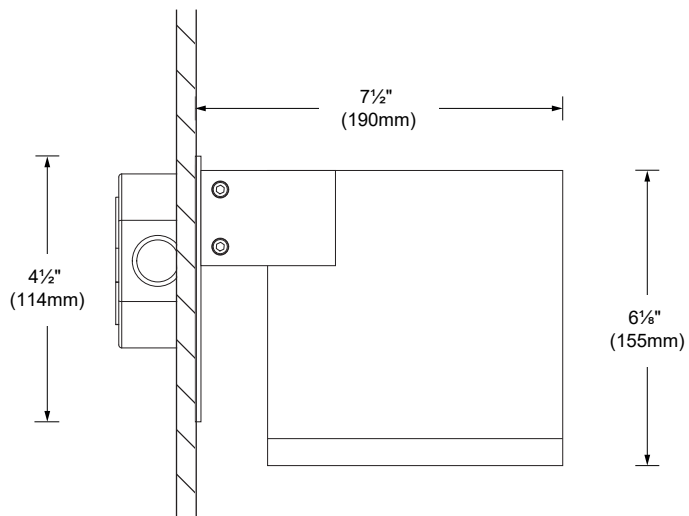


PRODUCT CODE

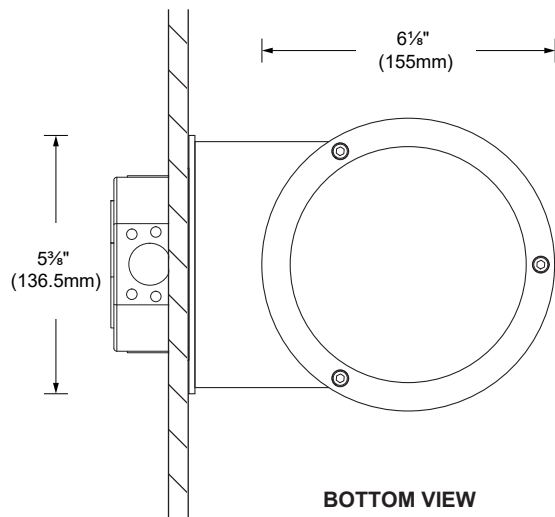
--	--	--	--	--

MODEL	LED	VOLTAGE	FINISH	DIMMING
<b>S6689</b> SPOT 12°	<b>H</b> 90 CRI, 2700K	<b>UNV</b> 120-277V	<b>01</b> WHITE	<b>D10</b> 0-10V (down to 10%)
<b>S6680</b> FLOOD 31°	<b>W</b> 90 CRI, 3000K		<b>14</b> ALUMINUM GRAY	
	<b>N</b> 80 CRI, 4000K		<b>24</b> ANTHRACITE GRAY	

**DIMENSIONS**



**SIDE VIEW**



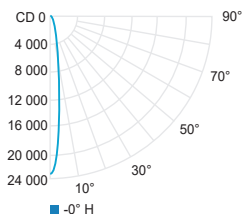
**BOTTOM VIEW**

**PHOTOMETRIC DATA**

Visit [sistimalux.com](http://sistimalux.com) for complete photometric data.

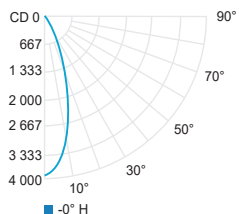
CCT (K)	CRI	LOAD (W)	OPTIC	LUMENS (lm)	EFFICACY (lm/w)	MAX CANDELA (cd)	MODELS
3000K	90	21.5W	Spot 12°	1 488	69	23 730	S6689W
			Flood 31°	1 269	59	3 942	S6680W

Spot 12° (3000K, 90CRI)



Center beam fc	Beam width ft
2ft	5 933
4ft	1 483
6ft	659
8ft	371
10ft	237
12ft	165

Flood 31° (3000K, 90CRI)



Center beam fc	Beam width ft
2ft	986
4ft	246
6ft	110
8ft	61.6
10ft	39.4
12ft	27.4

CCT options	2700K	3000K	4000K
CRI options	90CRI	90CRI	80CRI
<b>Multiplier</b>	<b>0.99</b>	<b>1</b>	<b>1.06</b>