

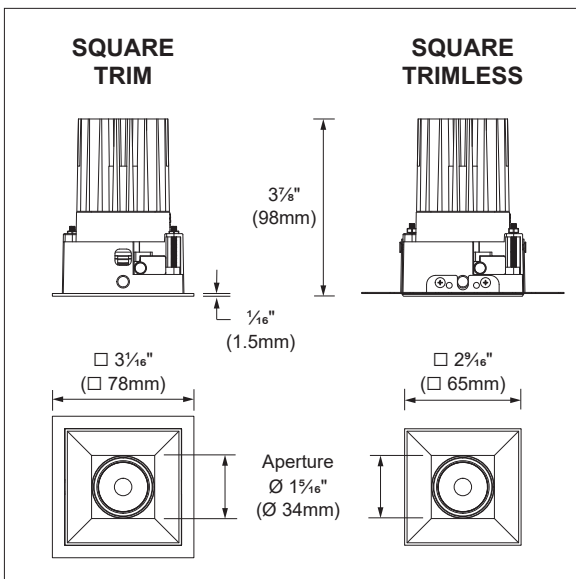
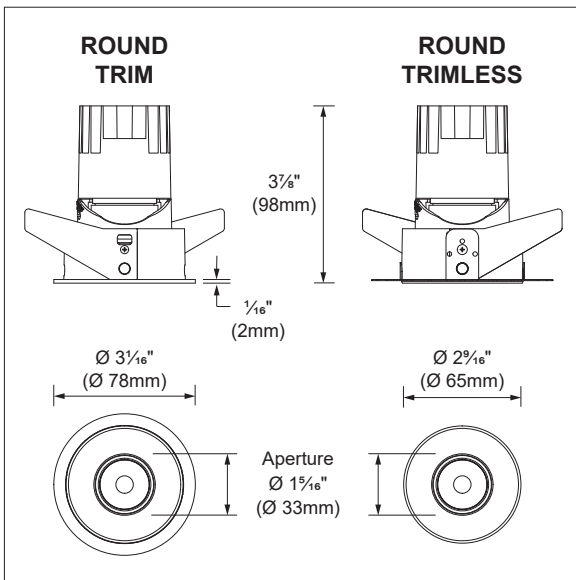
OPTIC	BEAM ANGLE	SYSTEM POWER** (W)	OUTPUT (Nominal Luminous Flux)	LUMENS* (lm)	EFFICACY (lm/W)	MAX CANDELA* (cd)
Narrow Spot	10°	11	04 (480 lm)	484	43	7 900
Narrow Flood	30°	14.5	15 (1500 lm)	1 525	105	4 004
Flood	40°			1 549	106	3 133
Wide Flood	50°			1 535	105	1 962
Very Wide Flood	60°			1 476	101	1 439

* Based on round (R) shape, trim (T) mounting at 3000K, 90CRI

** System power corresponds to the maximum measured value considering the Power Factor.

For Non-IC (RF and NC installations), the system power (W) may increase by up to an additional 2W. Accordingly, the efficacy may vary depending on the resulting system power.

Source:	COB LED module 2700K: 90CRI 3000K: 90CRI 3500K: 90CRI 4000K: 90CRI
Lumen maintenance:	90% of initial lumens at 50 000 hours (L90, LM-80)
Optic:	Deep recessed adjustable lens available with different optics. Optical assembly hot-aiming adjustment — 30° tilt and 355° pan.
Material:	<i>Body:</i> Die-cast aluminum optical assembly <i>Lens:</i> Optical-Grade PMMA <i>Baffle:</i> Painted polycarbonate
Mounting:	<i>Cut-out:</i> • Round - Ø2 3/4" - Ø2 1/8" (Ø70mm - Ø73mm) • Square - □2 1/4" - □2 1/8" (□68mm - □70mm) Remodel New construction with plaster frame New construction with housing for insulated ceiling or Chicago Plenum (See page 3-4 for details)
Electrical:	Integral high efficiency LED driver rated at 50 000 hours, 120V or 277V
Dimming:	Leading edge (TRIAC) and trailing edge (ELV) (120V only), down to 5%. 0-10V (120-277V), down to 1%. DALI (120-277V), down to 1%. Casambi (120-277V), down to 1%.
Finish:	Powder coated body and baffle (See page 2 for details)
Weight:	0.57lbs (0.26kg)
Warranty:	5 year limited warranty
Rating:	IP20
Certification:	cULus listed for damp location. Interior use only.



ORDERING INFO

[CLICK HERE](#)



CONFIGURE



PRODUCT CODE

INSTALLATION CODE (SEE PAGE 3-4)

MODEL	SHAPE	MOUNTING	INSTALLATION	OUTPUT**	LED	OPTIC	VOLTAGE	FINISH (trim finish / baffle finish)	DIMMING***	
LOGP3 LOGO PRO 3	R Round	T Trim	RF Remodel	04 ² 480 lm (11W*)	927 2700K, 90CRI	XNS ³ Adjustable / Fix, Narrow spot (10°)	120 120V	White trim	Trimless	RF, NC (INSTALLATION)
	S Square	L Trimless Mud	NC New construction	11 1100 lm (11W*)				930 3000K, 90CRI		
		M ¹ Trimless Millwork	IC Insulated ceiling housing	13 1300 lm (13W*)	935 3500K, 90CRI	XNF Adjustable / Fix, Narrow flood (30°)	UNV ⁵ 120-277V	13 White / matte anodized	51 Matte anodized	D10 0-10V (down to 1%)
			CP Chicago Plenum housing	15 1500 lm (14.5W*)	940 4000K, 90CRI	XFL Adjustable / Fix, Flood (40°)		41 ¹ White / gold	43 ¹ Gold	DA ¹ DALI (down to 1%)
						XWF Adjustable / Fix, Wide flood (50°)		E4 ¹ White / chrome	04 ¹ Chrome	277V
						XVW Adjustable / Fix, Very wide flood (60°)		E7 ¹ White / black chrome	E6 ¹ Black chrome	D10 0-10V (down to 1%)
								E9 ¹ White / gold matte	E8 ¹ Gold matte	DA ¹ DALI (down to 1%)
								Black trim		IC, CP (INSTALLATION)
								23 Black / white		120V
								02 Black / black		LTE ⁶ Leading and Trailing edge dimming (down to 5%)
								33 Black / matte anodized		UNV
								42 ¹ Black / gold		D10 0-10V (down to 1%)
								F3 ¹ Black / chrome		DA ¹ DALI (down to 1%)
								F1 ¹ Black / black chrome		WIRELESS CONTROL
								F4 ¹ Black / gold matte		120V or 277V
										CAS ⁷ Casambi connectivity (down to 1%)

ACCESSORY
(TO BE ORDERED SEPARATELY)

- Interchangeable lens with *Twist & Lock* design
- Will be available soon.



⁽¹⁾ May require a longer lead time than standard. Please contact customer service for details.

⁽²⁾ Available only for adjustable/fix narrow spot (**XNS**) optic.

⁽³⁾ Available only for 450 lm (**04**) output.

⁽⁴⁾ Available only for remodel (**RF**) and new construction (**NC**) installation.

⁽⁵⁾ Available only for Insulated ceiling housing (**IC**) and Chicago Plenum housing (**CP**) installation.

⁽⁶⁾ Available for daisy chain connections.

⁽⁷⁾ Will be available soon for remodel (**RF**) and new construction (**NC**) installation, except for adjustable/fix narrow spot (**XNS**) optic. Please contact customer service for details.

* For Non-IC (**RF** and **NC** installations), the system power (**W**) may increase by up to an additional 2W.

** Nominal Luminous Flux value at 3000K, 90CRI. Actual performance may vary depending on the installation conditions.

*** Dimming levels will vary depending on the dimmer used and the number of luminaires on the line.

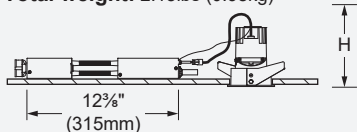
INSTALLATION

(TO BE ORDERED SEPARATELY)

Remodel (RF)

Versatile fixture for new or existing ceiling structure. Suitable for non-insulated ceiling like sheetrock or paneling. Fixture is ready for remodeling installation. Trimless frame kit can be shipped separately.

Total weight: 2.15lbs (0.98kg)



Ceiling thickness

- Trim (Round): 3/16" - 1" (5 - 25mm)
- Trim (Square): 1/16" - 1" (1 - 25mm)
- Trimless Mud (Round): 3/16" - 1" (5 - 25mm)
- Trimless Mud (Square): 1/16" - 1" (1 - 25mm)
- Trimless Millwork (Round): 1/16" - 7/8" (2 - 22.5mm)
- Trimless Millwork (Square): 1/2" - 7/8" (12.5 - 22.5mm)

*Can be installed from below the ceiling.

Model	Shape	Mounting	Trimless frame	Cut-out dimensions	Clearance (H)
LOGO PRO 3	Round	Trim		Ø 2 3/4" (Ø 70mm)	6 5/16" (160mm)
		Trimless Mud	TK-LOGP3RL-RF*	Ø 2 7/8" (Ø 73mm)	7 3/4" (197mm)
		Trimless Millwork	TK-LOGP3RM-RF*	Ø 2 7/8" (Ø 73mm)	7 3/4" (197mm)
	Square	Trim		2 1/16" x 2 1/16" (68 x 68mm)	6 5/16" (160mm)
		Trimless Mud	TK-LOGP3SL-RF*	2 3/4" x 2 3/4" (70 x 70mm)	7 3/4" (197mm)
		Trimless Millwork	TK-LOGP3SM-RF*	2 1/16" x 2 1/16" (68 x 68mm)	7 3/4" (197mm)

New construction with plaster frame (NC)

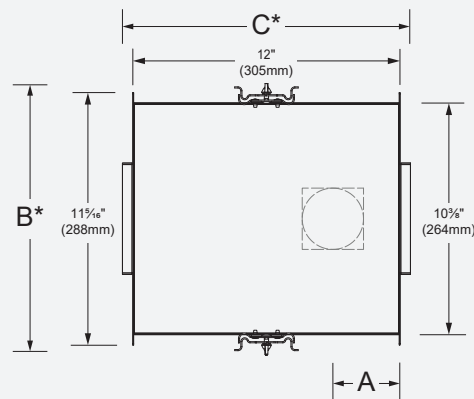
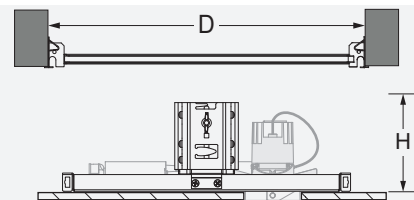
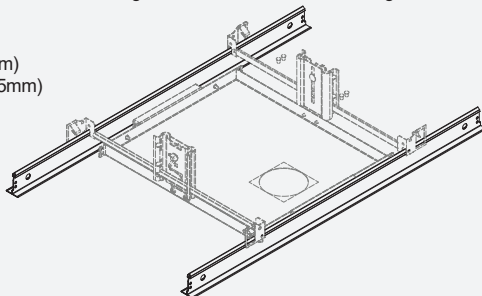
Plaster frame with hanger bars system to be installed during rough-in phase. Suitable for non-insulated new construction ceiling assemblies, like sheetrock, or paneling. Plaster frame and trim can be shipped separately.

Total weight: 3.35lbs (1.52kg)

Ceiling thickness

- Trim (Round): 3/16" - 1 5/16" (5 - 24mm)
- Trim (Square): 1/16" - 1 9/16" (1 - 24mm)
- Trimless Mud (Round): 3/16" - 1 5/16" (5 - 24mm)
- Trimless Mud (Square): 1/16" - 1 5/16" (1 - 24mm)
- Trimless Millwork (Round): 1/16" - 7/8" (2 - 21.5mm)
- Trimless Millwork (Square): 1/2" - 7/8" (12.5 - 21.5mm)

Hanger bars suitable for Grid ceiling



Model	Shape	Mounting	Plaster frame	Cut-out dimensions	Cut-out position (A)	Max overall dimensions (B*xC*)	Hanger bars (D)	Clearance (H)
LOGO PRO 3	Round	Trim	BN-LOGP3RT-NC	Ø 2 3/4" (Ø 70mm)	3" (76.5mm)	12 1/4" x 12 15/16" (311 x 328mm)	14 1/4" to 26" (362 to 660mm)	6 5/16" (160mm)
		Trimless Mud	BN-LOGP3RL-NC	Ø 2 7/8" (Ø 73mm)				7 3/4" (197mm)
		Trimless Millwork	BN-LOGP3RM-NC	Ø 2 7/8" (Ø 73mm)				7 3/4" (197mm)
	Square	Trim	BN-LOGP3ST-NC	2 1/16" x 2 1/16" (68 x 68mm)				6 5/16" (160mm)
		Trimless Mud	BN-LOGP3SL-NC	2 3/4" x 2 3/4" (70 x 70mm)				7 3/4" (197mm)
		Trimless Millwork	BN-LOGP3SM-NC	2 1/16" x 2 1/16" (68 x 68mm)				7 3/4" (197mm)

*Provide a minimum of 1 7/8" (47mm) on each side for the hanger bar fixations

INSTALLATION
(TO BE ORDERED SEPARATELY)

New construction with housing suitable for insulated ceiling (IC) or Chicago Plenum (CP)

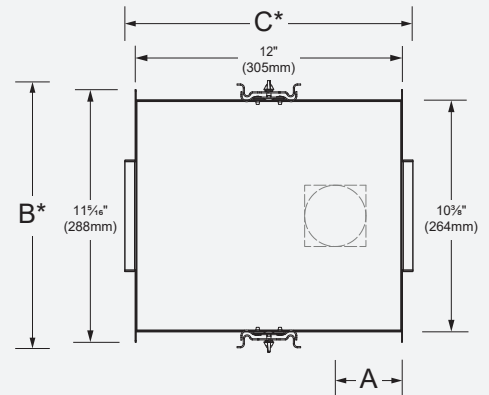
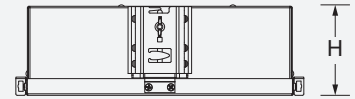
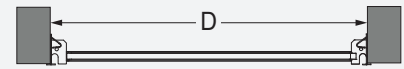
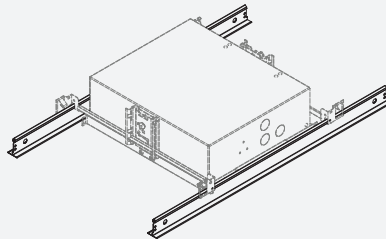
Housing with hanger bars system for new construction installations. Suitable for insulated ceiling or Chicago Plenum applications. Housing and trim can be shipped separately.

Total weight: 6.8lbs (3.1kg)

Ceiling thickness

- Trim (Round): 3/16" - 15/16" (5 - 24mm)
- Trim (Square): 1/8" - 15/16" (1 - 24mm)
- Trimless Mud (Round): 3/16" - 15/16" (5 - 24mm)
- Trimless Mud (Square): 1/8" - 15/16" (1 - 24mm)
- Trimless Millwork (Round): 1/8" - 7/8" (2 - 21.5mm)
- Trimless Millwork (Square): 1/2" - 7/8" (12.5 - 21.5mm)

Hanger bars suitable for Grid ceiling



Model	Shape	Mounting	Housing	Cut-out dimensions	Cut-out position (A)	Max overall dimensions (B*xC*)	Hanger bars (D)	Clearance (H)
LOGO PRO 3	Round	Trim	BI-LOGP3RT-IC	Ø 2 3/4" (Ø 70mm)	3" (76.5mm)	12 1/4" x 12 15/16" (311 x 328mm)	14 1/4" to 26" (362 to 660mm)	4" (100mm)
			BI-LOGP3RT-CP					4" (100mm)
		Trimless Mud	BI-LOGP3RL-IC	Ø 2 7/8" (Ø 73mm)				6 1/2" (165mm)
			BI-LOGP3RL-CP					6 1/2" (165mm)
		Trimless Millwork	BI-LOGP3RM-IC	Ø 2 7/8" (Ø 73mm)				6 1/2" (165mm)
			BI-LOGP3RM-CP					6 1/2" (165mm)
	Square	Trim	BI-LOGP3ST-IC	2 11/16" x 2 11/16" (68 x 68mm)	4" (100mm)			
			BI-LOGP3ST-CP		4" (100mm)			
		Trimless Mud	BI-LOGP3SL-IC	2 3/4" x 2 3/4" (70 x 70mm)	6 1/2" (165mm)			
			BI-LOGP3SL-CP		6 1/2" (165mm)			
Trimless Millwork	BI-LOGP3SM-IC	2 11/16" x 2 11/16" (68 x 68mm)	6 1/2" (165mm)					
	BI-LOGP3SM-CP		6 1/2" (165mm)					

*Provide a minimum of 1 1/8" (47mm) on each side for the hanger bar fixations

MODEL

ROUND TRIM



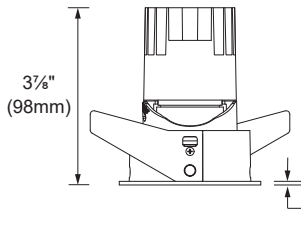
ROUND TRIMLESS



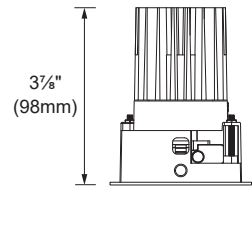
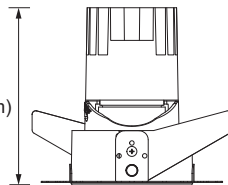
SQUARE TRIM



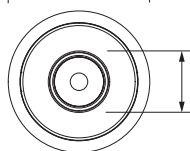
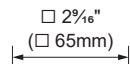
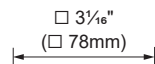
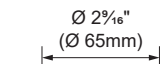
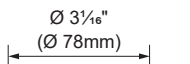
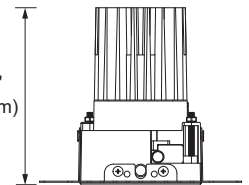
SQUARE TRIMLESS



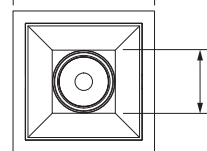
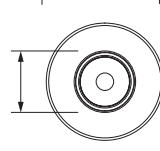
1/16"
(2mm)



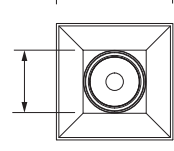
1/16"
(1.5mm)



Aperture
Ø 1 1/8"
(Ø 33mm)

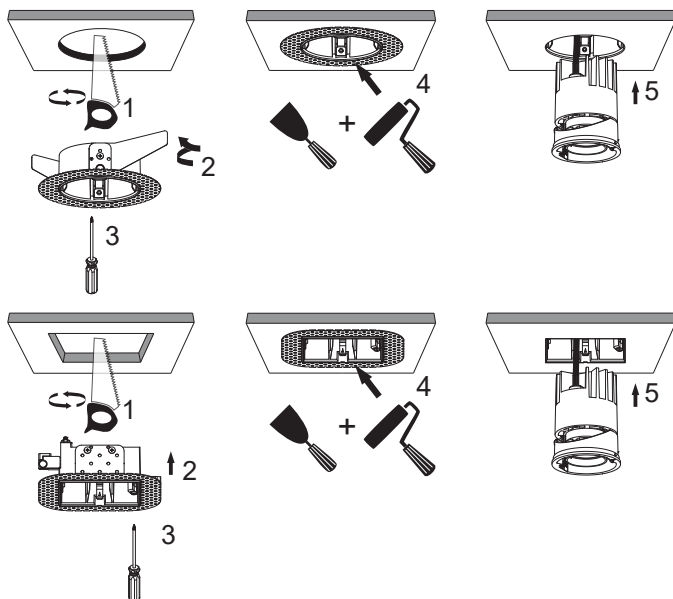


Aperture
Ø 1 1/8"
(Ø 34mm)



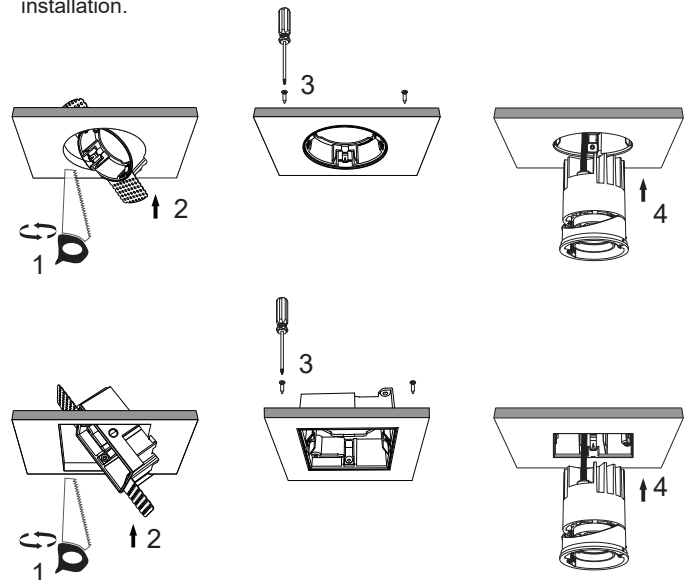
TRIMLESS MUD FRAME KIT

Trimless mud frame kit to be fastened to the gypsum board. The assembly is then finished by plastering, sanding and painting. Install the luminaire inside the opening once painting is completed. The kit is sold separately for retrofit installation or supplied with the plaster frame or the housing for new construction installations.



TRIMLESS MILLWORK FRAME KIT

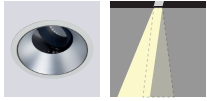
Trimless millwork frame kit to be fastened to the ceiling. Install the luminaire inside the opening once the trimless millwork frame kit installation is completed. The kit is sold separately for retrofit installation or supplied with the plaster frame for new construction installation.



PHOTOMETRIC DATA ¹

Visit sistemalux.com for complete photometric data.

ADJUSTABLE / FIX



CCT (K)	CRI	SYSTEM POWER* (W)	OUTPUT (Nominal Luminous Flux)	OPTIC	LUMENS ² (lm)	EFFICACY (lm/w)	MAX CANDELA ² (cd)	MODELS (Round)
3000	90	11	04 (480 lm)	Narrow Spot (10°)	484	43	7 900	LOGP3R-XNS
				Narrow Flood (30°)	1 525	105	4 004	LOGP3R-XNF
		14.5	15 (1500 lm)	Flood (40°)	1 549	106	3 113	LOGP3R-XFL
				Wide Flood (50°)	1 535	105	1 962	LOGP3R-XWF
				Very Wide Flood (60°)	1 476	101	1 439	LOGP3R-XVW

Use multiplier table for other CCT and CRI output data. Efficacy based on IESNA LM-79 test reports. Visit www.sistemalux.com for complete photometric data.

* System power corresponds to the maximum measured value considering the Power Factor. For Non-IC (RF and NC installations), the system power may increase by up to an additional 2W.

*** USE MULTIPLIER TABLE FOR OTHER CCT OUTPUT DATA ¹**

CCT options	2700K	3000K	3500K	4000K
CRI options	90CRI	90CRI	90CRI	90CRI
Multiplier	0.96	1	1.01	1.03

*** USE MULTIPLIER TABLE FOR OTHER LUMEN OUTPUT DATA ¹**

Target lumen ³	1100 lm	1300 lm	1500 lm
Multiplier	0.76	0.88	1

⁽¹⁾ Please contact customer service for details.

⁽²⁾ Based on round (R) shape.

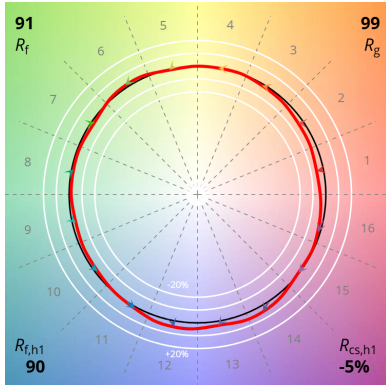
⁽³⁾ Approximate lumen value, the fixture is configured to deliver under nominal conditions based on selected drive current.

* For the Square version, lumen output may differ from the Round version. Please refer to the IES files available on the website for detailed information.

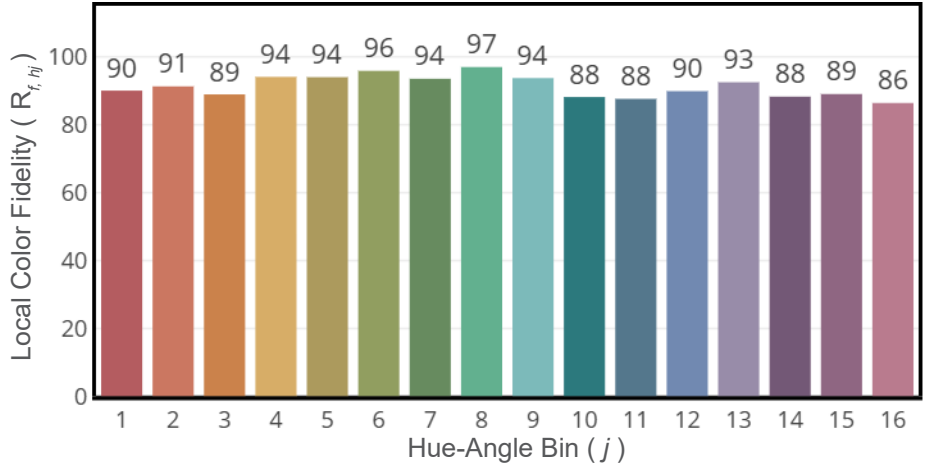
LED COLOR FIDELITY DATA

Only for 450 lm (04) Output with 10° narrow spot (XNS) Optic.

COLOR VECTOR GRAPH

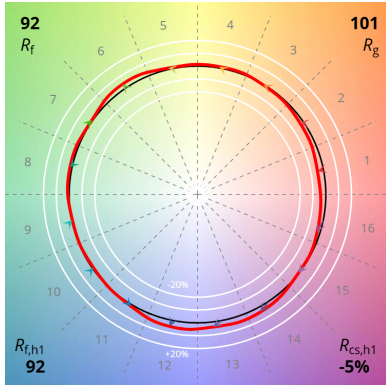


LOCAL COLOR FIDELITY



LED COLOR FIDELITY DATA

COLOR VECTOR GRAPH



LOCAL COLOR FIDELITY

