

Pole mounted luminaire for urban lighting. Elegant minimal design blends in modern architectural environment. Type 2 light distribution with 0% Uplight. Ideal for area lighting.

Luminaire characteristics:

Power input: 46.5W or 81.5W
Lumens: 3800 or 7400lm (for 4000K, 80CRI)
Luminaire efficacy: up to 90lm/W

Source: White LED (LM-80 Tested),
3000K: 80CRI,
4000K: 80CRI.

Lumen maintenance: 70% of initial lumens at 50 000 hours (L70)
(LM79 tested)

Optics: Street Optic : Type 2 Distribution.
BUG rating : Small B1-U0-G1, Large B2-U0-G2.

Material: Body: Die-cast and extruded aluminum.
Diffuser: 5mm thick clear tempered glass.
Hardware: Stainless steel screws and silicone gaskets.

Mounting: Installs on 4" Ø pole with tenon of 3" Ø x 4 3/8" H.
Supplied with 20' (6m) long power cable.
Wall mounted version installs onto a standard 4" octagonal junction box.

Electrical: Integral high efficiency dimmable LED driver,
rated 50 000 hours, 120-277V.

Dimming: Down to 15%, 0-10V (120-277V).

Finish: Aluminum gray painted finish, following a double powder paint in 3 step process: surface treatment containing ceramic nano particles (Bonderite). Epoxy primer paint. Polyester powder paint with high resistance against UV rays and harsh weather conditions.

Weight: 14.11 to 17.19lb (6.4 to 7.8kg).

EPA: Small: 0.7ft² (0.065m²)
Large: 0.97ft² (0.09m²)

Warranty: 5 year limited warranty.

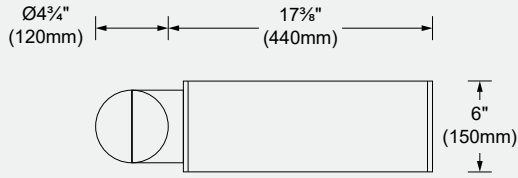
Ratings: IP65, IK09

Certification:  cULus listed for wet location.

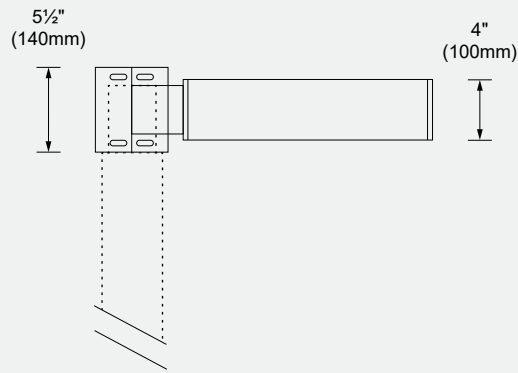


DIMENSIONS

S7120 - SMALL ON POLE

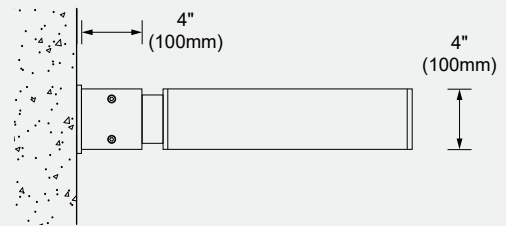
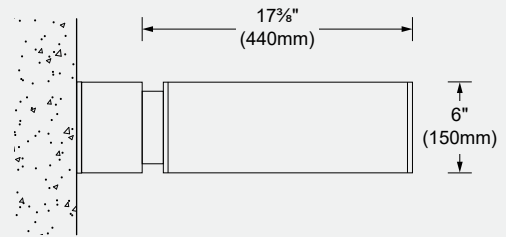


TOP VIEW

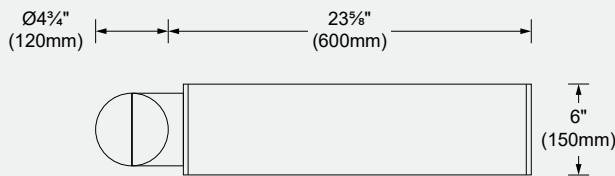


SIDE VIEW

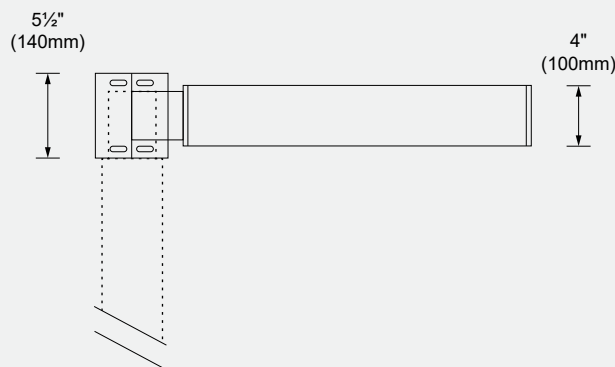
S7130 - SMALL WALL



S7140 - LARGE ON POLE

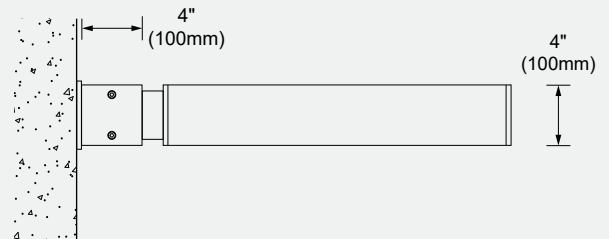
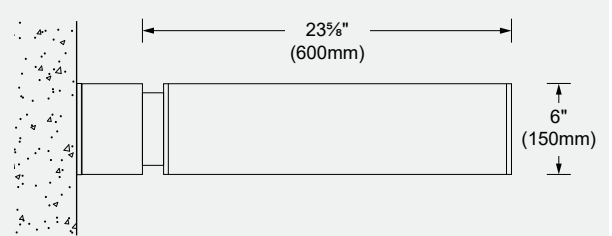


TOP VIEW



SIDE VIEW

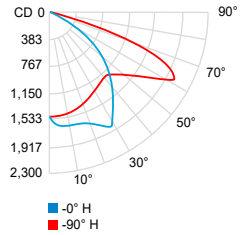
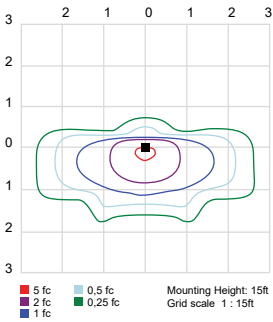
S7150 - LARGE WALL



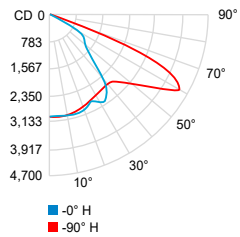
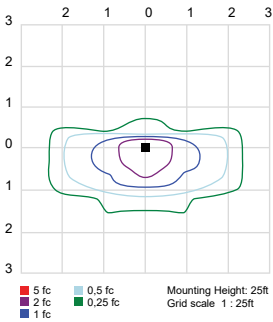
PHOTOMETRIC DATA

Visit sistimalux.com for complete photometric data.

LOAD (W)	CCT (K)	CRI	OPTIC	LUMENS (lm)	EFFICACY (lm / w)	MAX CANDELA (cd)	MODELS
46.5W	4000K	80	Type 2 Street Optic	3865	83	2230	S7120N / S7130N
81.5W				7445	91	4645	S7140N / S7150N

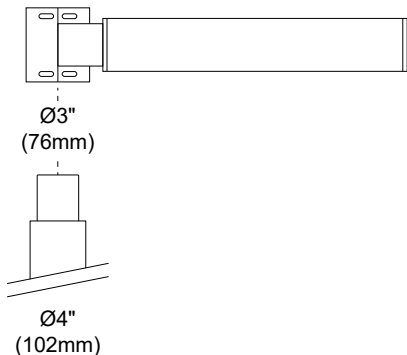


Small - 46.5W - 4000K - 80 CRI
Type 2 - B1-U0-G1 - 0% Uplight



Large - 81.5W - 4000K - 80 CRI
Type 2 - B2-U0-G2 - 0% Uplight

MOUNTING ON POLE



POLE Ø4" (Ø 102mm)
With tenon Ø3", H:4 1/4" (Ø76mm, H:110mm)

- SUPPLIED BY OTHER
CONTACT FACTORY FOR POLE DETAILS

- SUPPLIED BY SISTEMALUX
CONTACT FACTORY FOR POLE SPECIFICATION

HEIGHT: _____ FT

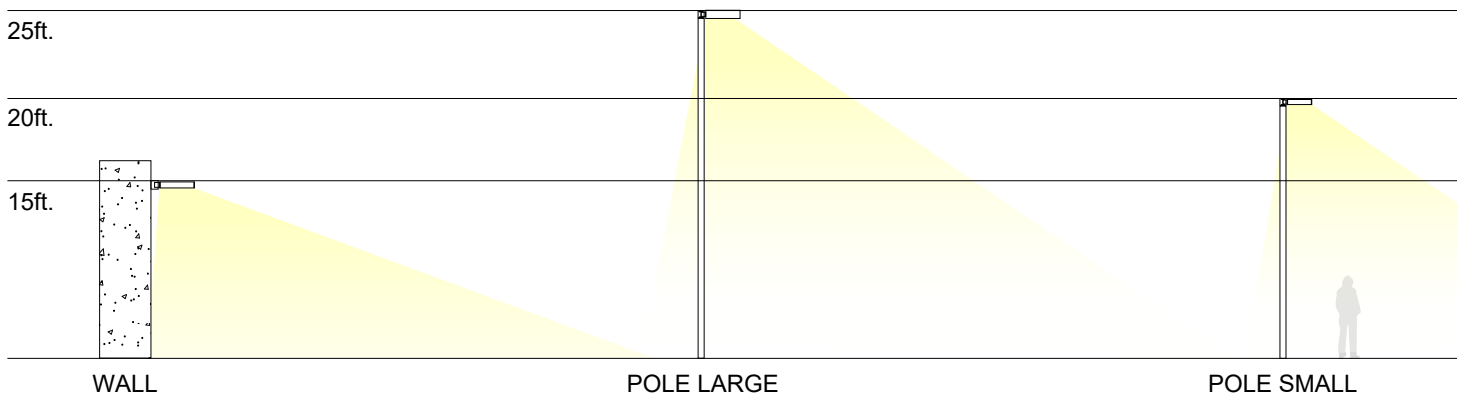
MODEL: Straight

INSTALLATION: Anchor bolts

ACCESS DOOR: Included (3' from ground)

MATERIAL: Aluminum
 Galvanized steel

FINISH: 14 - Gray
 Custom RAL _____



ORDERING INFO

- UNV - 14 -

FIXTURE

POLE MOUNTED MODELS

- | | |
|---|---|
| <input type="checkbox"/> S7120W - Small, 3000K | <input type="checkbox"/> S7140W - Large, 3000K |
| <input type="checkbox"/> S7120N - Small, 4000K | <input type="checkbox"/> S7140N - Large, 4000K |

WALL MOUNTED MODELS

- | | |
|---|---|
| <input type="checkbox"/> S7130W - Small, 3000K | <input type="checkbox"/> S7150W - Large, 3000K |
| <input type="checkbox"/> S7130N - Small, 4000K | <input type="checkbox"/> S7150N - Large, 4000K |

VOLTAGE

- UNV** - 120-277V

FINISH

- 14** - Gray

DIMMING

- D10** - 0-10V (down to 15%)