



Recessed walk over luminaire for exterior applications. This system allows limitless design of linear patterns or continuous light lines with perfect uniformity. Easy to install with recessed aluminium box.

Luminaire characteristics:	Power input: 3.2W/ft Lumens: 95lm/ft or 114lm/ft (3000K, 80CRI) Luminaire efficacy: Up to 35lm/W
Source:	White LED (LM-80) 3000K: 90CRI
Lumen maintenance:	>80% of initial lumens at 70 000 hours (L80) (LM-79).
Optics:	General lighting
Material:	Body: Extruded anodized aluminum body, recessed box and fixing base. Diffuser: 15 mm thick toughened transparent or acid-etched glass.
Mounting:	Inground installation using recessed box. Supplied with 6" long neoprene cable with cable gland. Separate waterproof wiring box to be provided by the contractor. Insure 12" of gravel minimum for appropriate drainage
Electrical:	High efficiency LED driver, rated at 50 000 hours. See remote LED driver options on page 2.
Finish:	Anodized aluminum
Weight:	1.5lb/ft (0.67kg/ft)
Max load capacity:	1100lb (500kg)
Operating temperature:	-20°C to 50°C (-4°F to 122°F);
Glass surface temperature:	Less than 39°C (102°F)
Warranty:	5 year limited warranty.
Ratings:	IP65, IP67, IK10
Certification:	cULus listed for wet location.



ORDERING INFO

[CLICK HERE](#)



CONFIGURE



PRODUCT CODE

INSTALLATION CODE

--	--	--

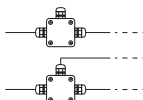
MODEL	LED	FINISH
-------	-----	--------

<p><i>Clear glass</i></p> <p>S7008 40%" (1038mm)</p> <p>S7013 58%" (1488mm)</p> <p><i>Acid-etched glass</i></p> <p>S7018 40%" (1038mm)</p> <p>S7023 58%" (1488mm)</p>	<p>W 3000K, 90CRI</p>	<p>13 Anodized aluminum</p>
---	----------------------------------	--

S7008, S7013, S7018 and S7023 cannot be combined with older continuous line models (S7011, S7012, S7016) due to different dimensions and light outputs.

ACCESSORY (To be ordered separately)

- 4543** - Wet location connection box
For cable Ø 3/16" to 7/16" (4mm to 11mm)



REMOTE LED DRIVER OPTIONS (TO BE ORDERED SEPARATELY)

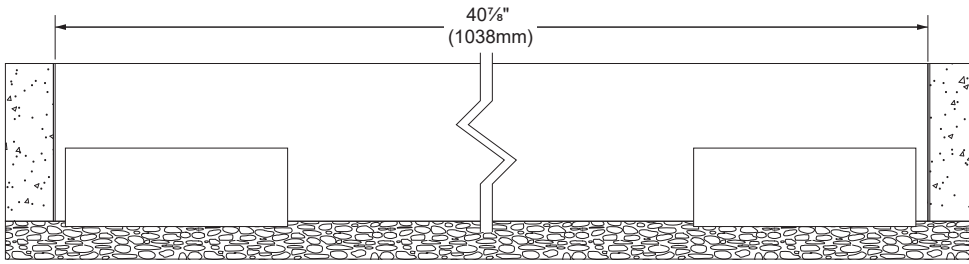
Watts	Voltage	Rated	Dimming protocol	Dimming range	Dimensions	Max distance 18AWG
<input type="checkbox"/> 4443-0024-040-UNV-D2						
40*	120-277V	Indoor	Lutron Hi Lume® 1% EcoSystem™ (Soft-on, Fade to Black)	Down to ±1%	5" x 4" x 3" (127 x 102 x 76mm)	28ft (8.5m)
<input type="checkbox"/> 4449-0024-060-UNV-D10						
60	120-277V	Indoor	0-10V	Down to ±10%	12" x 8" x 4" (305 x 203 x 102mm)	30ft(9m)
<input type="checkbox"/> 4449-0024-075-UNV-D10						
75	120-277V	Indoor	0-10V	Down to ±10%	12" x 8" x 4" (305 x 203 x 102mm)	30ft(9m)
<input type="checkbox"/> 4549-0024-075-UNV-D10						
75	120-277V	Outdoor	0-10V	Down to ±10%	14" x 5" x 3" (356 x 127 x 76mm)	30ft(9m)
<input type="checkbox"/> 4447-0024-096-UNV-D2						
96	120-277V	Indoor	Lutron Hi Lume® 0.1% EcoSystem™ (Soft-on, Fade to Black)	Down to ±0.1%	5" x 4" x 3" (127 x 102 x 76mm)	28ft (8.5m)
<input type="checkbox"/> 4546-0024-200-2C-UNV-ND						
200	120-277V	Outdoor	None	None	12" x 5" x 2" (305 x 127 x 51mm)	28ft (8.5m)

Wattage requirement for one (1) fixture: 1.8W/ft, 24V (remote fixture only).
For longer remote distance, contact factory

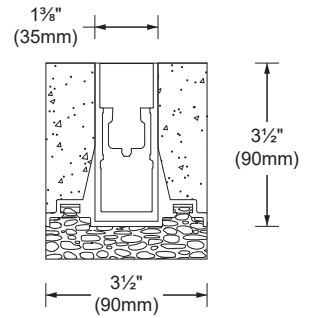
DIMENSIONS

S7008, S7018 - 10.3W

complete with back box: CAS7018



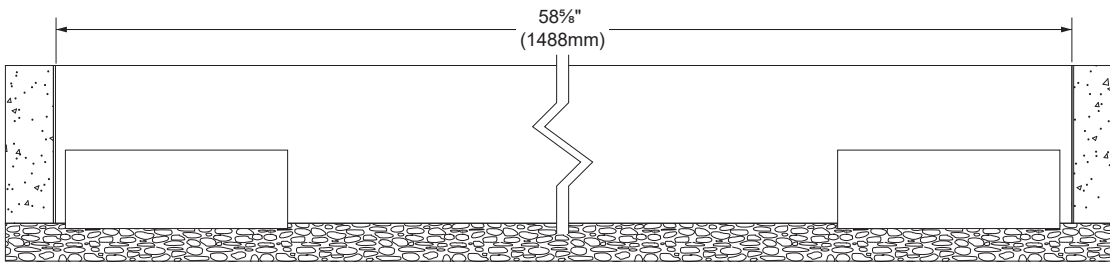
SIDE VIEW



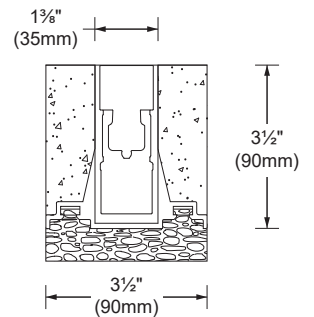
SECTION VIEW

S7013, S7023 - 15.5W

complete with back box: CAS7023



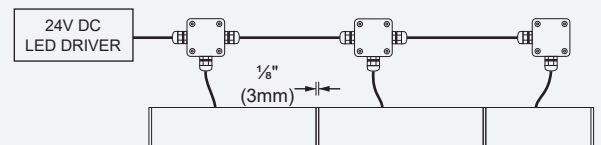
SIDE VIEW



SECTION VIEW

INSTALLATION AND WIRING

Single units can be combined to obtain a dark spot free continuous run. Each luminaire must be wired back to the remote power supply (No fixture chain wiring). Please refer to instruction sheet for more details

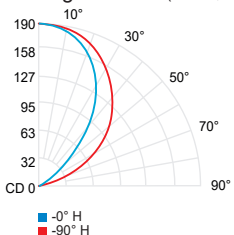


PHOTOMETRIC DATA

Visit sistemalux.com for complete photometric data.

CCT (K)	CRI	LOAD (W/ft)	OPTIC	LUMENS (lm/ft)	EFFICACY (lm/W)	MODELS
3000K	90	3.2W/ft	Clear glass 108°	114	35	S7008W / S7013W
			Acid-etched glass 91°	95	29	S7018W / S7023W

Clear glass 108° (3000K, 90CRI)



Acid-etched glass 91° (3000K, 90CRI)

