




Wall mounted luminaire with symmetric light distribution that provides ambient light on vertical surfaces. Suitable for exterior applications.

Luminaire characteristics:	Power input: 13.5W or 24W (System wattage) 11.7W or 18.6W (Source wattage) Lumens: 561lm to 963lm (for 3000K, 90CRI) Luminaire efficacy: Up to 50lm/W
Source:	LED module (LM-80 tested) 2700K: 90CRI, 3000K: 90CRI, 4000K: 80CRI.
Lumen maintenance:	80% of initial lumens at 70 000 hours (L80)(LM79)
Optics:	Accent light.
Material:	Body: Die-cast aluminum Diffuser: Clear tempered glass. Methacrylate concentrating lens combined with a narrow beam shutter is used to achieve a blade of light effect. Hardware: Stainless steel screws and silicone gaskets
Mounting:	See mounting options on page 4.
Electrical:	Universal high efficiency electronic LED driver rated at 50 000 hours, 120-277V. See remote led option on page 3
Dimming:	Optional 0-10V (120-277V), down to 10% for integral and remote version. Optional LTE (leading and trailing edge), down to 15% for remote version only. See remote dimming options on page 3.
Finish:	White, black, aluminum gray and burnished bronze. White and burnished bronze available with teak wood accent.
Weight:	Mini cool 1.37lb (0.62kg) Cool 3lb (1.4kg)
Warranty:	5 year limited warranty.
Ratings:	IP54, IK06
Certification:	 cULus listed for wet location

ORDERING INFO

_____-_____-_____-_____-
FIXTURE

MODEL

S7231 - Mini cool **S7270** - cool

SL9231 - Mini cool wood

LED

H - 2700K, 90CRI **W** - 3000K, 90CRI **N** - 4000K, 80CRI

MOUNTING

DF - Surface mounted with direct feed **JB** - Surface mounted junction box **J2** - Surface mounted single gang box

VOLTAGE

UNV - 120-277V **REM** - Remote

FINISH

01 - White **09** - Black **14** - Aluminum gray **20** - Burnished bronze

DIMMING

ND - No dimming **D10** - 0-10V

REMOTE POWER SUPPLY OPTION
(TO BE ORDERED SEPARATELY)

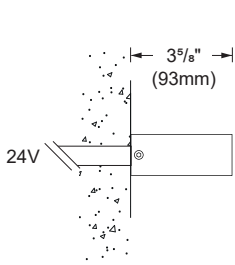
Mini cool S7231, SL9231							11.7W*
Watts	Voltage	Rated	Dimming protocol	Dimming range	Dimensions	Max distance**	Min-max units
<input type="checkbox"/> 4444-0024-025-UNV-ND							
25	120-277V	Indoor	-	-	6" X 4" X 3" (152 X 102 X 76mm)	150ft(45m)	1-2
<input type="checkbox"/> 4448-0024-150-UNV-D10							
150	120-277V	Indoor	0-10V	Down to 10%	10" X 8" X 4" (254 X 203 X 102mm)	25ft(7.5m)	1-12
<input type="checkbox"/> 4549-0024-075-UNV-D10							
75	120-277V	Outdoor	0-10V	Down to 10%	14.5" X 5" X 3.5" (368X 127 X 88mm)	50ft(15m)	1-6
<input type="checkbox"/> 4545-0024-075-UNV-ND							
75	120-277V	Outdoor	-	-	12.5" X 4.5" X 2.5" (317 X114 X 63mm)	50ft(15m)	1-6
<input type="checkbox"/> 4551-0024-080-120-LTE							
80	120V	Outdoor	Leading and trailing edge (ELV and TRIAC)	Down to ±15%	14.5" X 5" X 2" (365 X 127 X 50mm)	45ft(13m)	1-6 (3-6 w/dim)
<input type="checkbox"/> 4546-0024-200-2C-UNV-ND							
200	120-277V	Outdoor	-	-	12.5" X 4.5" X 2.5" (317 X114 X 63mm)	35ft (10m) Per channel	1-16 max 8/ch

Cool S7270							18.6W*
Watts	Voltage	Rated	Dimming protocol	Dimming range	Dimensions	Max distance**	Min-max units
<input type="checkbox"/> 4444-0024-025-UNV-ND							
25	120-277V	Indoor	-	-	6" X 4" X 3" (152 X 102 X 76mm)	150ft(45m)	1
<input type="checkbox"/> 4448-0024-150-UNV-D10							
150	120-277V	Indoor	0-10V	Down to 10%	10" X 8" X 4" (254 X 203 X 102mm)	25ft(7.5m)	1-7
<input type="checkbox"/> 4549-0024-075-UNV-D10							
75	120-277V	Outdoor	0-10V	Down to 10%	14.5" X 5" X 3.5" (368X 127 X 88mm)	50ft(15m)	1-3
<input type="checkbox"/> 4545-0024-075-UNV-ND							
75	120-277V	Outdoor	-	-	12.5" X 4.5" X 2.5" (317 X114 X 63mm)	50ft(15m)	1-3
<input type="checkbox"/> 4551-0024-080-120-LTE							
80	120V	Outdoor	Leading and trailing edge (ELV and TRIAC)	Down to ±15%	14.5" X 5" X 2" (365 X 127 X 50mm)	45ft(13m)	1-4 (2-4w/ DIM)
<input type="checkbox"/> 4546-0024-200-2C-UNV-ND							
200	120-277V	Outdoor	-	-	12.5" X 4.5" X 2.5" (317 X114 X 63mm)	35ft (10m) Per channel	1-10 max 5/ch

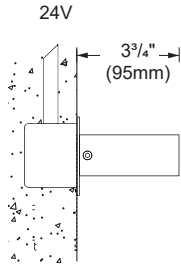
*wattage requirement for one (1) fixture (remote fixture only)
**Calculated at full load for 18AWG copper wires

MOUNTING OPTIONS

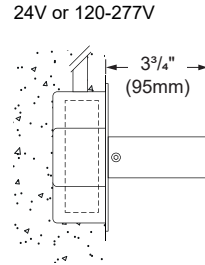
MINICOOL
S7231 / SL9231



DF-REM - Direct feed with remote power supply. Connections made inside fixture (18AWG only). Max Ø3/8" power cable. Installed directly to surface.



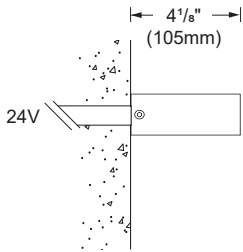
J2-REM - 2" junction box with remote power supply. Mounting adapter plate for junction box installation. Min 1 1/2" (38mm) deep.



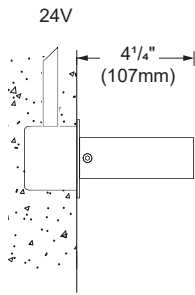
JB-REM - 4" junction box with remote power supply. Mounting adapter plate for junction box installation. Min 1 1/2" (38mm) deep.

JB-UNV - 4" junction box with integral power supply. Mounting adapter plate for junction box installation. Min 1 1/2" (38mm) deep.

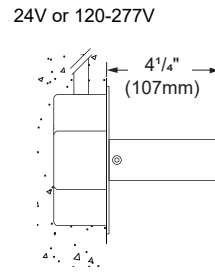
COOL
S7270



DF-REM - Direct feed with remote power supply. Connections made inside fixture (18AWG only). Max Ø3/8" power cable. Installed directly to surface.



J2-REM - 2" junction box with remote power supply. Mounting adapter plate for junction box installation. Min 1 1/2" (38mm) deep.

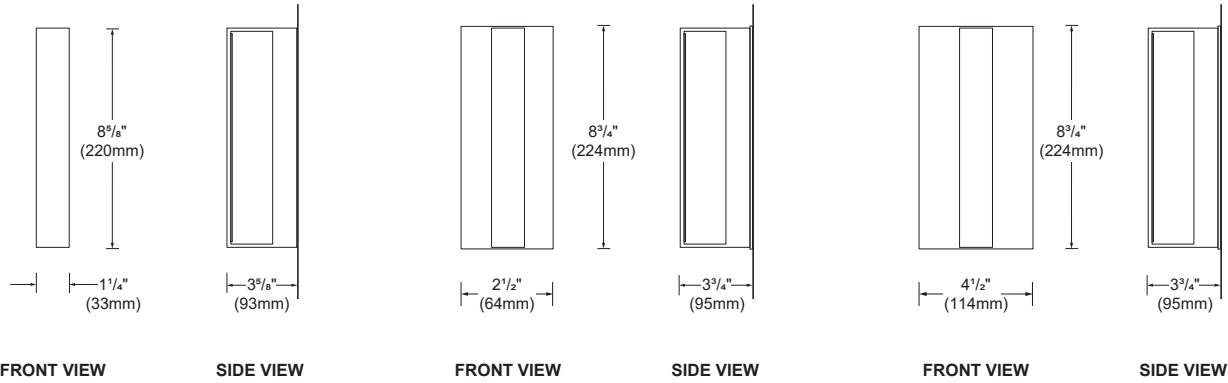


JB-REM - 4" junction box with remote power supply. Mounting adapter plate for junction box installation. Min 1 1/2" (38mm) deep.

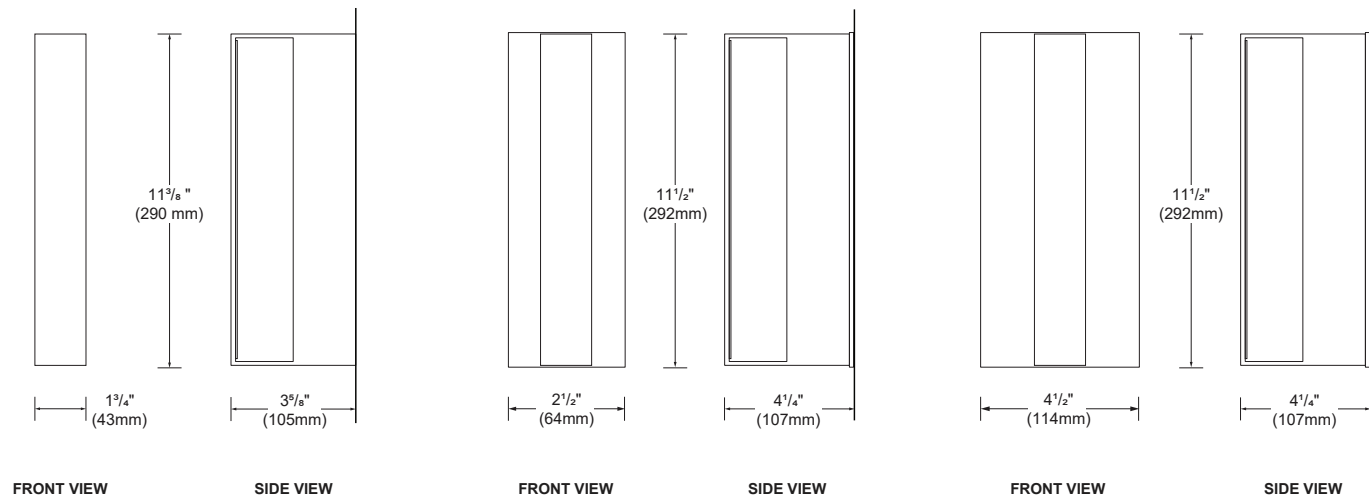
JB-UNV - 4" junction box with integral power supply. Mounting adapter plate for junction box installation. Min 1 1/2" (38mm) deep.

DIMENSIONS

MINICOOL
S7231 / SL9231



COOL
S7270



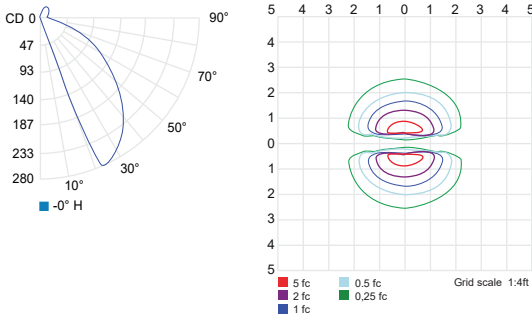
PHOTOMETRIC DATA

Visit sistemalux.com for complete photometric data.

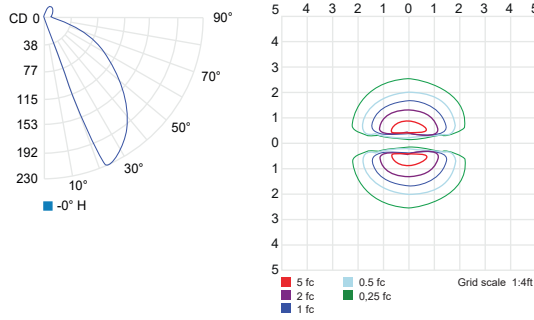
CCT (K)	CRI	LOAD* (W)	OPTIC	LUMENS (lm)	EFFICACY (lm / W)	MAX CANDELA (cd)	MODELS
3000K	90	13.5W	Accent light	561	44	268	S7231W
				448	39	225	SL9231W

*Wattage given for integral version. For products that uses a remote led driver, total system wattage will varies according to the efficacy of the remote led driver selected.

Accent light (3000K, 90 CRI)



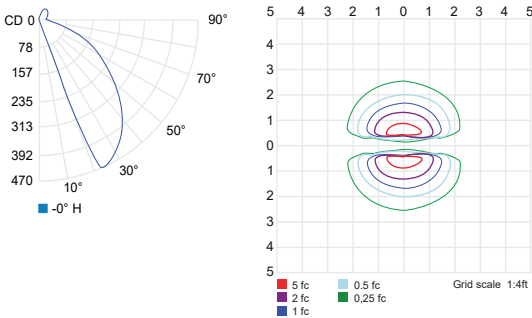
Accent light (3000K, 90 CRI)



CCT (K)	CRI	LOAD* (W)	OPTIC	LUMENS (lm)	EFFICACY (lm / W)	MAX CANDELA (cd)	MODELS
3000K	90	24W	Accent light	963	50	462	S7270W

*Wattage given for integral version. For products that uses a remote led driver, total system wattage will varies according to the efficacy of the remote led driver selected.

Accent light (3000K, 90 CRI)



CCT options	2700K	3000K	4000K
CRI options	90CRI	90CRI	80CRI
Multiplier	0.94	1	1.07