

Collection of specification grade downlights for architectural applications. Excellent build quality with features for the most demanding professional applications. Available in five sizes 2", 3", 4", 5", 6" aperture with generous light outputs and excellent chromatic performance. Professional optics available with directional distribution.



OPTIC	BEAM ANGLE	SYSTEM POWER** (W)	OUTPUT (Nominal Luminous Flux)	LUMENS* (lm)	EFFICACY** (lm/W)	MAX CANDELA* (cd)
Narrow Spot	10°	11	04 (480 lm)	484	43	7 900
Narrow Flood	30°	14.5	15 (1500 lm)	1 525	105	4 004
Flood	40°			1 549	106	3 133
Wide Flood	50°			1 535	105	1 962
Very Wide Flood	60°			1 476	101	1 439

* Based on round (R) shape, trim (T) mounting at 3000K, 90CRI
** For products that uses a remote LED driver, the total system power (W) and efficacy (lm/W) vary according to the efficiency of the remote LED driver selected.

Source: COB LED module
2700K: 90CRI
3000K: 90CRI
3500K: 90CRI
4000K: 90CRI

Lumen maintenance: 90% of initial lumens at 50 000 hours (L90, LM-80)

Optic: Deep recessed adjustable lens available with different optics. Optical assembly hot-aiming adjustment — 30° tilt and 355° pan.

Material: *Body:* Die-cast aluminum optical assembly
Lens: Optical-Grade PMMA
Baffle: Painted polycarbonate

Mounting: *Cut-out:*
• Round - \bigcirc $\varnothing 2\frac{3}{4}$ " - $\varnothing 2\frac{7}{8}$ " ($\varnothing 70$ mm - $\varnothing 73$ mm)
• Square - \square $2\frac{1}{16}$ " - $2\frac{3}{4}$ " ($\square 68$ mm - $\square 70$ mm)
Remodel
New construction with plaster frame
New construction with housing for insulated ceiling or Chicago Plenum
(See page 5-6 for details)

Electrical: High efficiency dimmable LED driver, rated at 50 000 hours. See remote LED driver options.

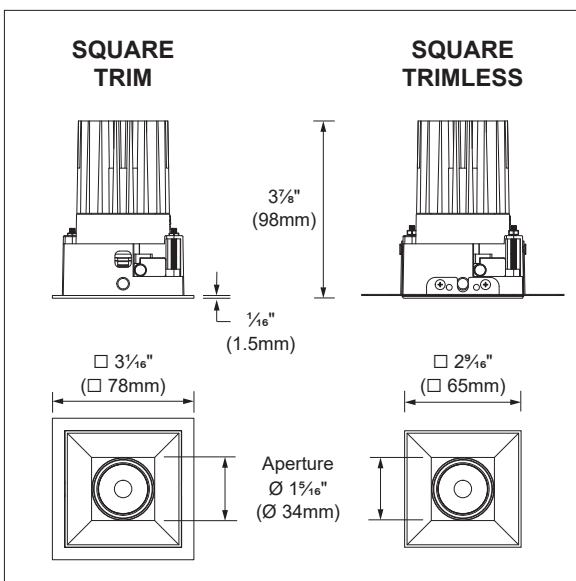
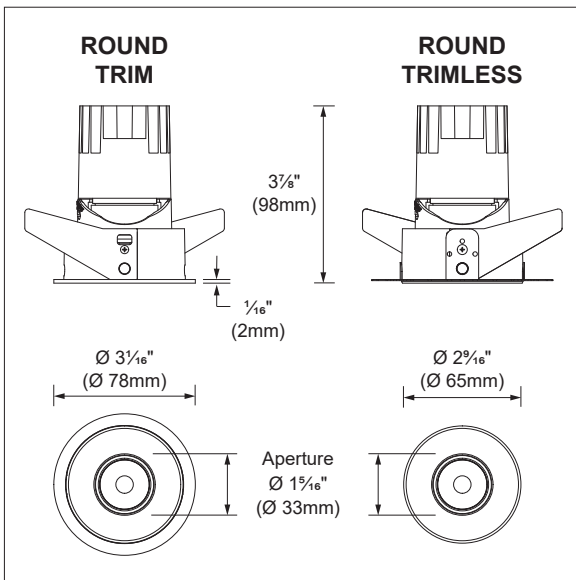
Finish: Powder coated body and baffle
(See page 2 for details)

Weight: 0.57lbs (0.26kg)

Warranty: 5 year limited warranty

Rating: IP20

Certification: cULus listed for damp location. Interior use only.



ORDERING INFO



PRODUCT CODE

INSTALLATION CODE (SEE PAGE 5-6)

MODEL	SHAPE	MOUNTING	INSTALLATION	OUTPUT*	LED	OPTIC	VOLTAGE	FINISH (trim finish / baffle finish)
LOGP3 LOGO PRO 3	R Round	T Trim	RF Remodel	04 ² 480 lm (8.5W)	927 2700K, 90CRI	XNS ³ Adjustable / Fix, Narrow spot (10°)	REM Remote	White trim
	S Square	L Trimless Mud	NC New construction	11 1100 lm (8.5W)	930 3000K, 90CRI	XNF Adjustable / Fix, Narrow flood (30°)		01 White / white
		M ¹ Trimless Millwork	IC Insulated ceiling housing	13 1300 lm (10.5W)	935 3500K, 90CRI	XFL Adjustable / Fix, Flood (40°)		02 White / black
			CP Chicago Plenum housing	15 1500 lm (12W)	940 4000K, 90CRI	XWF Adjustable / Fix, Wide flood (50°)		13 White / matte anodized
						XVW Adjustable / Fix, Very wide flood (60°)		41 ¹ White / gold
								43 ¹ Gold
								E4 ¹ White / chrome
								04 ¹ Chrome
								E7 ¹ White / black chrome
								E6 ¹ Black chrome
								E9 ¹ White / gold matte
								E8 ¹ Gold matte
								Black trim
								23 Black / white
								02 Black / black
								33 Black / matte anodized
								42 ¹ Black / gold
								F3 ¹ Black / chrome
								F1 ¹ Black / black chrome
								F4 ¹ Black / gold matte

ACCESSORY
(TO BE ORDERED SEPARATELY)

- Interchangeable lens with *Twist & Lock* design
- Will be available soon.



⁽¹⁾ May require a longer lead time than standard. Please contact customer service for details.

⁽²⁾ Available only for adjustable/fix narrow spot (**XNS**) optic.

⁽³⁾ Available only for 450 lm (**04**) output.

* Nominal Luminous Flux value at 3000K, 90CRI. Actual performance may vary depending on the installation conditions. Source Power (W).

REMOTE LED DRIVER OPTIONS (TO BE ORDERED SEPARATELY)

PRODUCT CODE (COMPLETE ON THE PREVIOUS PAGE)

DRIVER BOX MODEL

Indoor rated drivers

Dimming	Driver box model	Min-Max units			
		8.5W* Output 480 lm (only XNS optic)	8.5W* Output 1100 lm	10.5W* Output 1300 lm	12W* Output 1500 lm
LTE	4444-0700-012-120-LTE	1			
	4444-0250-010-120-LTE		1		
	4444-0300-012-120-LTE			1	
	4444-0350-022-120-LTE				1

D10	4450-0700-038-UNV-D10	1-4			
	4444-0250-010-UNV-D10		1		
	4450-0300-016-UNV-D10			1	
	4450-0350-019-UNV-D10				1

ED10	4448-0700-077-UNV-ED10	1-8 (2 outputs)			
	4450-0250-013-UNV-ED10		1		
	4450-0300-016-UNV-ED10			1	
	4450-0350-019-UNV-ED10				1

SD10 (4 outputs)	4448-0700-100-UNV-SD10	1-16			
	4448-0250-057-UNV-SD10		1-4		
	4448-0300-068-UNV-SD10			1-4	
	4448-0350-079-UNV-SD10				1-4

EDA	4450-0700-030-UNV-EDA	1-3			
	4444-0250-010-UNV-EDA		1		
	4444-0300-012-UNV-EDA			1	
	4450-0350-019-UNV-EDA				1

SDA (4 outputs)	4448-0700-100-UNV-SDA	1-16			
	4448-0250-057-UNV-SDA		1-4		
	4448-0300-100-UNV-SDA			1-4	
	4448-0350-079-UNV-SDA				1-4

* Wattage requirement for one (1) fixture (remote fixture only). Source Power (W).

REMOTE LED DRIVER OPTIONS (CONTINUED, TO BE ORDERED SEPARATELY)

PRODUCT CODE (COMPLETE ON THE PREVIOUS PAGE)

DRIVER BOX MODEL

Indoor rated drivers

Dimming	Driver box model	Min-Max units			
		8.5W* Output 480 lm (only XNS optic)	8.5W* Output 1100 lm	10.5W* Output 1300 lm	12W* Output 1500 lm
CAS**	4448-0700-077-UNV-CAS	1-8 (2 outputs)			
	4450-0250-013-UNV-CAS		1		
	4450-0300-016-UNV-CAS			1	
	4450-0350-019-UNV-CAS				1

AWN**	4450-0700-030-UNV-AWN	1-3			
	4450-0250-013-UNV-AWN		1		
	4450-0300-012-UNV-AWN			1	
	4450-0350-019-UNV-AWN				1

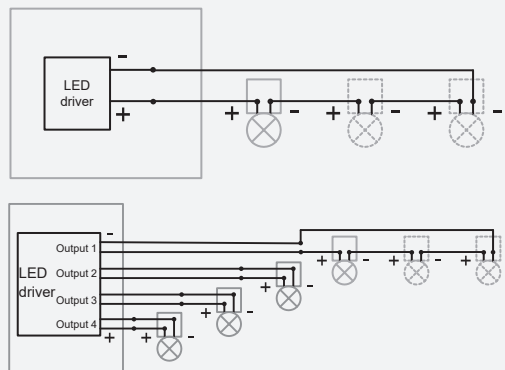
* Wattage requirement for one (1) fixture (remote fixture only). Source Power. (W)

** Will be available soon. May require a longer lead time. Please contact customer service for details.

DRIVER BOX MODEL DESCRIPTION

DIMENSION	CONSTANT CURRENT	WATTAGE	VOLTAGE	DIMMING PROTOCOL ²
4444 6" x 4" x 3" (152 x 102 x 76mm)	0700 ⁷ 700mA	010 to 100 10W to 100W	UNV 120-277V	LTE Leading edge and trailing edge (ELV and TRIAC) Max distance: 48m (160ft) ³ (down to 10%) D10 0-10V Max distance: 48m (160ft) ³ (down to 1%) ED10 ⁴ 0-10V eldoLED ECOdrive Max distance: 48m (160ft) ³ (down to 1%) SD10 ⁴ 0-10V eldovLED SOLOdrive Max distance: 48m (160ft) ³ (down to 0.1%) EDA ⁴ DALI eldoLED ECOdrive Max distance: 48m (160ft) ³ (down to 1%) SDA ⁴ DALI eldovLED SOLOdrive Max distance: 48m (160ft) ³ (down to 0.1%) CAS ⁵ Casambi connectivity Max distance: 30m (65ft) ⁴ (down to 1%) AWN ⁵ Athena wireless node connectivity Max distance: 9m (30ft) ⁴ (down to 1%)

WIRING DIAGRAM EXAMPLES



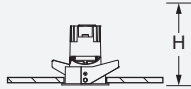
- (1) Luminaires must be connected in series or on separate outputs (1-4). Do not exceed the wattage and voltage range on each output.
- (2) Dimming levels will vary depending on the dimmer used and the number of luminaires on the line.
- (3) Max distance cable calculated for 16AWG cable based on a single lighting fixture. With 18AWG cable, it may have shorter distance (30m / 100ft). Contact customer service for more lighting fixtures or longer remote distance.
- (4) Max distance may be reduced depending on the obstacles such as walls or metal structures.
- (5) May require a longer lead time. Please contact customer service for details.
- (6) Will be available soon. May require a longer lead time. Please contact customer service for details.
- (7) Available only for 450 lm (04) output with adjustable/fix narrow spot (XNS) optic.

INSTALLATION
(TO BE ORDERED SEPARATELY)

Remodel (RF)

Versatile fixture for new or existing ceiling structure. Suitable for non-insulated ceiling like sheetrock or paneling. Fixture is ready for remodeling installation. Trimless frame kit can be shipped separately.

Total weight: 0.6lbs (0.3kg)



Model	Shape	Mounting	Trimless frame	Cut-out dimensions	Clearance (H)
LOGO PRO 3	Round	Trim		Ø 2¾" (Ø 70mm)	6⅞" (160mm)
		Trimless Mud	TK-LOGP3RL-RF*	Ø 2⅞" (Ø 73mm)	
		Trimless Millwork	TK-LOGP3RM-RF*	Ø 2⅞" (Ø 73mm)	
	Square	Trim		2⅞" x 2⅞" (68 x 68mm)	
		Trimless Mud	TK-LOGP3SL-RF*	2¾" x 2¾" (70 x 70mm)	
		Trimless Millwork	TK-LOGP3SM-RF*	2⅞" x 2⅞" (68 x 68mm)	

*Can be installed from below the ceiling.

Ceiling thickness

- Trim (Round): ⅜" - 1" (5 - 25mm)
- Trim (Square): ⅜" - 1" (1 - 25mm)
- Trimless Mud (Round): ⅜" - 1" (5 - 25mm)
- Trimless Mud (Square): ⅜" - 1" (1 - 25mm)
- Trimless Millwork (Round): ⅜" - ⅞" (2 - 22.5mm)
- Trimless Millwork (Square): ½" - ⅞" (12.5 - 22.5mm)

New construction with plaster frame (NC)

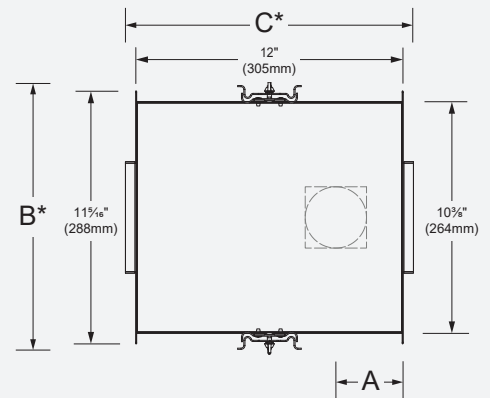
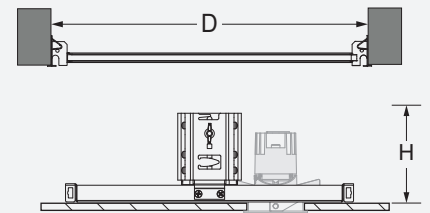
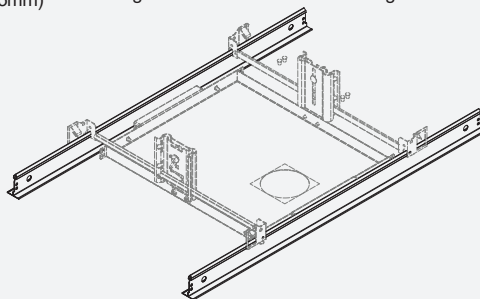
Plaster frame with hanger bars system to be installed during rough-in phase. Suitable for non-insulated new construction ceiling assemblies, like sheetrock, or paneling. Plaster frame and trim can be shipped separately.

Total weight: 2.4lbs (1.1kg)

Ceiling thickness

- Trim (Round): ⅜" - ⅞" (5 - 24mm)
- Trim (Square): ⅜" - ⅞" (1 - 24mm)
- Trimless Mud (Round): ⅜" - ⅞" (5 - 24mm)
- Trimless Mud (Square): ⅜" - ⅞" (1 - 24mm)
- Trimless Millwork (Round): ⅜" - ⅞" (2 - 21.5mm)
- Trimless Millwork (Square): ½" - ⅞" (12.5 - 21.5mm)

Hanger bars suitable for Grid ceiling



Model	Shape	Mounting	Plaster frame	Cut-out dimensions	Cut-out position (A)	Max overall dimensions (B*xC*)	Hanger bars (D)	Clearance (H)
LOGO PRO 3	Round	Trim	BN-LOGP3RT-NC-REM	Ø 2¾" (Ø 70mm)	3" (76.5mm)	12¼" x 12⅞" (311 x 328mm)	14¼" to 26" (362 to 660mm)	6⅞" (160mm)
		Trimless Mud	BN-LOGP3RL-NC-REM	Ø 2⅞" (Ø 73mm)				
		Trimless Millwork	BN-LOGP3RM-NC-REM	Ø 2⅞" (Ø 73mm)				
	Square	Trim	BN-LOGP3ST-NC-REM	2⅞" x 2⅞" (68 x 68mm)				
		Trimless Mud	BN-LOGP3SL-NC-REM	2¾" x 2¾" (70 x 70mm)				
		Trimless Millwork	BN-LOGP3SM-NC-REM	2⅞" x 2⅞" (68 x 68mm)				

*Provide a minimum of 1⅞" (47mm) on each side for the hanger bar fixations

INSTALLATION
(TO BE ORDERED SEPARATELY)

New construction with housing suitable for insulated ceiling (IC) or Chicago Plenum (CP)

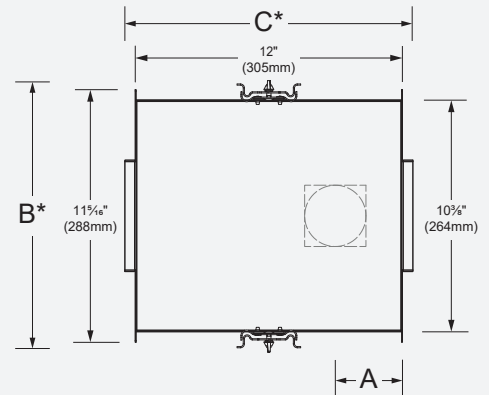
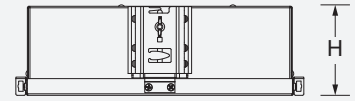
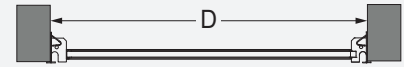
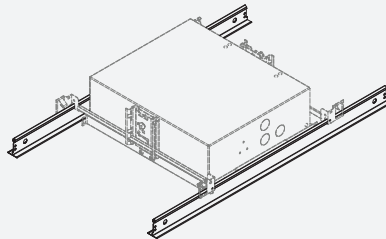
Housing with hanger bars system for new construction installations. Suitable for insulated ceiling or Chicago Plenum applications. Housing and trim can be shipped separately.

Total weight: 6.1lbs (2.8kg)

Ceiling thickness

- Trim (Round): 3/16" - 15/16" (5 - 24mm)
- Trim (Square): 1/4" - 15/16" (1 - 24mm)
- Trimless Mud (Round): 3/16" - 15/16" (5 - 24mm)
- Trimless Mud (Square): 1/4" - 15/16" (1 - 24mm)
- Trimless Millwork (Round): 1/4" - 7/8" (2 - 21.5mm)
- Trimless Millwork (Square): 1/2" - 7/8" (12.5 - 21.5mm)

Hanger bars suitable for Grid ceiling



Model	Shape	Mounting	Housing	Cut-out dimensions	Cut-out position (A)	Max overall dimensions (B*xC*)	Hanger bars (D)	Clearance (H)
LOGO PRO 3	Round	Trim	BI-LOGP3RT-IC-REM	Ø 2 3/4" (Ø 70mm)	3" (76.5mm)	12 1/4" x 12 15/16" (311 x 328mm)	14 1/4" to 26" (362 to 660mm)	4" (100mm)
			BI-LOGP3RT-CP-REM					
		Trimless Mud	BI-LOGP3RL-IC-REM	Ø 2 7/8" (Ø 73mm)				
			BI-LOGP3RL-CP-REM					
		Trimless Millwork	BI-LOGP3RM-IC-REM	Ø 2 7/8" (Ø 73mm)				
			BI-LOGP3RM-CP-REM					
	Square	Trim	BI-LOGP3ST-IC-REM	2 11/16" x 2 11/16" (68 x 68mm)				
			BI-LOGP3ST-CP-REM					
		Trimless Mud	BI-LOGP3SL-IC-REM	2 3/4" x 2 3/4" (70 x 70mm)				
			BI-LOGP3SL-CP-REM					
Trimless Millwork	BI-LOGP3SM-IC-REM	2 11/16" x 2 11/16" (68 x 68mm)						
	BI-LOGP3SM-CP-REM							

*Provide a minimum of 1 1/8" (47mm) on each side for the hanger bar fixations

MODEL

ROUND TRIM



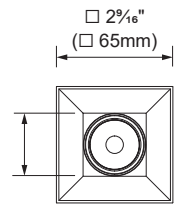
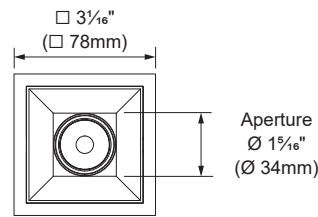
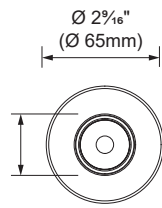
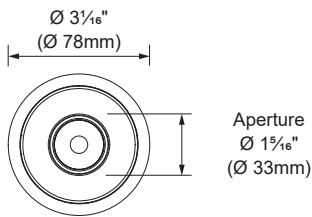
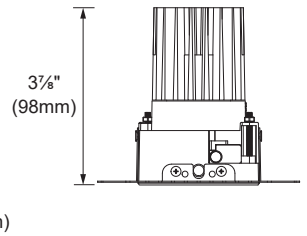
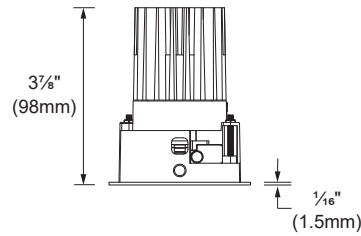
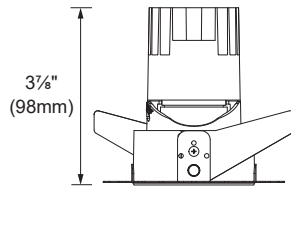
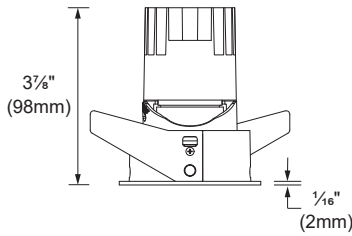
ROUND TRIMLESS



SQUARE TRIM

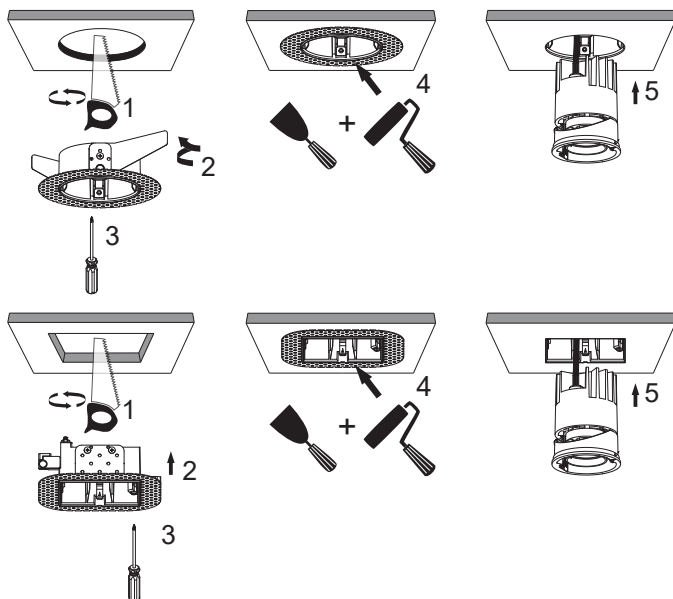


SQUARE TRIMLESS



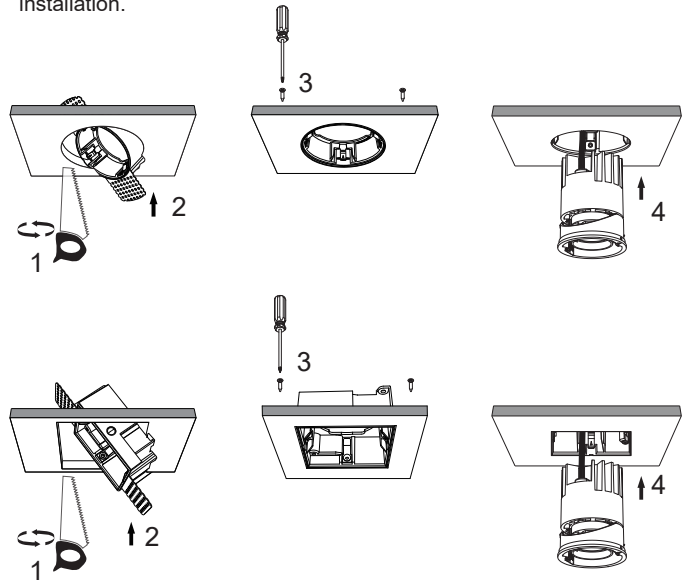
TRIMLESS MUD FRAME KIT

Trimless mud frame kit to be fastened to the gypsum board. The assembly is then finished by plastering, sanding and painting. Install the luminaire inside the opening once painting is completed. The kit is sold separately for retrofit installation or supplied with the plaster frame or the housing for new construction installations.



TRIMLESS MILLWORK FRAME KIT

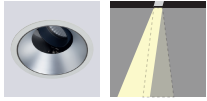
Trimless millwork frame kit to be fastened to the ceiling. Install the luminaire inside the opening once the trimless millwork frame kit installation is completed. The kit is sold separately for retrofit installation or supplied with the plaster frame for new construction installation.



PHOTOMETRIC DATA ¹

Visit sistemalux.com for complete photometric data.

ADJUSTABLE / FIX



CCT (K)	CRI	SYSTEM POWER* (W)	OUTPUT (Nominal Luminous Flux)	OPTIC	LUMENS ² (lm)	EFFICACY* (lm/w)	MAX CANDELA ² (cd)	MODELS (Round)
3000	90	11	04 (480 lm)	Narrow Spot (10°)	484	43	7 900	LOGP3R-XNS
				Narrow Flood (30°)	1 525	105	4 004	LOGP3R-XNF
		14.5	15 (1500 lm)	Flood (40°)	1 549	106	3 113	LOGP3R-XFL
				Wide Flood (50°)	1 535	105	1 962	LOGP3R-XWF
				Very Wide Flood (60°)	1 476	101	1 439	LOGP3R-XVW

* For products that uses a remote LED driver, the total system power (W) and efficacy (lm/W) vary according to the efficiency of the remote LED driver selected. Use multiplier table for other CCT and CRI output data. Efficacy based on IESNA LM-79 test reports. Visit www.sistemalux.com for complete photometric data.

* USE MULTIPLIER TABLE FOR OTHER CCT OUTPUT DATA ¹

CCT options	2700K	3000K	3500K	4000K
CRI options	90CRI	90CRI	90CRI	90CRI
Multiplier	0.96	1	1.01	1.03

* USE MULTIPLIER TABLE FOR OTHER LUMEN OUTPUT DATA ¹

Target lumen ³	1100 lm	1300 lm	1500 lm
Multiplier	0.76	0.88	1

⁽¹⁾ Please contact customer service for details.

⁽²⁾ Based on round (R) shape.

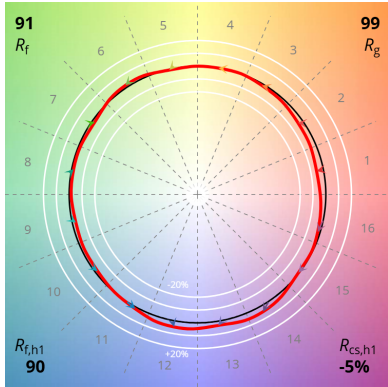
⁽³⁾ Approximate lumen value, the fixture is configured to deliver under nominal conditions based on selected drive current.

* For the Square version, lumen output may differ from the Round version. Please refer to the IES files available on the website for detailed information.

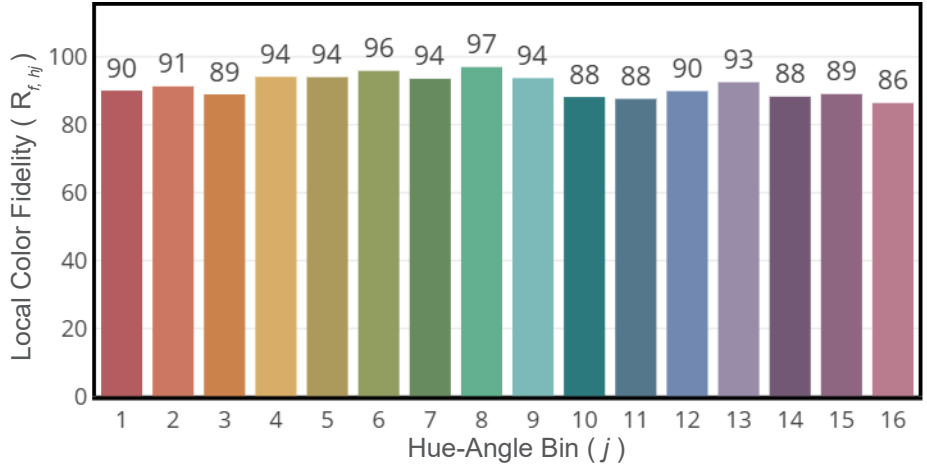
LED COLOR FIDELITY DATA

Only for 480 lm (04) Output with 10° narrow spot (XNS) Optic.

COLOR VECTOR GRAPH

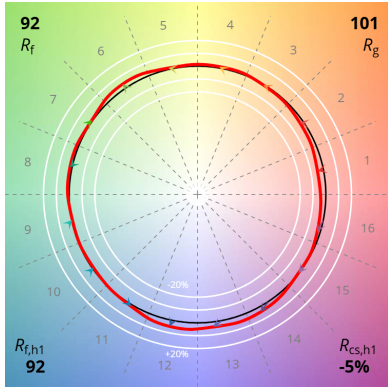


LOCAL COLOR FIDELITY



LED COLOR FIDELITY DATA

COLOR VECTOR GRAPH



LOCAL COLOR FIDELITY

