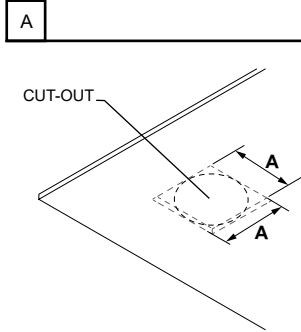


IMPORTANT - READ CAREFULLY BEFORE INSTALLING FIXTURE. RETAIN THESE INSTRUCTIONS FOR FUTURE REFERENCE.
 THIS PRODUCT MUST BE INSTALLED IN ACCORDANCE WITH THE NATIONAL ELECTRICAL CODE AND ALL APPLICABLE LOCAL CODES, BY A PERSON FAMILIAR WITH THE CONSTRUCTION AND OPERATION OF THE PRODUCT, AND THE HAZARDS INVOLVED. PROPER GROUNDING IS REQUIRED FOR SAFETY.

REMODEL INSTALLATION (RF)

A. MAKE THE CUT-OUT OPENING (SEE DIMENSIONS BELOW).



Model	Shape	Mounting	Trimless Kit	Cut-out Dimensions (A)	Ceiling Thickness	Clearance (H)	
						LOGP4	LOGP4H
LOGP4R LOGP4HR	Round	Trim		Ø4" (Ø100mm)	1/8" - 1" (1-25mm)	7 1/8" (180mm)	8 1/8" (207mm)
		Trimless Mud	TK-LOGP4RL-RF	Ø4 1/8" (Ø105mm)	1/8" - 1" (1-25mm)		
		Trimless Millwork	TK-LOGP4RM-RF	1/2" - 1" (12.5-25mm)			
LOGP4S LOGP4HS	Square	Trim		□3 1/8" (□97mm)	1/8" - 1" (1-25mm)	7 1/8" (180mm)	8 1/8" (207mm)
		Trimless Mud	TK-LOGP4SL-RF	□3 3/8" (□99mm)	1/8" - 1" (1-25mm)		
		Trimless Millwork	TK-LOGP4SM-RF	□3 1/8" (□97mm)	1/2" - 1" (12.5-25mm)		

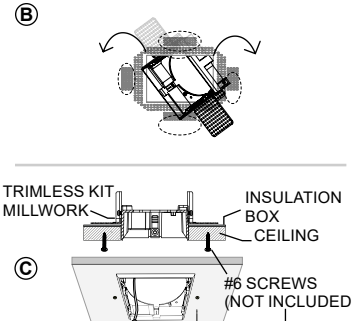
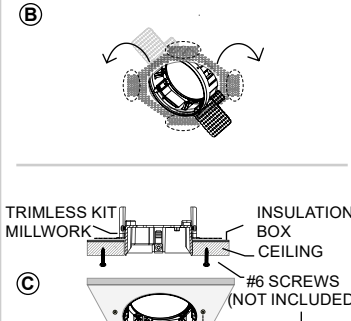
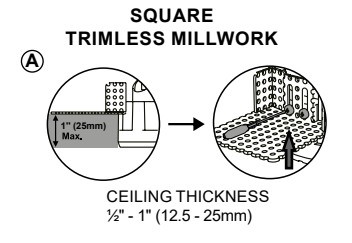
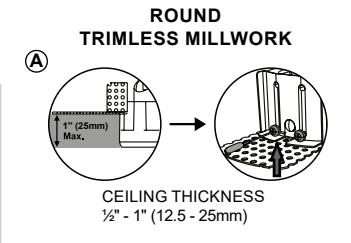
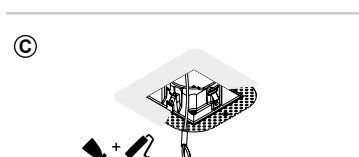
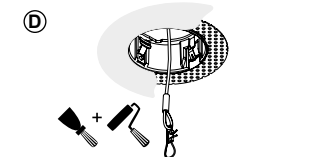
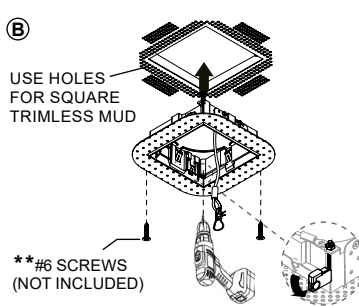
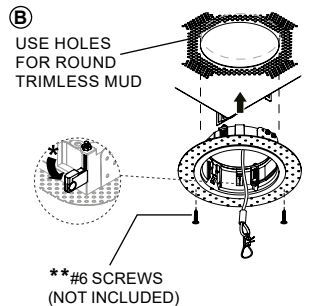
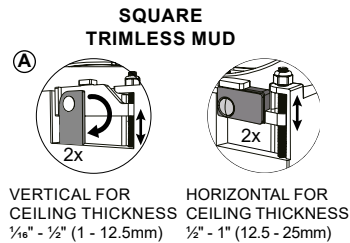
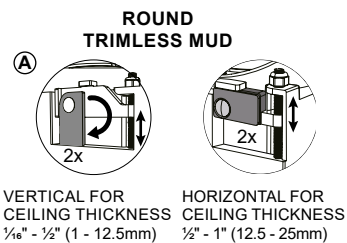
TRIMLESS KIT INSTALLATION (if applicable)

ROUND / SQUARE TRIMLESS MUD:

- CHOOSE THE BRACKET DIRECTION (VERTICAL OR HORIZONTAL) DEPENDING ON THE CEILING THICKNESS.
- INSERT THE TRIMLESS KIT INTO THE CEILING. TO HOLD THE KIT IN THE CEILING, ADJUST THE (2X) FIXATION BRACKET ADJUSTMENT SCREWS WITH A DRILL (**RECOMMENDED**).
 * THE BRACKETS WILL OPEN AUTOMATICALLY WHILE SCREWING.
 ** FOR BETTER FIXATION (**IF NEEDED**), SECURE THE TRIMLESS KIT TO THE CEILING USING (2X) #6 SCREWS (**NOT INCLUDED**)
- FINISH THE ASSEMBLY BY PLASTERING, SANDING AND PAINTING.

ROUND / SQUARE TRIMLESS MILLWORK:

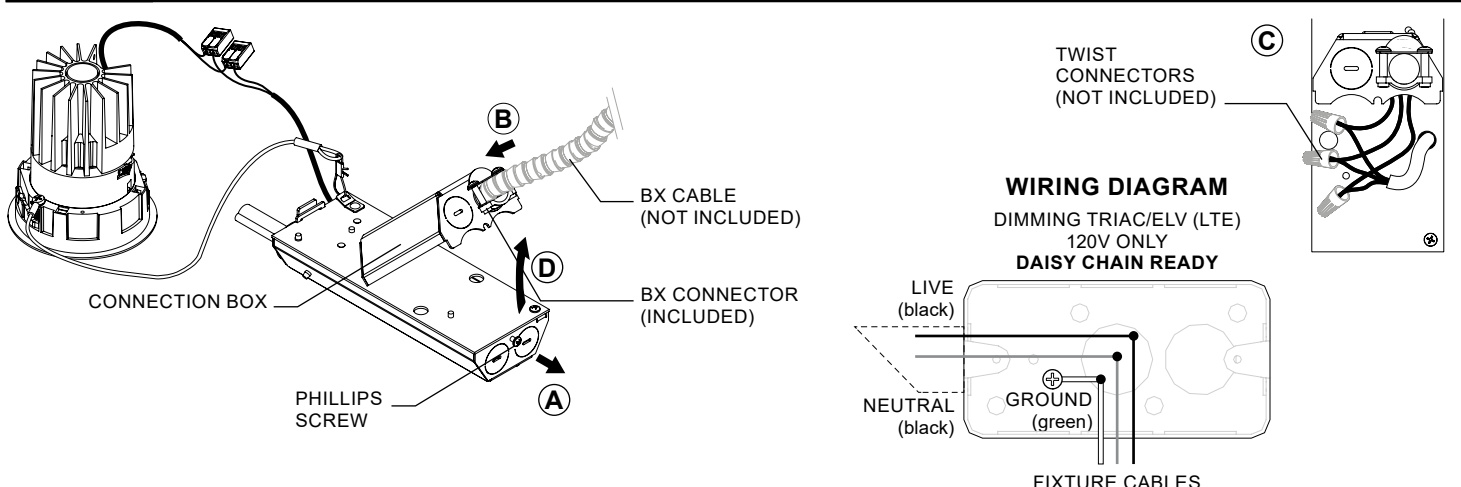
- ADJUST BRACKET POSITION DEPENDING ON THE CEILING THICKNESS.
- POSITION THE TRIMLESS KIT IN THE CEILING
- SECURE THE TRIMLESS KIT TO THE CEILING USING (2X) #6 SCREWS (**NOT INCLUDED**).
- FINISH THE ASSEMBLY BY PLASTERING, SANDING AND PAINTING.



**FIXTURE CONNECTION
INTEGRAL DRIVER (120V / 277V)
DIMMING TRIAC/ELV**

- A.** REMOVE THE CONNECTION BOX PHILLIPS SCREW (INCLUDED) AND REMOVE THE COVER.
- B.** INSTALL A BX CABLE (NOT INCLUDED) USING A BX CONNECTOR (INCLUDED). LEAVE AT LEAST 6" OF WIRE IN THE BOX.
- C.** MAKE ALL THE NECESSARY CONNECTIONS (SEE WIRING DIAGRAM) USING QUICK CONNECTORS (INCLUDED) OR CONNECTION BLOCK. ***DAISY CHAIN READY FOR LTE DIMMING ONLY.**
- D.** CLOSE THE CONNECTION BOX COVER AND TIGHTEN THE PHILLIPS SCREW.

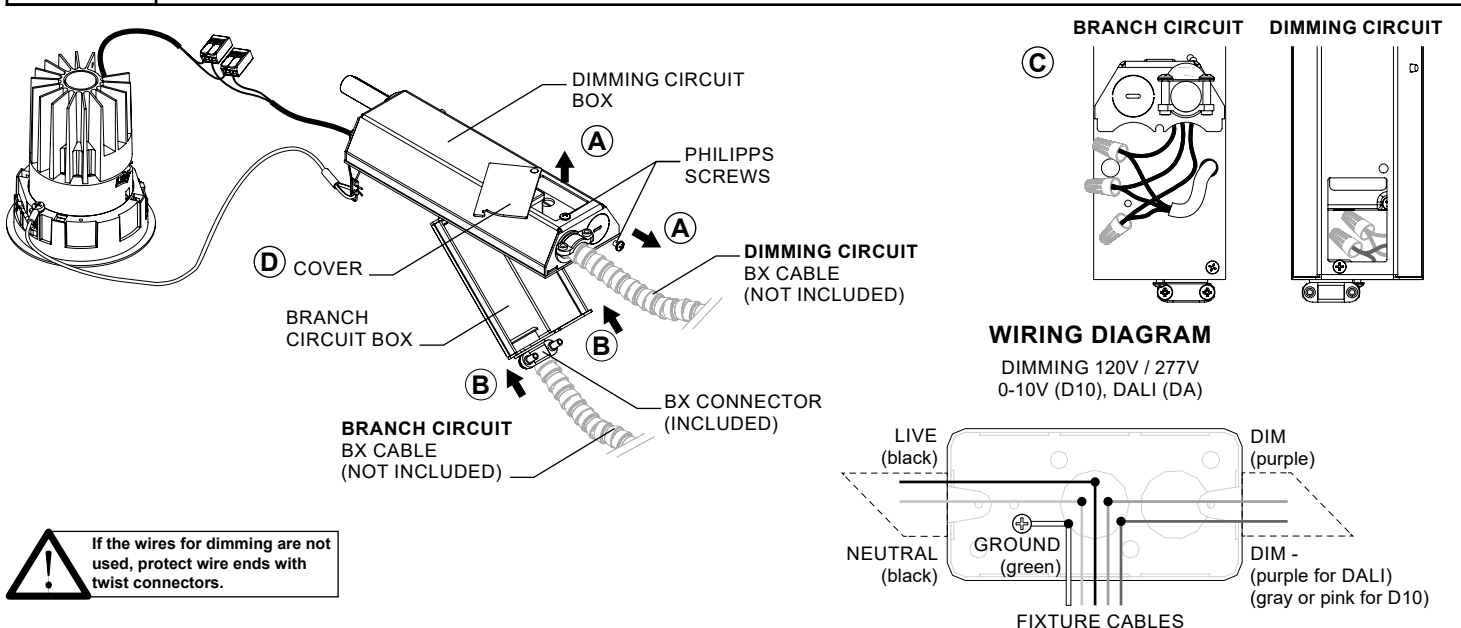
A + B + C + D



**FIXTURE CONNECTION
INTEGRAL DRIVER (120-277V)
DIMMING 0-10V, DALI**

- A.** LOOSEN THE (2) PHILLIPS SCREWS TO SLIDE THE DIMMING CIRCUIT BOX COVER OPEN AND OPEN THE BRANCH CIRCUIT BOX.
- B.** INSTALL BX CABLE (NOT INCLUDED) USING BX CONNECTOR (INCLUDED). LEAVE AT LEAST 6" OF WIRE IN THE BOX.
- C.** MAKE ALL NECESSARY CONNECTIONS (SEE WIRING DIAGRAM) USING TWIST CONNECTORS (NOT INCLUDED).
- D.** SLIDE THE DIMMING CIRCUIT BOX COVER BACK ON, CLOSE THE BRANCH CIRCUIT BOX AND TIGHTEN THE PHILLIPS SCREWS.

A + B + C + D

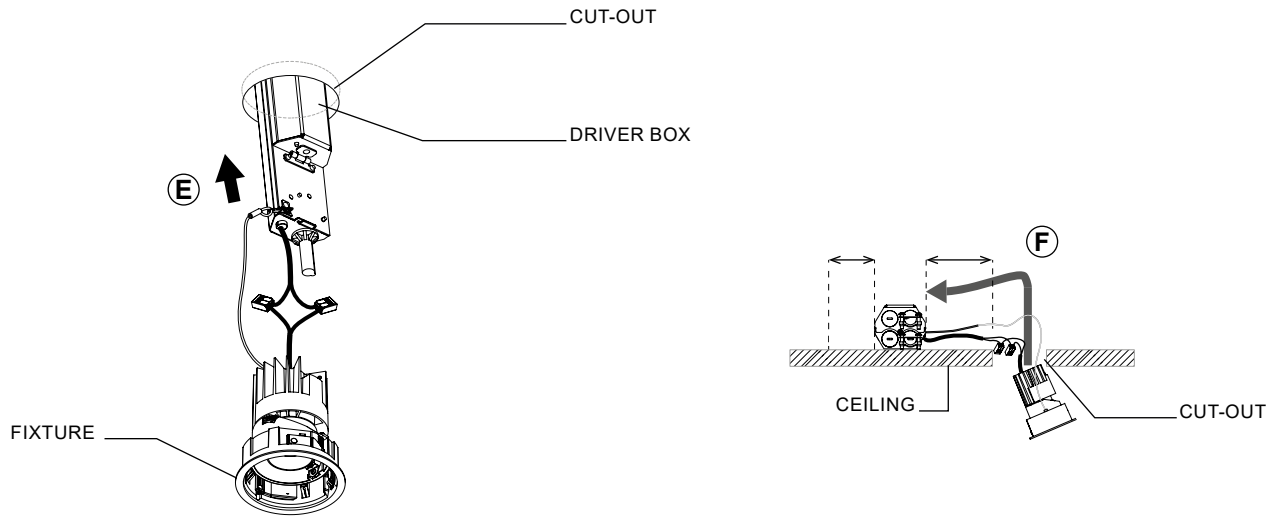


! If the wires for dimming are not used, protect wire ends with twist connectors.

FIXTURE INSTALLATION (TRIM)

- E. INSERT THE DRIVER BOX INTO THE CUT-OUT.
- F. PUT THE DRIVER BOX INSIDE WITH PROPER DISTANCE FROM THE WALL AND THE FIXTURE.
- N.B. FOR MAINTENANCE, PULL THE FIXTURE OUT OF THE CUT-OUT.

E + F



- G. CHOOSE THE BRACKET DIRECTION (VERTICAL OR HORIZONTAL) DEPENDING ON THE CEILING THICKNESS. INSERT THE TRIM KIT INTO THE CEILING. TO HOLD THE KIT IN THE CEILING, ADJUST THE (2X) FIXATION BRACKET ADJUSTMENT SCREWS WITH A DRILL (RECOMMENDED).
* THE BRACKETS WILL OPEN AUTOMATICALLY WHILE SCREWING.

- G. CHOOSE THE BRACKET DIRECTION (VERTICAL OR HORIZONTAL) DEPENDING ON THE CEILING THICKNESS. INSERT THE TRIM KIT INTO THE CEILING. TO HOLD THE KIT IN THE CEILING, ADJUST THE (2X) FIXATION BRACKET ADJUSTMENT SCREWS WITH A DRILL (RECOMMENDED).
* THE BRACKETS WILL OPEN AUTOMATICALLY WHILE SCREWING.

G ROUND MODEL

ROUND TRIMLESS MUD

VERTICAL FOR CEILING THICKNESS 1/4" - 1/2" (1 - 12.5mm)
HORIZONTAL FOR CEILING THICKNESS 1/2" - 1" (12.5 - 25mm)

ROUND TRIMLESS MILLWORK

CEILING THICKNESS 1" (25mm) Max. → 1/2" - 1" (12.5 - 25mm)

FIXATION BRACKETS
FIXATION BRACKET ADJUSTMENT SCREW

G SQUARE MODEL

SQUARE TRIMLESS MUD

VERTICAL FOR CEILING THICKNESS 1/4" - 1/2" (1 - 12.5mm)
HORIZONTAL FOR CEILING THICKNESS 1/2" - 1" (12.5 - 25mm)

SQUARE TRIMLESS MILLWORK

CEILING THICKNESS 1" (25mm) Max. → 1/2" - 1" (12.5 - 25mm)

FIXATION BRACKETS
FIXATION BRACKET ADJUSTMENT SCREW

TRIMLESS - REMODEL (RF)

* FOLLOWING STEPS A TO D FROM PREVIOUS PAGE:

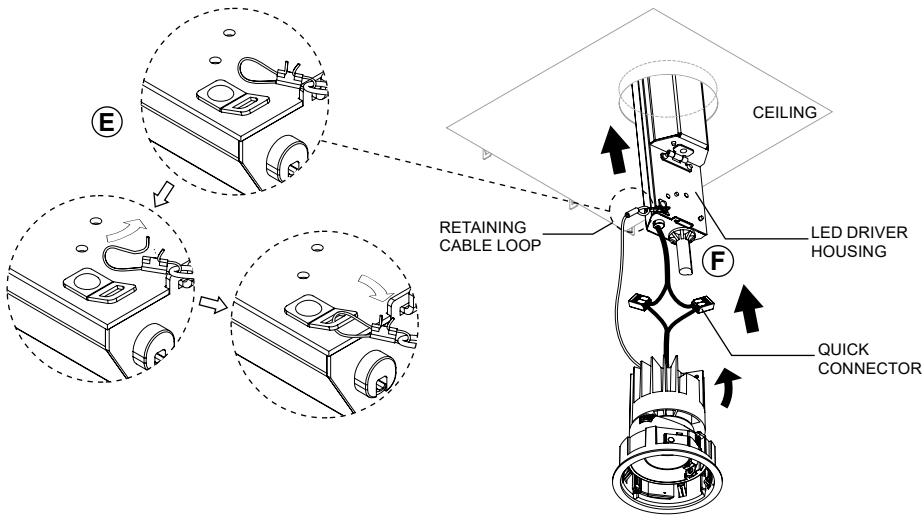
E. HOOK THE RETAINING CABLE'S LOOP ON THE LED DRIVER HOUSING.

F. CONNECT THE FIXTURE TO THE DRIVER USING THE QUICK CONNECTORS.

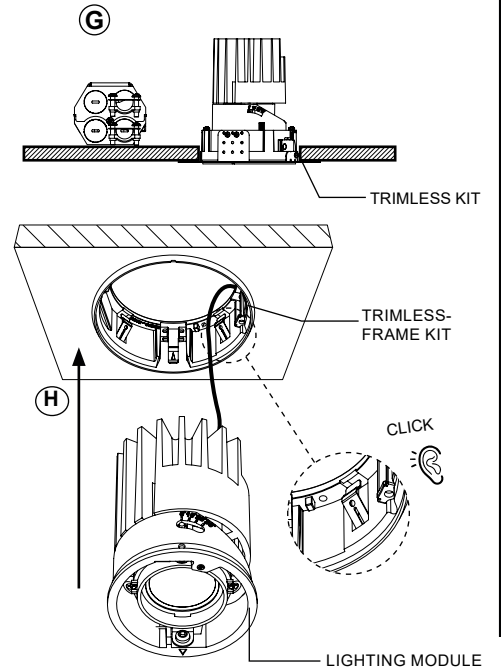
G. STARTING WITH THE CONNECTION BOX, CAREFULLY INSERT THE ASSEMBLY THROUGH THE FRAME KIT INTO THE CEILING.

H. INSERT LIGHTING MODULE INTO THE FRAME KIT UNTIL IT CLICKS IN PLACE.

E + F



G + H

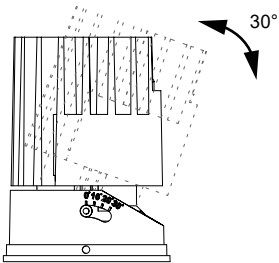


OPTICAL ADJUSTMENT AND FINAL ASSEMBLY

A. THE OPTICAL ORIENTATION CAN CHANGE FOR 30°, WITH MANUAL ADJUSTMENT.

B. INSERT THE BAFFLE INTO THE TRIM UNTIL IT CLICKS INTO PLACE.

A



B

