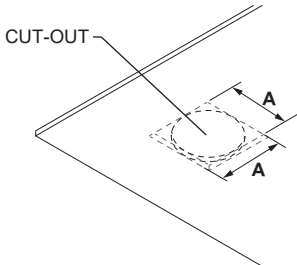


IMPORTANT - READ CAREFULLY BEFORE INSTALLING FIXTURE. RETAIN THESE INSTRUCTIONS FOR FUTURE REFERENCE. THIS PRODUCT MUST BE INSTALLED IN ACCORDANCE WITH THE NATIONAL ELECTRICAL CODE AND ALL APPLICABLE LOCAL CODES, BY A PERSON FAMILIAR WITH THE CONSTRUCTION AND OPERATION OF THE PRODUCT, AND THE HAZARDS INVOLVED. PROPER GROUNDING IS REQUIRED FOR SAFETY.

REMODEL INSTALLATION (RF)

A- MAKE THE CUT-OUT OPENING (SEE DIMENSIONS BELOW).

A



Model	Shape	Mounting	Trimless frame	Cut-out dimensions (A)	Ceiling Thickness	Clearance (H)
LOGP3R	Round	Trim		Ø 2¾" (Ø 70mm)	¾" - 1" (5 - 25mm)	6¾" (160mm)
		Trimless Mud	TK-LOGP3RL-RF	Ø 2⅞" (Ø 73mm)	¾" - 1" (5 - 25mm)	7¾" (197mm)
		Trimless Millwork	TK-LOGP3RM-RF	Ø 2⅞" (Ø 73mm)	⅞" - ⅞" (2 - 22.5mm)	7¾" (197mm)
LOGP3S	Square	Trim		2⅞" x 2⅞" (68 x 68mm)	⅞" - 1" (1 - 25mm)	6¾" (160mm)
		Trimless Mud	TK-LOGP3SL-RF	2¾" x 2¾" (70 x 70mm)	⅞" - 1" (1 - 25mm)	7¾" (197mm)
		Trimless Millwork	TK-LOGP3SM-RF	2⅞" x 2⅞" (68 x 68mm)	½" - ⅞" (12.5 - 22.5mm)	7¾" (197mm)

TRIMLESS KIT INSTALLATION (if applicable)

ROUND TRIMLESS MUD:

- A - BEND AND HOLD THE SPRINGS AGAINST THE TRIM KIT.
- B - ROTATE IN THE SPECIFIED DIRECTION (**SEE BELOW**) WHILE PUSHING UPWARD TO INSERT THE TRIM KIT INTO THE CEILING.
- C - SECURE THE TRIMLESS KIT TO THE CEILING USING (2x) #6 SCREWS (**NOT INCLUDED**).
- D - FINISH THE ASSEMBLY BY PLASTERING, SANDING AND PAINTING.

SQUARE TRIMLESS MUD:

- A - CHOOSE THE BRACKET DIRECTION (VERTICAL OR HORIZONTAL) DEPENDING ON THE CEILING THICKNESS.
- B - INSERT THE TRIMLESS KIT INTO THE CEILING. TO HOLD THE KIT IN THE CEILING, ADJUST THE (2x) FIXATION BRACKET ADJUSTMENT SCREWS WITH A DRILL (**RECOMMENDED**).
- * THE BRACKETS WILL OPEN AUTOMATICALLY WHILE SCREWING.
- ** FOR BETTER FIXATION (IF NEEDED), SECURE THE TRIMLESS KIT TO THE CEILING USING (2x) #6 SCREWS (**NOT INCLUDED**)
- C - FINISH THE ASSEMBLY BY PLASTERING, SANDING AND PAINTING.

ROUND / SQUARE TRIMLESS MILLWORK:

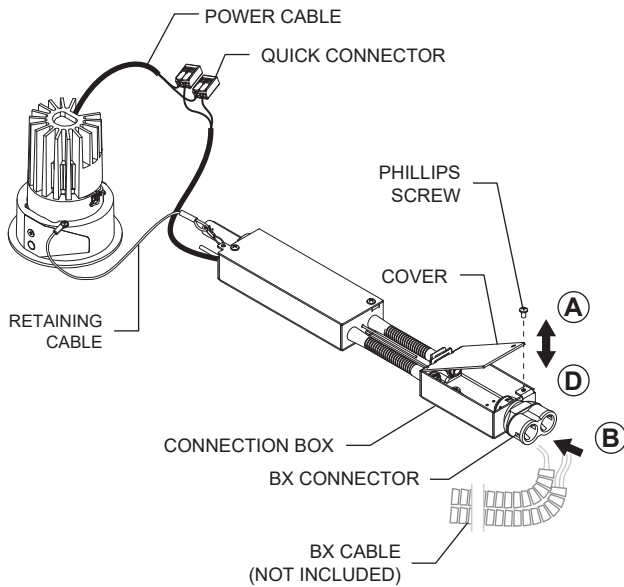
- A - ADJUST BRACKET POSITION DEPENDING ON THE CEILING THICKNESS.
- B - POSITION THE TRIMLESS KIT IN THE CEILING
- C - SECURE THE TRIMLESS KIT TO THE CEILING USING (2x) #6 SCREWS (**NOT INCLUDED**).
- D - FINISH THE ASSEMBLY BY PLASTERING, SANDING AND PAINTING.

ROUND TRIMLESS MUD	SQUARE TRIMLESS MUD	ROUND TRIMLESS MILLWORK	SQUARE TRIMLESS MILLWORK
<p>SPRINGS FRAME KIT</p>	<p>2x 2x</p> <p>VERTICAL FOR CEILING THICKNESS ⅞" - ½" (1 - 12.5mm) HORIZONTAL FOR CEILING THICKNESS ½" - 1" (12.5 - 25mm)</p>	<p>CEILING THICKNESS ⅞" - ⅞" (2 - 22.5mm)</p>	<p>CEILING THICKNESS ½" - ⅞" (12.5 - 22.5mm)</p>
	<p>FIXATION BRACKETS (2x) FIXATION BRACKET ADJUSTMENT SCREWS</p>		
<p>#6 SCREWS (NOT INCLUDED)</p>	<p>** #6 SCREWS (NOT INCLUDED)</p>	<p>#6 SCREWS (NOT INCLUDED) 2x</p>	<p>#6 SCREWS (NOT INCLUDED) 2x</p>

**FIXTURE CONNECTION
INTEGRAL DRIVER (120V / 277V)
DIMMING TRIAC/ELV (LTE), 0-10V (D10), DALI (DA), CASAMBI (CAS)**

- A- REMOVE THE CONNECTION BOX PHILLIPS SCREW (INCLUDED) AND REMOVE THE COVER.
- B- INSTALL A BX CABLE (NOT INCLUDED) USING A BX CONNECTOR (INCLUDED). LEAVE AT LEAST 6" OF WIRE IN THE BOX.
- C- MAKE ALL THE NECESSARY CONNECTIONS (SEE WIRING DIAGRAM) USING QUICK CONNECTORS (INCLUDED) OR CONNECTION BLOCK. ***DAISY CHAIN READY FOR LTE DIMMING ONLY.**
- D- CLOSE THE CONNECTION BOX COVER AND TIGHTEN THE PHILLIPS SCREW..

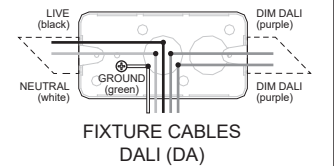
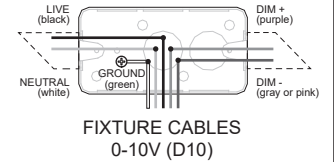
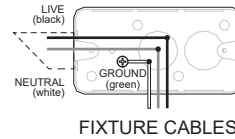
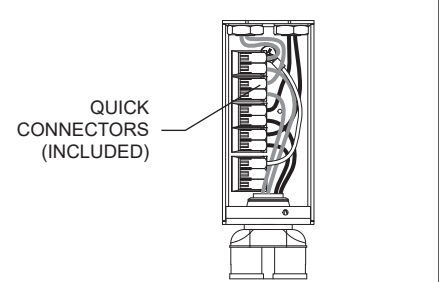
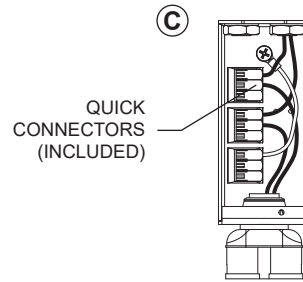
A + B + C + D



WIRING DIAGRAM

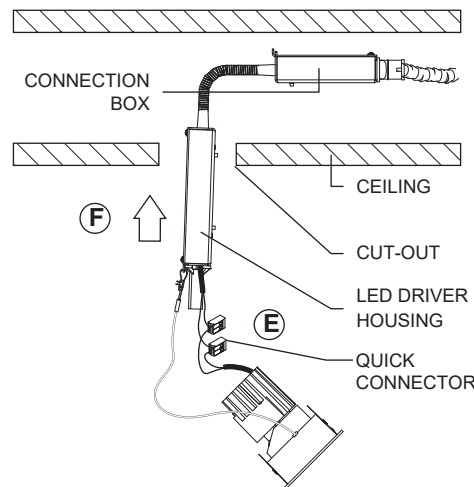
**DIMMING TRIAC/ELV (LTE)
120V ONLY
DAISY CHAIN READY**

**DIMMING 0-10V (D10) & DALI (DA)
120-277V
NO DAISY CHAIN**



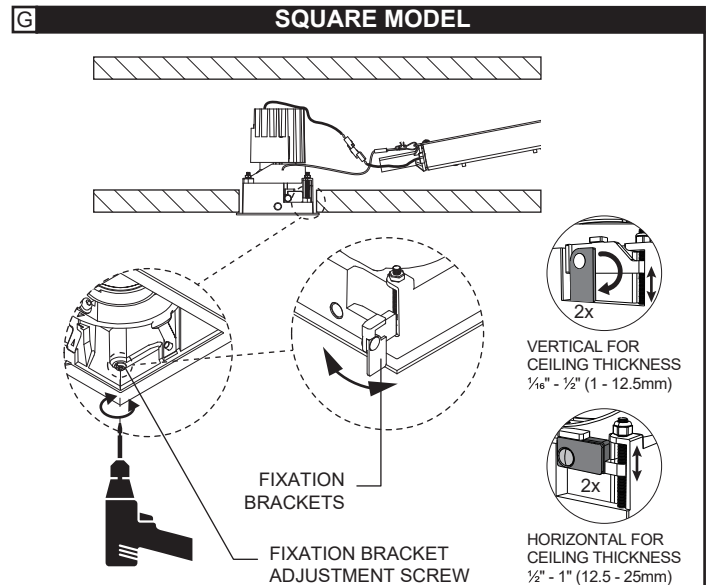
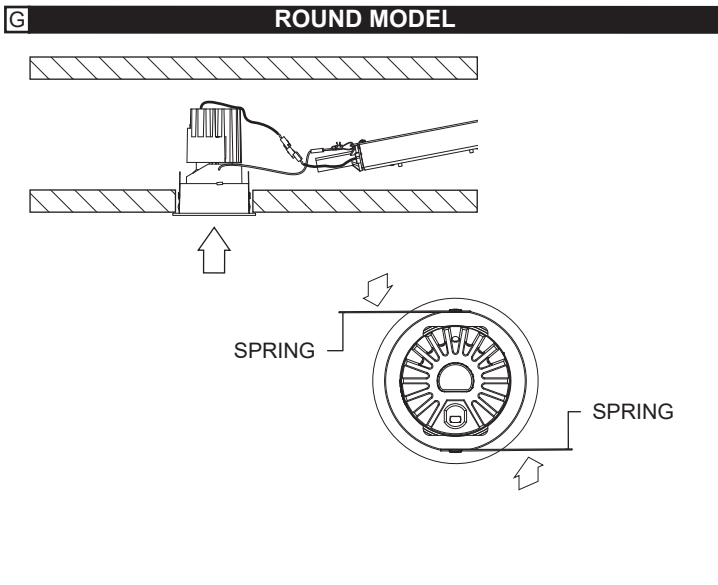
- E- CONNECT THE FIXTURE TO THE DRIVER USING THE QUICK CONNECTOR.
- F- STARTING WITH THE CONNECTION BOX, CAREFULLY INSERT THE ASSEMBLY THROUGH THE CUT-OUT.

E + F



G- BEND AND HOLD SPRINGS AGAINST FIXTURE BODY AND ROTATE IN SPECIFIED DIRECTION (SEE BELOW) WHILE PUSHING UPWARD TO INSERT THE FIXTURE INTO THE CEILING.

G- INSERT FIXTURE INTO THE CEILING. TO SECURE THE FIXTURE INSIDE THE CEILING, SCREW THE FIXATION BRACKET ADJUSTMENT SCREW (2) WITH A DRILL (RECOMMENDED). FIXATION BRACKETS WILL OPEN AUTOMATICALLY WHILE SCREWING.



TRIMLESS - REMODEL (RF)

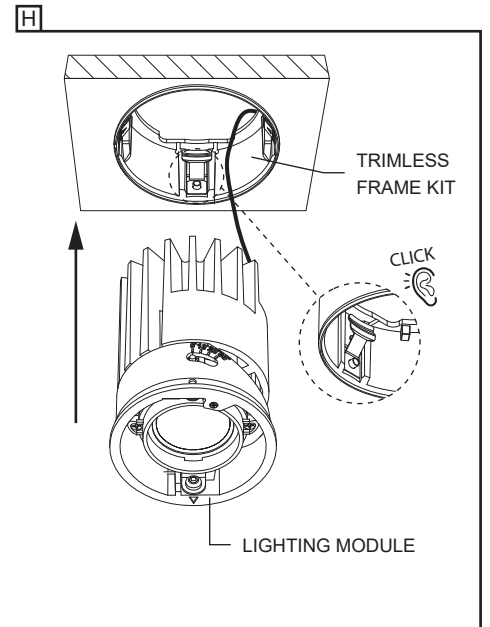
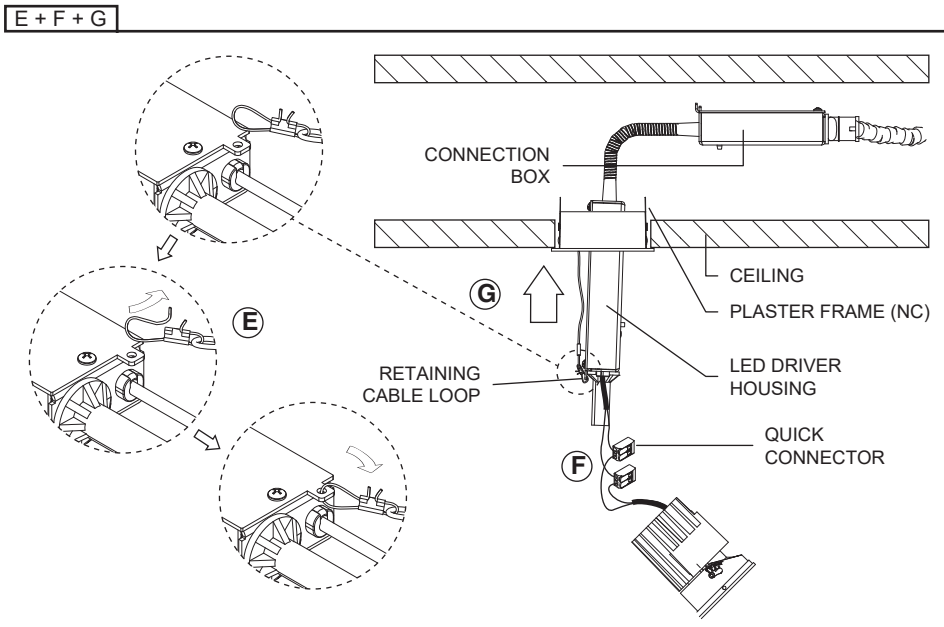
* FOLLOWING STEPS **A** TO **D** FROM PREVIOUS PAGE:

E- HOOK THE RETAINING CABLE'S LOOP ON THE LED DRIVER HOUSING.

F- CONNECT THE FIXTURE TO THE DRIVER USING THE QUICK CONNECTORS.

G- STARTING WITH THE CONNECTION BOX, CAREFULLY INSERT THE ASSEMBLY THROUGH THE FRAME KIT INTO THE CEILING.

H- INSERT LIGHTING MODULE INTO THE FRAME KIT UNTIL IT CLICKS IN PLACE.



OPTICAL ADJUSTMENT AND FINAL ASSEMBLY

- A- THE OPTICAL ORIENTATION CAN CHANGE FOR 30°, WITH MANUAL ADJUSTEMENT.
- B- INSERT THE BAFFLE INTO THE TRIM UNTIL IT CLICKS INTO PLACE.

